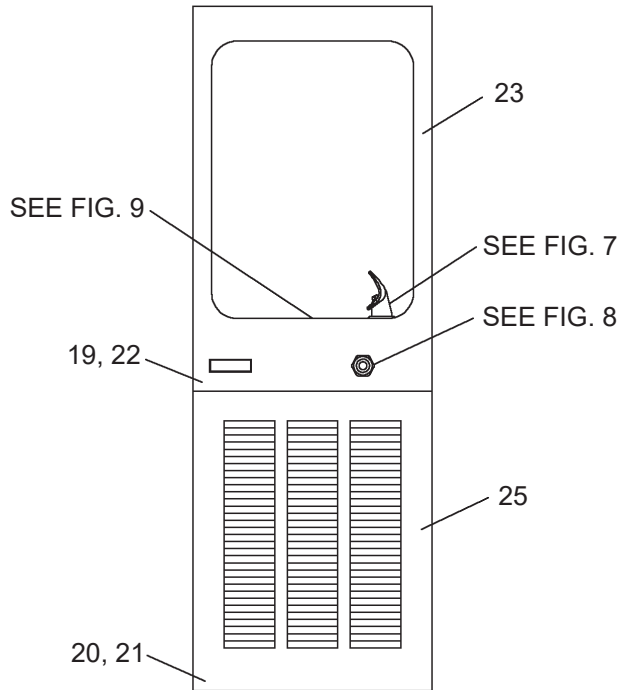


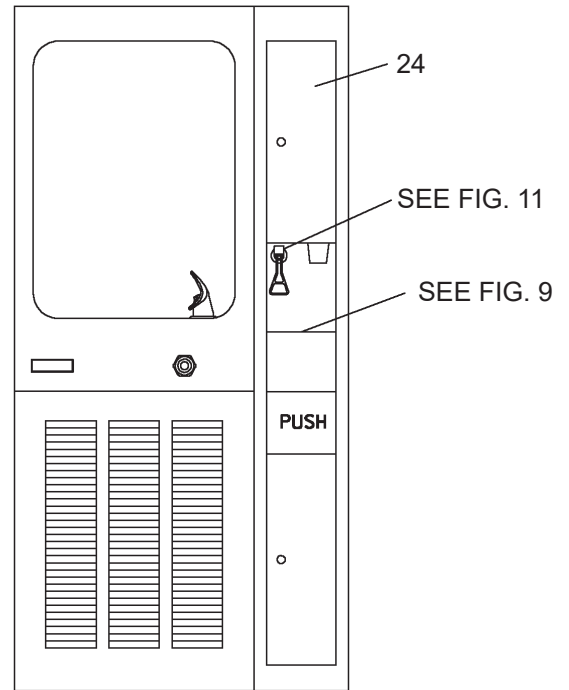
Installation/Care/Use Manual

Fully Recessed Refrigerated Fountain with FLEXI-GUARD®

USES HFC-134A REFRIGERANT



EFRC8C, EFRC12C



EFRC8CDC, EFRC12CDC

Installer

To assure you install this model easily and correctly, PLEASE READ THESE SIMPLE INSTRUCTIONS BEFORE STARTING THE INSTALLATION. CHECK YOUR INSTALLATION FOR COMPLIANCE WITH PLUMBING, ELECTRICAL AND OTHER APPLICABLE CODES. After installation, leave these instructions inside the fountain for future reference.

IMPORTANT

ALL SERVICE TO BE PERFORMED BY AN AUTHORIZED SERVICE PERSON

IMPORTANT! INSTALLER PLEASE NOTE.

THE GROUNDING OF ELECTRICAL EQUIPMENT SUCH AS TELEPHONE, COMPUTERS, ETC. TO WATER LINES IS A COMMON PROCEDURE. THIS GROUNDING MAY BE IN THE BUILDING OR MAY OCCUR AWAY FROM THE BUILDING. THIS GROUNDING CAN CAUSE ELECTRICAL FEEDBACK INTO A FOUNTAIN, CREATING AN ELECTROLYSIS WHICH CAUSES A METALLIC TASTE OR AN INCREASE IN THE METAL CONTENT OF THE WATER. THIS CONDITION IS AVOIDABLE BY USING THE PROPER MATERIALS AS INDICATED. ANY DRAIN FITTINGS PROVIDED BY THE INSTALLER SHOULD BE MADE OF PLASTIC TO ELECTRICALLY ISOLATE THE FOUNTAIN FROM THE BUILDING PLUMBING SYSTEM.

EFRC8C/EFRC12C ROUGH-IN

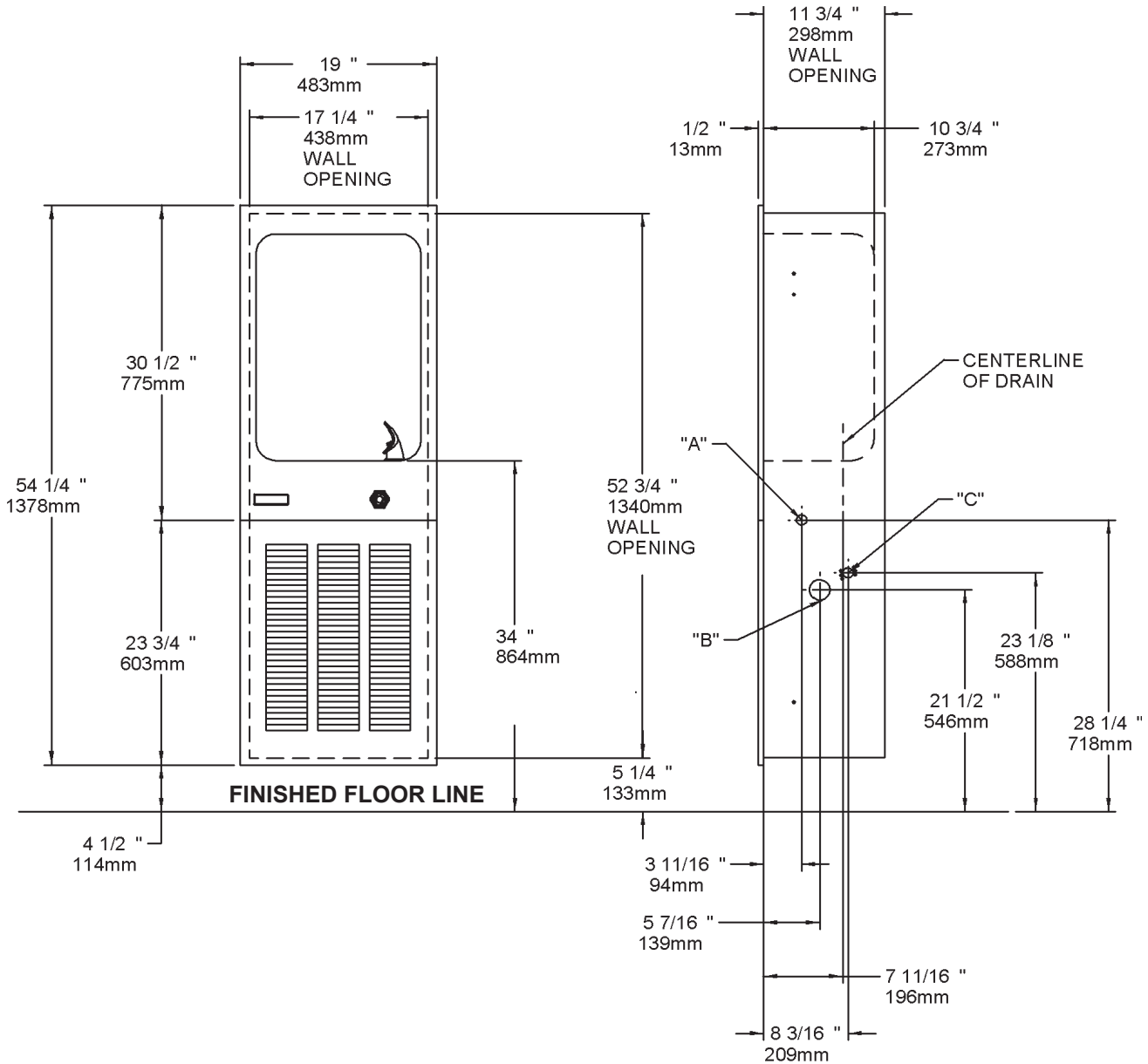


FIG. 1

LEGEND:

A = RECOMMENDED WATER SUPPLY LOCATION 3/8" O.D. UNPLATED COPPER TUBE CONNECT STUB 1-1/2" (38mm) OUT FROM WALL, SHUT OFF BY OTHERS (BOTH SIDES).

B = RECOMMENDED LOCATION FOR WASTE OUTLET 1-1/4" O.D. DRAIN (BOTH SIDES).

C = ELECTRICAL SUPPLY LOCATION (BOTH SIDES).

NOTES:

1. THERE ARE HOLES AND KNOCKOUTS PROVIDED ON EACH SIDE OF THE MOUNTING BOX THAT ARE INTENDED TO BE USED TO MOUNT THE BOX. USE SIX SCREWS OR BOLTS (NOT PROVIDED).

EFRC8CDC/EFRC12CDC ROUGH-IN

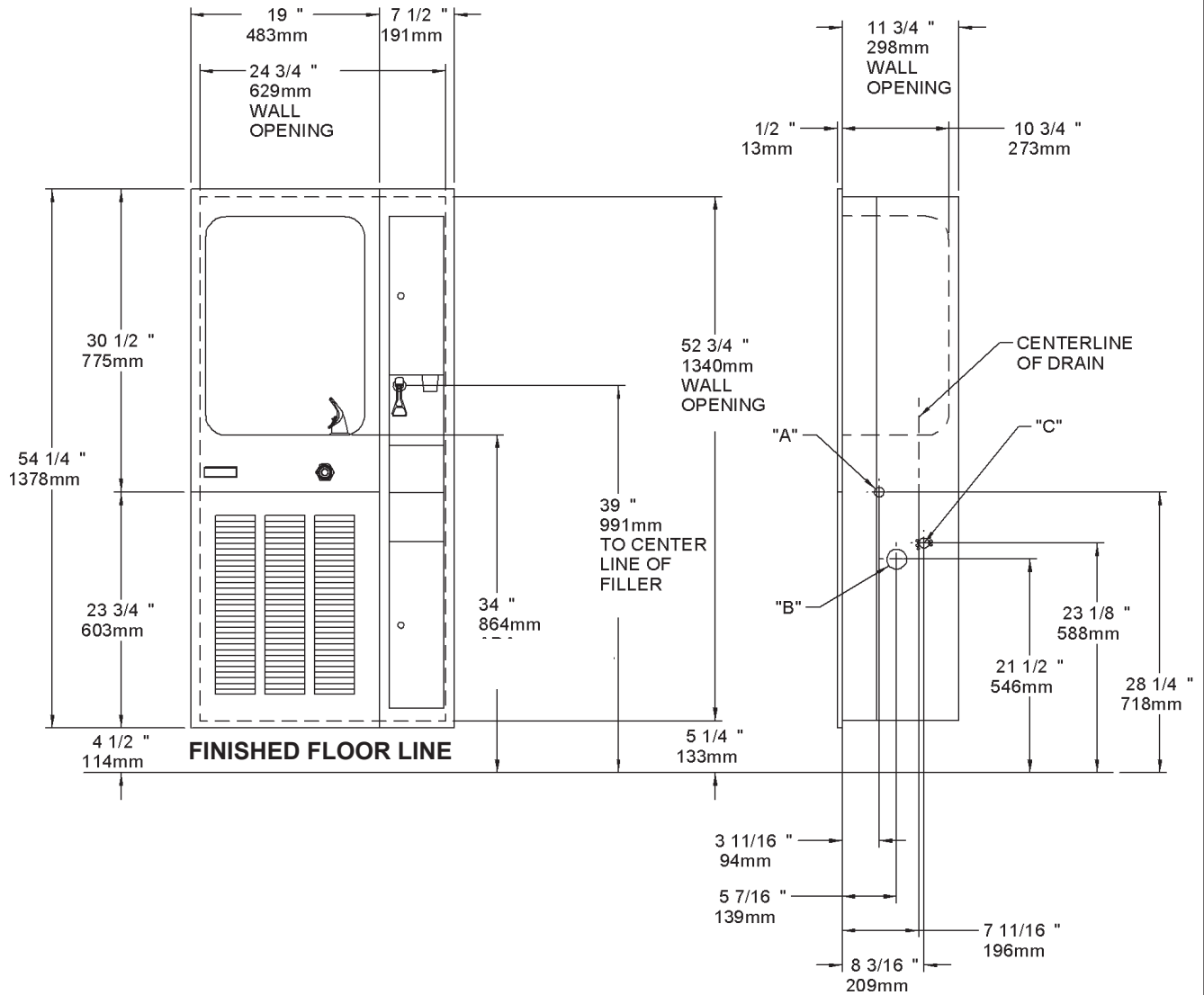


FIG. 2

LEGEND:

A = RECOMMENDED WATER SUPPLY LOCATION 3/8" O.D. UNPLATED COPPER TUBE CONNECT STUB 1-1/2" (38mm) OUT FROM WALL, SHUT OFF BY OTHERS (LEFT SIDE ONLY).

B = RECOMMENDED LOCATION FOR WASTE OUTLET 1-1/4" O.D. DRAIN (LEFT SIDE ONLY).

C = ELECTRICAL SUPPLY LOCATION (BOTH SIDES).

***WATER AND DRAIN CONNECTIONS MUST BE MADE FROM LEFT SIDE ONLY.**

NOTES:

1. THERE ARE HOLES AND KNOCKOUTS PROVIDED ON EACH SIDE OF THE MOUNTING BOX THAT ARE INTENDED TO BE USED TO MOUNT THE BOX. USE SIX SCREWS OR BOLTS (NOT PROVIDED).

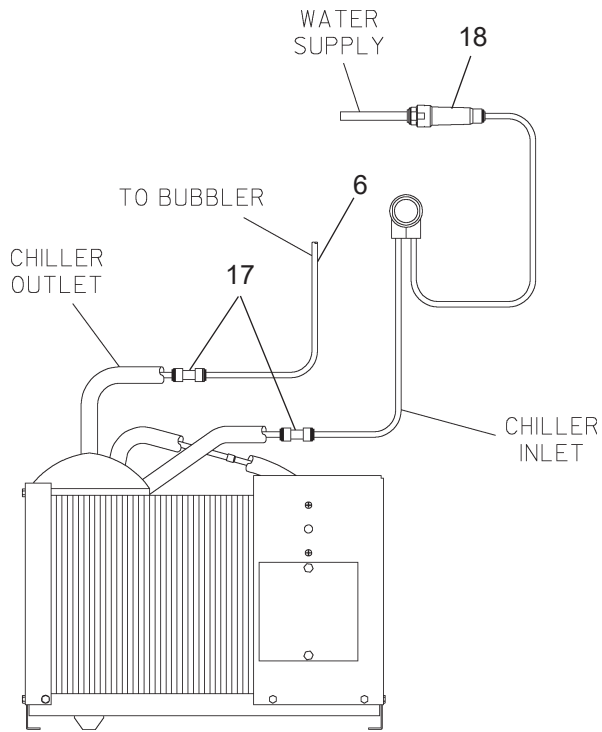
Note: Danger! Electric shock hazard. Disconnect power before servicing unit.

INSTALLATION INSTRUCTIONS

1. **Remove** shipping brace from mounting box and discard.
2. **Fasten** mounting box into wall cutout using screws or bolts (provided by others) through the holes or knock outs provided on each side of the mounting box. (See Fig. 1 or 2)
3. **Install** fountain body to mounting box using #10 x .63" (16mm) PHSM screws and large clips provided.
4. **Place** refrigeration package into mounting box and connect water lines. (See Page 5 for details)
5. **Water** inlet is 3/8" O.D. and waste tube is 1-1/4" O.D. Contractor is to supply waste trap and service stop valve in accordance with local codes.
6. **Connecting** lines to be unplated copper and thoroughly flushed to remove all foreign matter before connecting to refrigeration package. The furnished strainer (Item 18) should be added to the supply line.
7. **Connect** the refrigeration package to the supply line service stop valve. Connect supplied fountain (internal plumbing) tubes as shown in figures 3, 4, 5, or 6. Remove any burrs from water tubes before inserting into fittings. (See Figs. 13 and 14) **DO NOT SOLDER TUBES INSERTED INTO THE STRAINER AS DAMAGE TO THE O-RINGS MAY RESULT.**
8. **Electrical:** Insure power supply is identical in voltage, hertz, and phase to that specified on the refrigeration package serial plate. Never wire compressor directly to the power supply.
9. **Turn** water supply on and check thoroughly for leaks.
10. **Release** air from tank by depressing push button; a steady stream of water assures all air is removed.
11. **Re-check** for leaks.
12. **Stream** height is factory set at 35 PSI. If supply pressure varies greatly from this, turn adjustment screw on regulator (Fig. 8). Clockwise adjustment will raise the stream height and counter-clockwise adjustment will lower stream height. For best adjustment, stream should hit basin approximately 6-1/2" from the bubbler.
13. **Rotate** fan blade on refrigeration package to insure proper clearance and free fan action.
14. **Connect** power supply.
15. **Install** grill using #8 x 1.00" (25mm) PH screws and small clips provided.

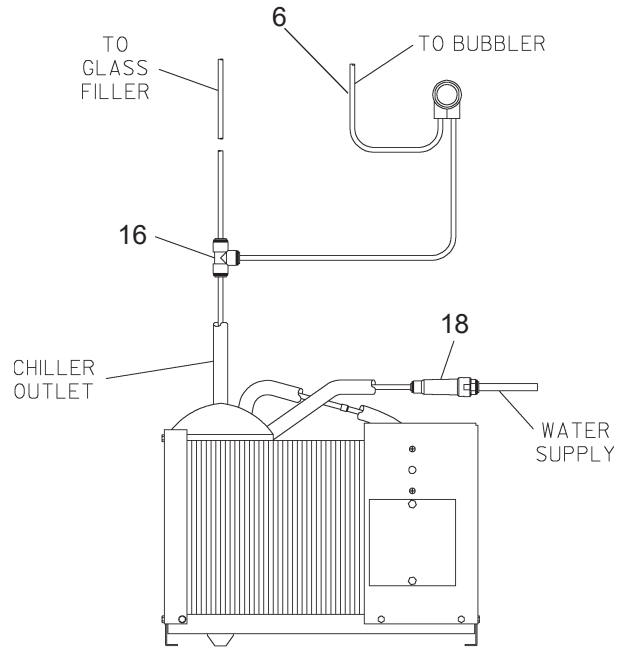
TROUBLE SHOOTING AND MAINTENANCE

1. **Orifice Assy:** Mineral deposits on orifice can cause water flow to spurt or not regulate. Mineral deposits may be removed from orifice with a small round file not over 1/8 diameter or a small diameter wire.
CAUTION: Do not file or cut orifice materials.
2. **Actuation of Quick Connect Water Fittings:** Cooler is provided with lead-free connectors which utilize an o-ring water seal. To remove tubing from the fitting, relieve water pressure, push in on the gray collar while pulling on the tubing (See Fig. 13). To insert tubing, push tube straight into the fitting until it reaches a positive stop, approximately 3/4".



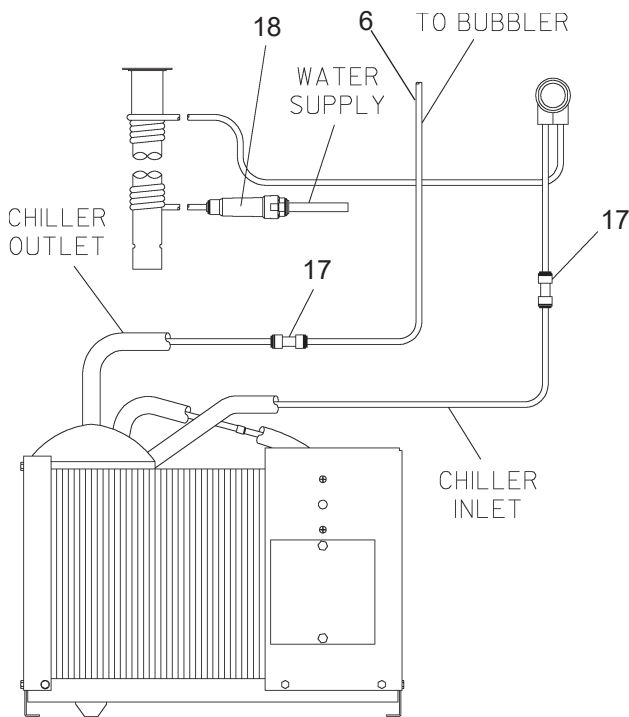
EFRC8C

FIG. 3



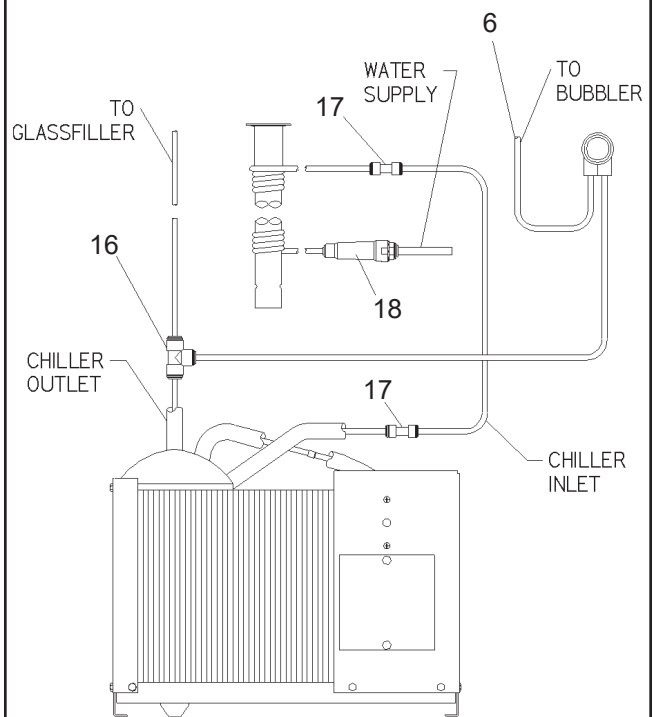
EFRC8C W/GLASS FILLER

FIG. 4



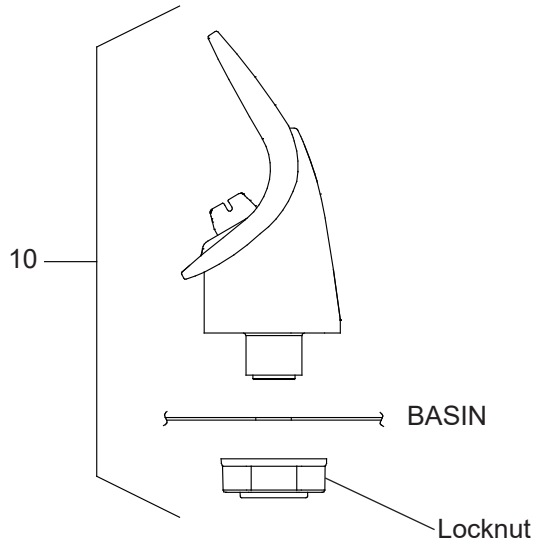
EFRC12C

FIG. 5



EFRC12C W/GLASS FILLER

FIG. 6



NOTE: WHEN INSTALLING REPLACEMENT BUBBLER AND PEDESTAL, TIGHEN LOCKNUT ONLY TO HOLD PARTS SNUG IN POSITION. **DO NOT OVER TIGHTEN.**

FIG. 7

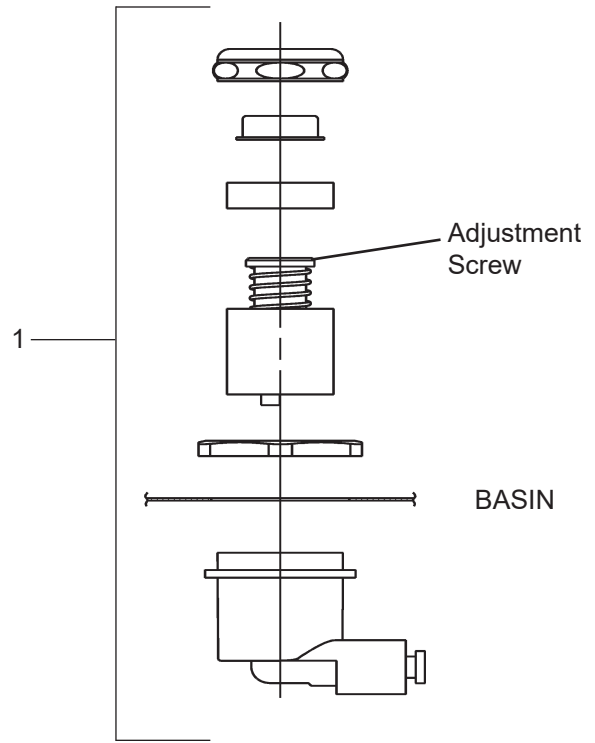


FIG. 8

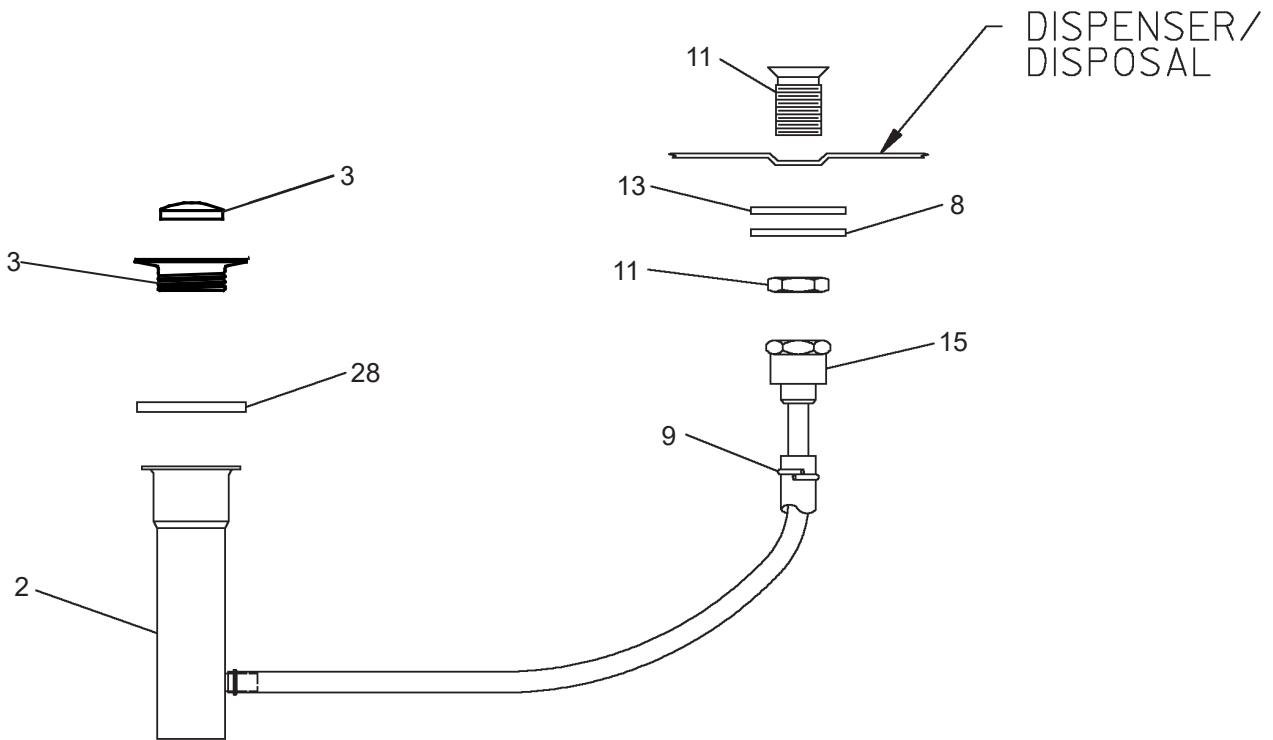


FIG. 9

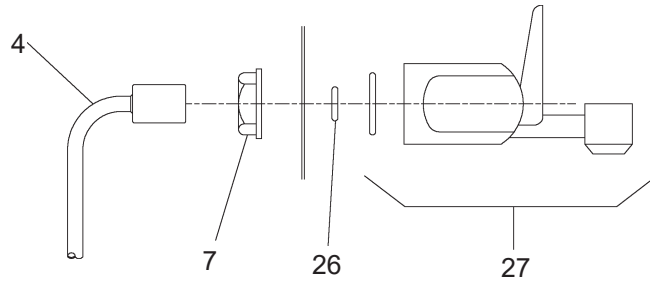


FIG. 10

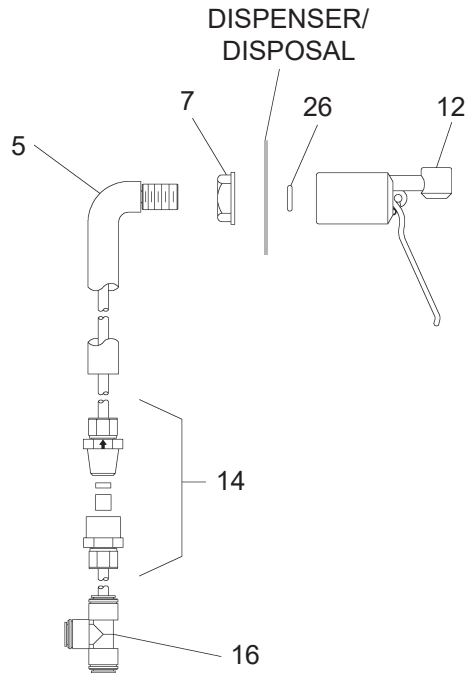
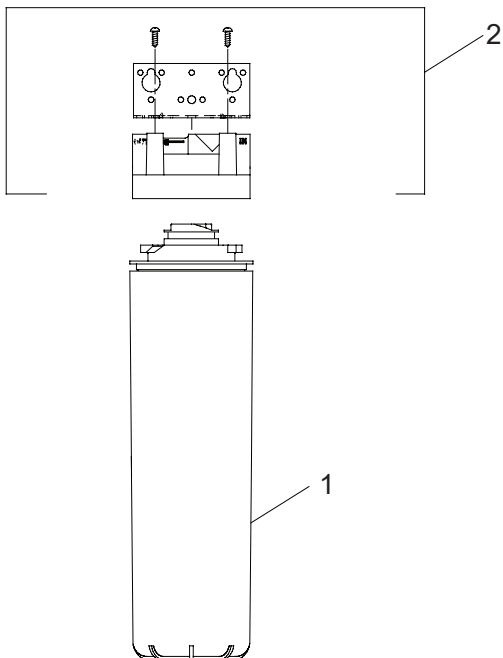


FIG. 11



Scan for trouble shooting and to sign up for auto replenishment of authentic Elkay filters.

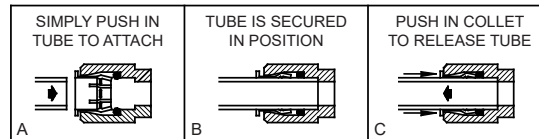
FIG. 12

FILTER PARTS LIST (See Fig. 12)		
ITEM NO.	PART NO.	DESCRIPTION
1	51299C	Filter Assy-1500 Gal.
2	51469C	Assy -Filter & Bracket includes Filtr Head/Mtg Bkt/ Screws

PARTS LIST

ITEM NO.	PART NO.	DESCRIPTION
1	98536C	Kit - Push Button Assy
2	0000000931	Tailpipe - EFRC8, EFRC8F
	40301C	Tailpipe - EFRC8CD
	40480C	Precooler - EFRC12, EFRC12F
	40561C	Precooler - EFRC12CD
3	40575C	Strainer/Ferrule Assy
4	62084C	Tube Assy - GF
5	62088C	Tube Assy - GF
6	56092C	Poly Tubing 48"(Cut to Length)
7	75580C	Locknut
8	70151C	Flat Washer Steel
9	70234C	Washer
10	56073C	Bubbler Assy
11	40299C	Drain - 1/2"
12	40562C	Glass Filler
13	50258C	Flat Washer Rubber
14	50967C	Flow Regulator Assy
15	61099C	Connector Assy
16	1000001994	Kit - Tee 1/4 (3 Pack)
17	1000002162	Kit - Union 1/4 (3 Pack)
18	55996C	Strainer
19	110669443890	Screw - #10 x .63 PHSM
20	74070030	Screw - #8 x 1.00 PH
21	74070032	Speed Nut - #8
22	70567C	Clip - Speed
23	55001084	Fountain
	EFRCDF	Fountain - GF
24	55000881	Dispenser/Disposal
25	EG23	Grill
26	31525028	O-ring
27	40493C	Glass Filler
28	50074C	Gasket

OPERATION OF QUICK CONNECT FITTINGS



PUSHING TUBE IN BEFORE PULLING IT OUT HELPS TO RELEASE TUBE

NOTE: REMOVE ANY BURRS FROM WATER TUBES BEFORE INSERTING INTO FITTINGS.

FIG. 13

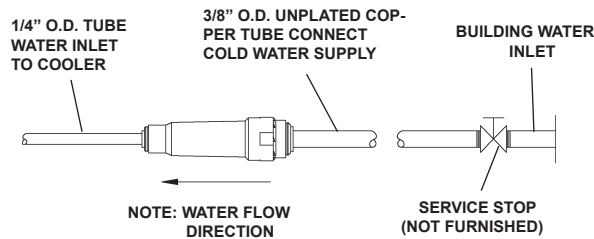


FIG. 14