

PRODUCT SPECIFICATIONS

Stainless Steel 37" x 19" x 10" 18 Gauge Three Drop-In
Compartment Sink. Sink is manufactured from 18 gauge 300 series
Stainless Steel with a #4 Finish , Center drain placement.

Material:	300 series Stainless Steel
Finish:	#4 Finish
Gauge:	18
Weight Without Packaging:	22
Number of Bowls:	3
Sink Dimensions:	37" x 19" x 10"
Bowl 1 Dimensions:	10" x 14" x 10"
Bowl 2 Dimensions:	10" x 14" x 10"
Bowl 3 Dimensions:	10" x 14" x 10"
Drain Size:	3-1/2" (89mm)
Drain Location:	Center
Mounting Hardware:	Included

Special Note: Requires Single Deck Mount Faucet



Included with Product: Faucet LK406AT10L2 and strainer

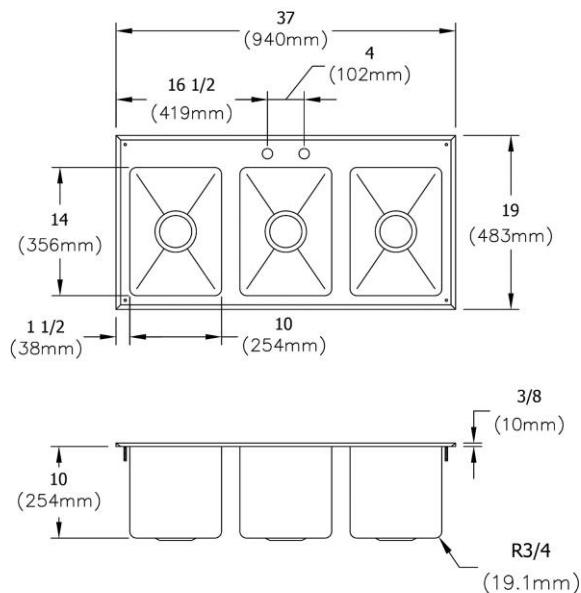
A Century of Tradition and Quality.

For more than 100 years, Elkay has been making innovative products and providing exceptional customer care. We take pride in offering plumbing products that make life easier, inspire change and leave the world a better place.

Product Compliance: ASME A112.19.3/CSA B45.4
NSF 2

Faucet: ASME A112.18.1/CSA B125.1
NSF 372 (lead free)
NSF 61 (Q≤1)

Accessory: ASME A112.18.2/CSA B125.2



PART: _____ QTY: _____

PROJECT: _____

CONTACT: _____

DATE: _____

NOTES: _____

APPROVAL: _____

In keeping with our policy of continuing product improvement, Elkay reserves the right to change product specifications without notice. Please visit elkay.com for the most current version of Elkay product specification sheets. This specification describes an Elkay product with design, quality, and functional benefits to the user. When making a comparison of other producers' offerings, be certain these features are not overlooked.

In keeping with our policy of continuing product improvement, Elkay reserves the right to change product specifications without notice. Please visit elkay.com for the most current version of Elkay product specification sheets. This specification describes an Elkay product with design, quality, and functional benefits to the user. When making a comparison of other producers' offerings, be certain these features are not overlooked.