

**PRODUCT SPECIFICATIONS**

ezH2O<sup>®</sup> Vandal Resistant Mechanical Bottle Filling Station with Bi-Level Integral Soft Sides<sup>®</sup> Fountain Non-Filtered Non-Refrigerated Stainless. Features shall include Ambient Water, Includes Back Plate, Laminar Flow, Mechanically Activated, New Offering, Vandal Resistant. Furnished with Vandal Resistant bubbler. Mechanical Bottle Filler Button with Mechanical Front Bubbler Button activation. Product shall be Wall Mount (In-Wall Frame/Plate), for Indoor/Outdoor applications, serving 2 station(s).

<b>Special Features:</b>	Ambient Water, Includes Back Plate, Laminar Flow, Mechanically Activated, New Offering, Vandal Resistant
<b>Finish:</b>	Stainless Steel
<b>Power:</b>	No Electrical Required
<b>Bubbler Style:</b>	Vandal Resistant
<b>Activation by:</b>	Mechanical Bottle Filler Button with Mechanical Front Bubbler Button
<b>Mounting Type:</b>	Wall Mount (In-Wall Frame/Plate)
<b>Chilling Capacity:</b>	Non-refrigerated
<b>Dimensions (L x W x H):</b>	38-1/2" x 19-3/8" x 34-5/8"
<b>Installation Location:</b>	Indoor/Outdoor
<b>No. of Stations Served:</b>	2

\*\*When used in non-temperature controlled environments, unit(s) must be adequately winterized and/or protected from extreme heat to prevent damage where climates dictate.

**Special Note: Access Panel - (Part number ACCESS12X38-5) is recommended for installations with no rear access**

- Mechanically-Activated unit continues to supply water in event of service disruptions.
- Laminar flow provides clean fill with minimal splash.



**Included with Product:** Bottle Filler (EBWDCM0SSC), Fountain Only (EDFPV217LWS-NF), Frame (MFWS202)

**▼ Ships in multiple boxes.**

A Century of Tradition and Quality. For more than 100 years, Elkay has been making innovative products and providing exceptional customer care. We take pride in offering plumbing products that make life easier, inspire change and leave the world a better place.




[Installation Instructions \(PDF\) - 2000001276](#)

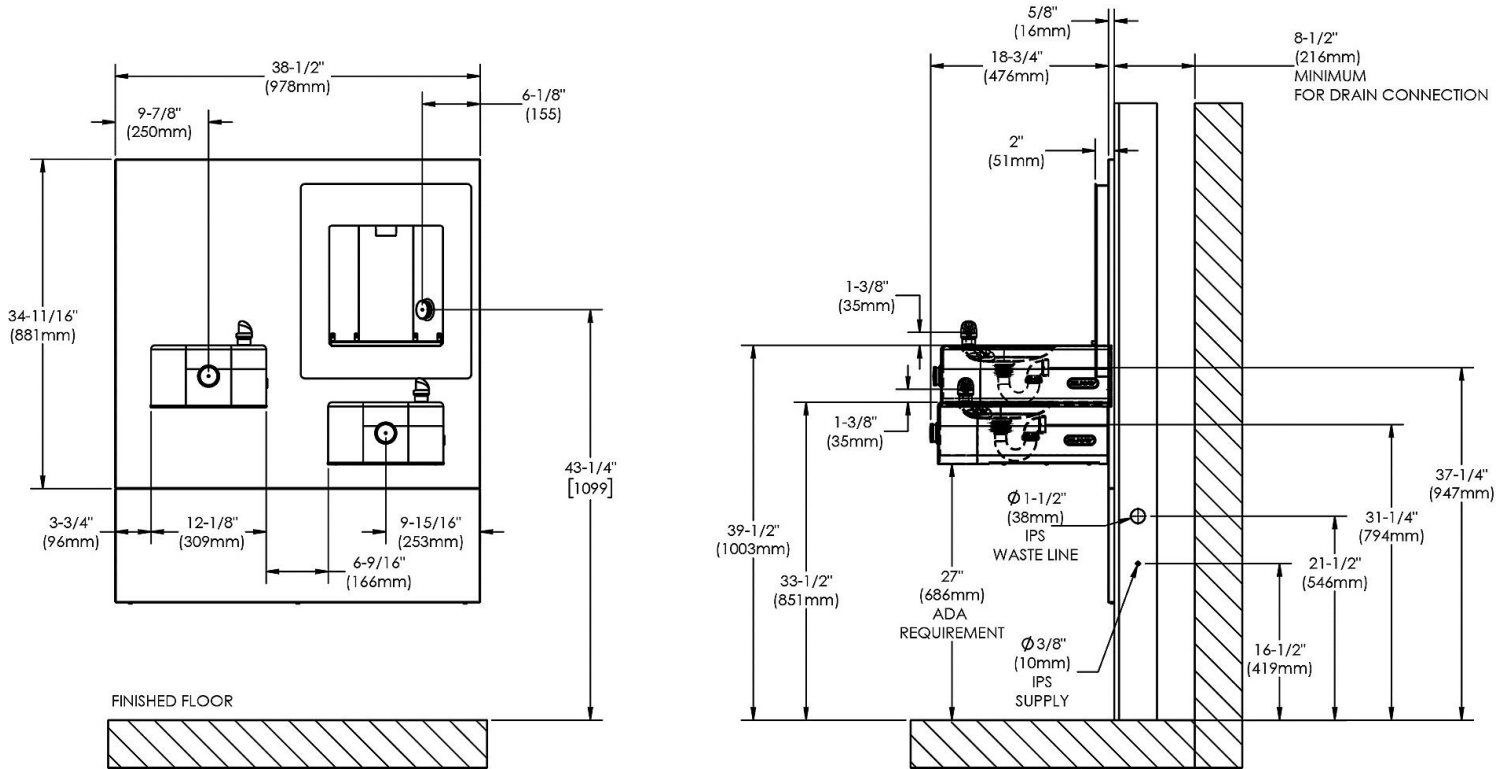
Water Systems are warranted for 12 months from date of installation. **Warranty pertains to drinking water applications only. Non-drinking water applications are not covered under warranty.**

[Warranty \(PDF\)](#)

PART: \_\_\_\_\_ QTY: \_\_\_\_\_  
 PROJECT: \_\_\_\_\_  
 CONTACT: \_\_\_\_\_  
 DATE: \_\_\_\_\_  
 NOTES: \_\_\_\_\_  
 APPROVAL: \_\_\_\_\_

*In keeping with our policy of continuing product improvement, Elkay reserves the right to change product specifications without notice. Please visit elkay.com for the most current version of Elkay product specification sheets. This specification describes an Elkay product with design, quality, and functional benefits to the user. When making a comparison of other producers' offerings, be certain these features are not overlooked.*

Optional Accessories		
<a href="#">ACCESS12X38-5</a>	Stainless Steel Access Panel for Bi-Level Architectural Fountains <a href="#">Spec Sheet (PDF)</a>	
<a href="#">97258C</a>	Cane Apron for Contour & Soft Sides Models Black <a href="#">Spec Sheet (PDF)</a>	
<a href="#">EWF3000</a>	Elkay® Universal Filtration Kit (3000-Gallon) <a href="#">Spec Sheet (PDF)</a>	



In keeping with our policy of continuing product improvement, Elkay reserves the right to change product specifications without notice. Please visit [elkay.com](http://elkay.com) for the most current version of Elkay product specification sheets. This specification describes an Elkay product with design, quality, and functional benefits to the user. When making a comparison of other producers' offerings, be certain these features are not overlooked.