

**PRODUCT SPECIFICATIONS**

Elkay CuVerro Antimicrobial Copper 19" x 18" x 5-1/2" Single Bowl Drop-in ADA Sink. Sink is formed from 18 gauge CuVerro<sup>®</sup> Antimicrobial Copper with a Lustrous Satin finish, Rear Center drain placement, and Bottom only pads.

<b>Installation Type:</b>	Drop-in
<b>Material:</b>	CuVerro Antimicrobial Copper
<b>Finish:</b>	Lustrous Satin
<b>Gauge:</b>	18
<b>Sound Deadening:</b>	Bottom only pads
<b>Number of Bowls:</b>	1
<b>Sink Dimensions:</b>	19" x 18" x 5-1/2"
<b>Bowl 1 Dimensions:</b>	16" x 11-1/2" x 5-3/8"
<b>Drain Size:</b>	3-1/2" (89mm)
<b>Drain Location:</b>	Rear Center
<b>Minimum Cabinet Size:</b>	24"
<b>Mounting Hardware:</b>	Part # 64090012 included for countertops up to 3/4" (19mm) thick
<b>Template Included:</b>	No
<b>Cutout Template #:</b>	<a href="#">1000001260</a>

Template is available for download at [elkay.com](#). CAD software will be required to open the template.

**Cutout Dimensions for Drop-in Installation:**

18-3/8" x 17-3/8" (467mm x 441mm) with 1-1/2" (38mm) corner radius

\*Laboratory testing has shown that when cleaned regularly, CuVerro surfaces kill more than 99.9% of bacteria\* within 2 hours, and continues to kill 99% of bacteria even after repeated contamination. Testing demonstrates effective antibacterial activity against Methicillin-Resistant Staphylococcus aureus (MRSA), Staphylococcus aureus, Enterobacter aerogenes, Pseudomonas aeruginosa, Vancomycin-Resistant Enterococcus faecalis (VRE) and Escherichia coli O157:H7.

CuVerro copper alloy surfaces have been shown to reduce microbial contamination, but does not necessarily prevent cross-contamination. The use of a copper alloy surface is a supplement to and not a substitute for standard infection control practices; users must follow all current infection control practices, including those practices related to cleaning and disinfection of environmental surfaces.

Copper alloy surfaces are for use only in non-food zone areas.

CuVerro is a registered trademark of GBC Metals LLC, d/b/a Olin Brass. CuVerro antimicrobial alloys are registered with the U.S. Environmental Protection Agency as antimicrobial under product registration #85353-5.

PART: \_\_\_\_\_ QTY: \_\_\_\_\_

PROJECT: \_\_\_\_\_

CONTACT: \_\_\_\_\_

DATE: \_\_\_\_\_

NOTES: \_\_\_\_\_

APPROVAL: \_\_\_\_\_



A Century of Tradition and Quality.

For more than 100 years, Elkay has been making innovative products and providing exceptional customer care. We take pride in offering plumbing products that make life easier, inspire change and leave the world a better place.



**Product Compliance:** ADA & ICC A117.1  
CSA B45.12/IAPMO Z402



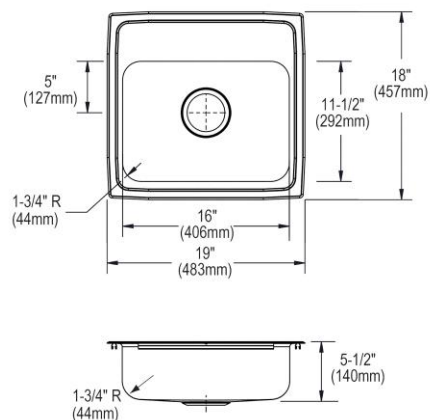
Sinks are listed by IAPMO<sup>®</sup> as meeting the applicable requirements of the Uniform Plumbing Code<sup>®</sup>, International Plumbing Code<sup>®</sup>, and National Plumbing Code of Canada.



Complies with ADA & ICC A117.1 accessibility requirements when installed according to the requirements outlined in these standards.

[Clean and Care Manual \(PDF\)](#)  
[Clean and Care Manual \(PDF\)](#)  
[Installation Instructions \(PDF\) - 1000005236](#)  
[Warranty \(PDF\)](#)

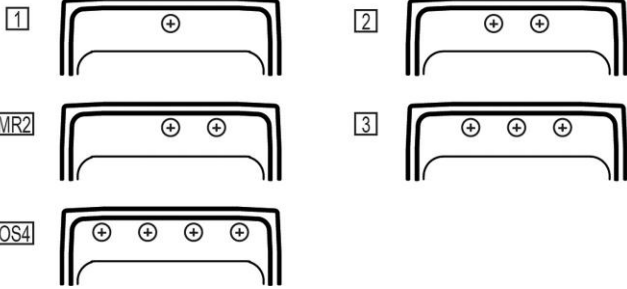
**Similar models are available with:** 4" 4-1/2" 5" 6" and 6-1/2" depths



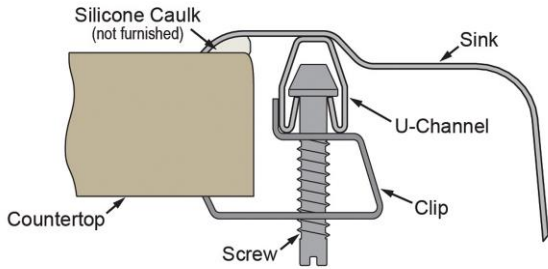
*In keeping with our policy of continuing product improvement, Elkay reserves the right to change product specifications without notice. Please visit [elkay.com](#) for the most current version of Elkay product specification sheets. This specification describes an Elkay product with design, quality, and functional benefits to the user. When making a comparison of other producers' offerings, be certain these features are not overlooked.*


**Hole Drilling Configurations:**

1-1/2" (38mm) Diameter Faucet Holes on 4" (102mm) Centers



**Installation Profile:**



Optional Accessories		
<a href="#">LKVR18-CU</a>	Elkay 3-1/2" Drain CuVerro <sup>®</sup> antimicrobial copper Body Vandal-resistant Strainer and Tailpiece <a href="#">Spec Sheet (PDF)</a>	

*In keeping with our policy of continuing product improvement, Elkay reserves the right to change product specifications without notice. Please visit [elkay.com](http://elkay.com) for the most current version of Elkay product specification sheets. This specification describes an Elkay product with design, quality, and functional benefits to the user. When making a comparison of other producers' offerings, be certain these features are not overlooked.*