

FEATURES & BENEFITS

FIELD CONFIGURABLE FILTERING

3000 gallon (11356 L) capacity, Electronic Lifecycle Control filter cartridge. Choose between filtered or non-filtered water with the included interchangeable 3000-gallon filter and 5y rated strainer.

SMART ENERGY SAVINGS MODE

Energy saving feature allows unit to power off the refrigeration system after 2 hours of non-use. Unit will automatically start back up next time unit is used.

AUTO PURGE

Auto purge feature automatically cycles once every 24 hours, if no use, to assure a fresh water supply as well as trap integrity.

VANDAL RESISTANT

The bubbler heads, push buttons, round bowls, drain strainers and bottom plates are locked in place, and the sensor resists scratching and water droplet fowling and features a timeout function discouraging unwanted vandal tampering.

LED DISPLAY

Display menu which shows sensor range adjustment, factory reset, software/firmware version readout and error readout, along with bottle counter showing number of bottles saved.

MOUNTING

Heavy-duty 16-gauge galvanized steel mounting frame provides a secure and quick installation, and allows enough access room for water stop, electrical junction box, filter and drain connections.

DRINKING FOUNTAIN VALVES

The push-button activated valves offers the only all stainless steel valve body that is machined out of solid bar stock, is fully serviceable through the front of the push button assembly offering access to the water control cartridge and integral water supply strainer, and with front access to the water stream height adjustment for easy maintenance without having to remove the valve.

OPTIONS

- Filter Replacement: Model 6428-C pack of twelve 3000-gallon (11356 L) replacement filters.
- ADA Touch Skirt: Model SK3, satin finish stainless steel cane touch skirt for installation on high unit in some applications that may need to comply with ADA protruding objects guidelines.
- Custom Logo Panel: Model 6475, Hydration By Haws" logo panel with customization options.
- Copper Button: Model PBA6C, flanged push button assembly with antimicrobial copper button for the 5874PBF valve.

For more information, visit www.hawsco.com or call (888) 640-4297.



SPECIFICATIONS

Model 1011HSA.8 RIVIVE™ Hydration Station™ vandal-resistant wall-mounted ADA chilled drinking fountain and recessed motion-activated bottle filler features dual 18-gauge Type 304 Stainless Steel satin finish basins with integral swirl design, 14-gauge Type 304 Stainless Steel wall brackets, 100% lead-free waterways, vandal-resistant push-button operated stainless steel valves with front-accessible cartridge and flow adjustment, polished chrome-plated brass vandal-resistant bubbler heads with integral laminar anti-squirt flow, chrome-plated brass vandal-resistant waste strainers, vandal-resistant bottom plates, stainless steel satin finish back panel and louvered intrusion-proof grill, high and low fountain mounting levels, and 1-1/4" (3.2 cm) O.D. waste pipes. Bottle filler includes a 3000 gallon (11356 L) capacity, Electronic Lifecycle Control filter cartridge, with filter replacement indicator light, LED lighted 12" sensor operated bottle opening with quick 1.1 gpm fill rate and laminar flow with front access for changing filter, smart energy savings feature powers down refrigeration system after 2 hours of non-use, auto purge feature automatically cycles water once every 24 hours, display menu which shows sensor range adjustment, factory reset, software/firmware version readout and error readout, along with bottle counter showing number of bottles saved, and vandal-resistant sensor resists scratching and water droplet fowling. The refrigeration system is hermetically sealed and delivers a minimum of 8 gph (30.3 L) of water at 50° F (10° C) cooled from 80° F (26.7° C) inlet water at 90° F (32.2° C) ambient. 115 Volts, 60Hz, rated watts: 370, full load amps: 5

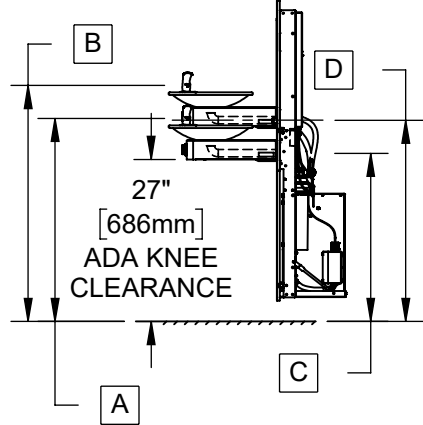
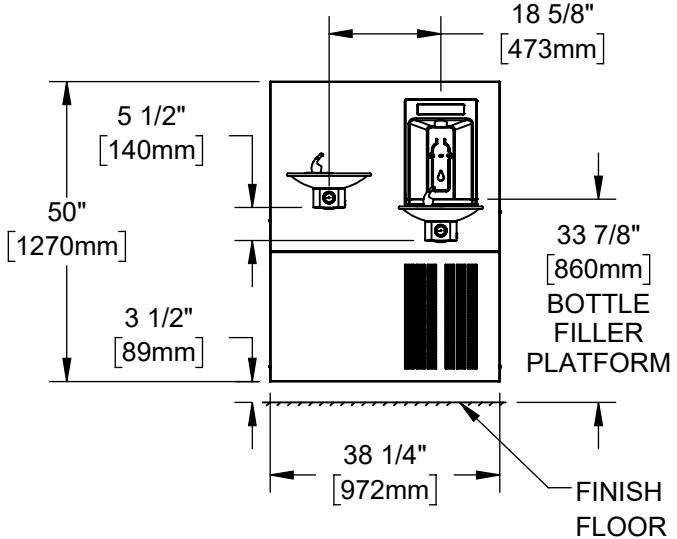
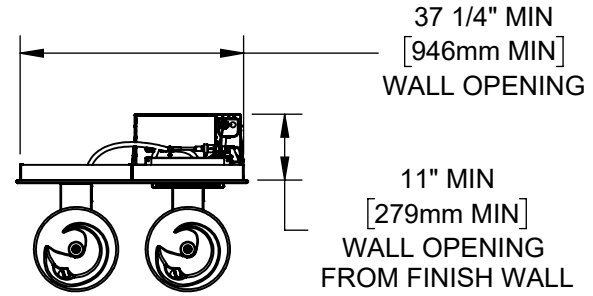
APPLICATIONS

Specifically, this type fountain with bottle filler may be placed in settings such as: schools, office buildings, shopping malls, and other indoor environments where there is a demand for a chilled water source and/or wheelchair access. Electric water coolers are not recommended or designed for outdoor applications or enclosed pool areas (chlorine). These conditions may void warranty. Model meets all current Federal Regulations for the disabled including those in the Americans with Disabilities Act. Haws manufactures drinking fountains, faucets and electric water coolers to be lead-free by all known definitions including NSF/ANSI/CAN 61-Section 9, NSF/ANSI/CAN 372, California Proposition 65, and the Federal Safe Drinking Water Act. Product is compliant to California Health and Safety Code 116875 (AB 1953-2006), and 116876 (AB 100) "NSF/ANSI/CAN 61: Q ≤ 1". Haws electric water coolers comply with ARI Standard 1010 and ANSI A117.1, and are listed by Underwriter Laboratories to U.S. and Canadian standards.

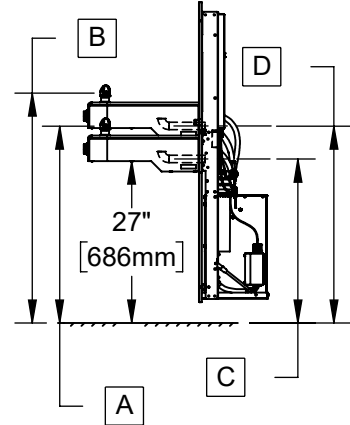


- NOTES:
- HOLD ROUGH-IN DIMENSIONS $\pm 1/4"$ (6.4mm).
 - WHEN INSTALLING THIS UNIT, LOCAL, STATE, OR FEDERAL CODES SHOULD BE ADHERED TO. FOR INSTALLATION HEIGHTS OTHER THAN SHOWN, DIMENSIONS MARKED (*) MUST BE ADJUSTED ACCORDINGLY. INSTALL A TRAP IN THE WASTE LINE AND A SCREWDRIVER STOP IN THE SUPPLY LINE IF REQUIRED.

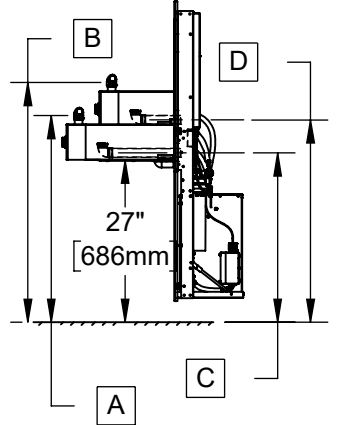
	A	B	C	D	
FOUNTAIN MODELS	LOW SIDE BUBBLER	HIGH SIDE BUBBLER	LOW SIDE DRAIN	HIGH SIDE DRAIN	WASTE BEND SIZE
1001/1011	33 13/16" [858mm]	39 5/16" [998mm]	28 1/16" [712mm]	33 9/16" [852mm]	1-1/4"
1107/1117	32 13/16" [834mm]	38 5/16" [974mm]	27 5/16" [694mm]	32 13/16" [834mm]	1-1/4"
1109/1119	34 7/16" [875mm]	39 15/16" [1014mm]	28 3/16" [716mm]	33 11/16" [856mm]	1-1/4"



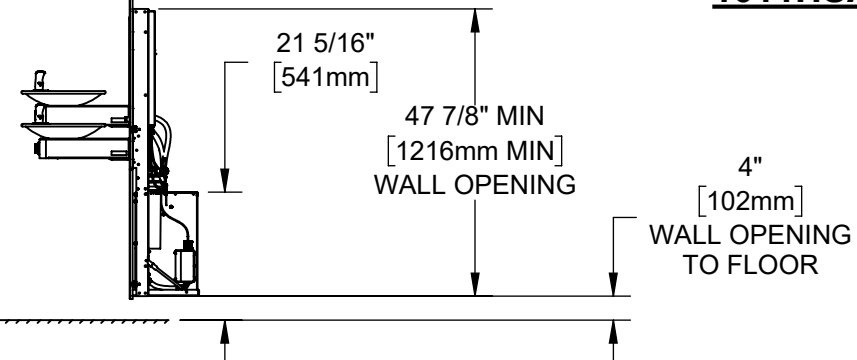
1011HSA.8



1117HSA.8

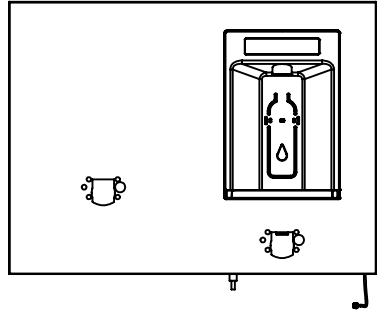


1119HSA.8

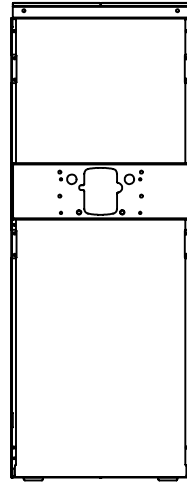


1455 KLEPPE LANE
SPARKS, NEVADA 89431
(775) 359-4712 FAX (775) 359-7424
E-MAIL: HAWS@HAWSO.COM
WEBSITE: WWW.HAWSO.COM

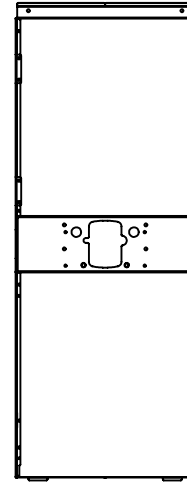
ECN: 6000	REV. ECN: 6000	BY: DHP	MODEL(S): 1XXXHSA.8, DUAL FOUNTAIN MODELS, CHILLED	PART NUMBER: 0510002201.D
DRAWN: DHP	DATE: 12/15/22	CHKD:		REVISION: 0A.5
APPROVED:	DATE:		SCALE: 1:32 DRAWING TYPE: INSTALLATION	SIZE: A SHEET 1 OF 11



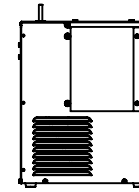
BOTTLE FILLER
(HS4 SHOWN FOR REFERENCE)



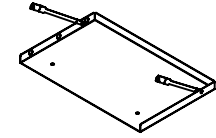
HIGH SIDE FRAME
(0410000901)



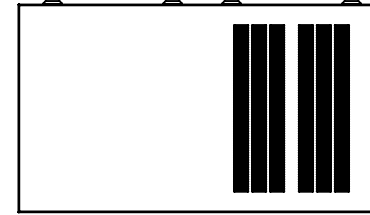
LOW SIDE FRAME (HS11)



CHILLER
(HCR8)



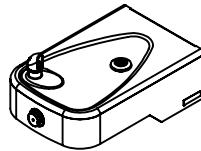
CHILLER TRAY
(0410000906)



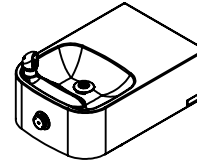
LOWER PANEL
(0410000924)



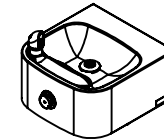
1011 FOUNTAIN (2X, HS7)



1117 FOUNTAIN (2X, HS8)



1119 LOW SIDE FOUNTAIN (HS9)



1119 HIGH SIDE FOUNTAIN (HS10)

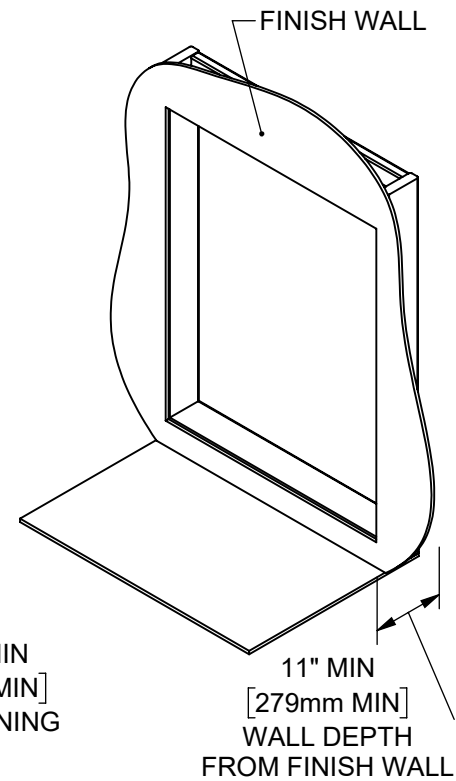
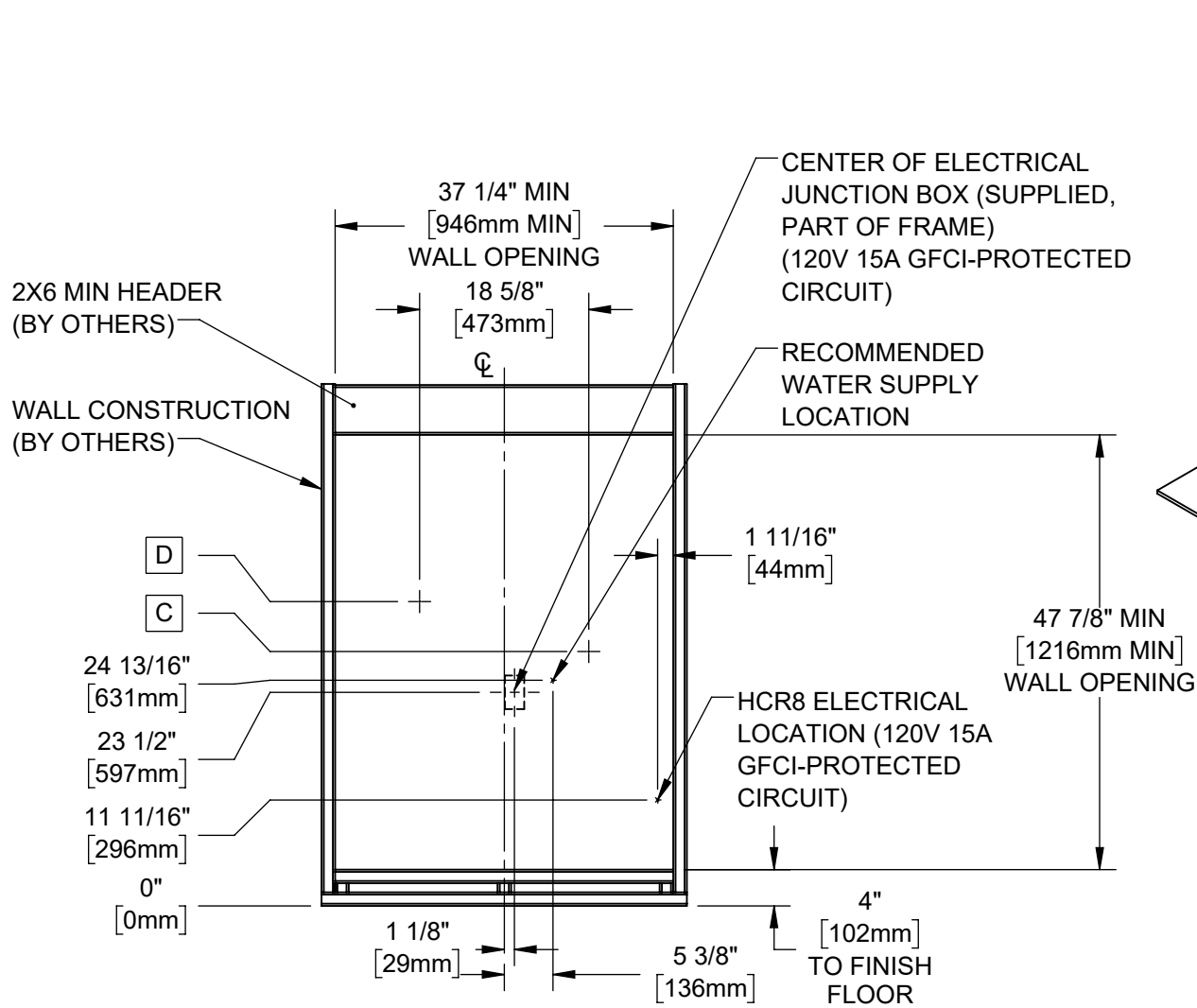
HS MODEL #	BOTTLE FILLER	LOW SIDE FRAME	HIGH SIDE FRAME	CHILLER	CHILLER TRAY	LOW SIDE FOUNTAIN	HIGH SIDE FOUNTAIN	LOWER PANEL	LOOSE PARTS KIT
1011HSA.8	HS4	HS11	0410000901	HCR8	0410000906	HS7	HS7	0410000924	HS104
1117HSA.8	HS6	HS11	0410000901	HCR8	0410000906	HS8	HS8	0410000924	HS110
1119HSA.8	HS6	HS11	0410000901	HCR8	0410000906	HS9	HS10	0410000924	HS116



1455 KLEPPE LANE
SPARKS, NEVADA 89431
(775) 359-4712 FAX (775) 359-7424
E-MAIL: HAWS@HAWS.CO.COM
WEBSITE: WWW.HAWS.CO.COM


ECN: 6000	REV. ECN: 6000	BY: DHP	MODEL(S) 1XXXHSA.8, DUAL FOUNTAIN MODELS, CHILLED	PART NUMBER 0510002201.D
DRAWN: DHP	DATE: 12/15/22	CHKD:		REVISION 0A.5
APPROVED:	DATE:		SCALE: 1:20 DRAWING TYPE: INSTALLATION	SIZE: A SHEET 2 OF 11

3. ROUGH IN WALL CAVITY WITH DIMENSIONS SHOWN. ROUGH IN ELECTRICAL, WASTE PIPING, AND WATER SUPPLY AS REQUIRED. BE SURE ELECTRICAL, WASTE PIPING, AND WATER SUPPLY IS CLEAR OF THE INSTALLED LOCATION OF THE CHILLER, IN WALL FRAME, AND BOTTLE FILLER.



TYPICAL WALL OPENING

	C	D	
FOUNTAIN MODELS	LOW SIDE DRAIN	HIGH SIDE DRAIN	WASTE BEND SIZE
1001/1011	28 1/16" [712mm]	33 9/16" [852mm]	1-1/4"
1107/1117	27 5/16" [694mm]	32 13/16" [834mm]	1-1/4"
1109/1119	28 3/16" [716mm]	33 11/16" [856mm]	1-1/4"



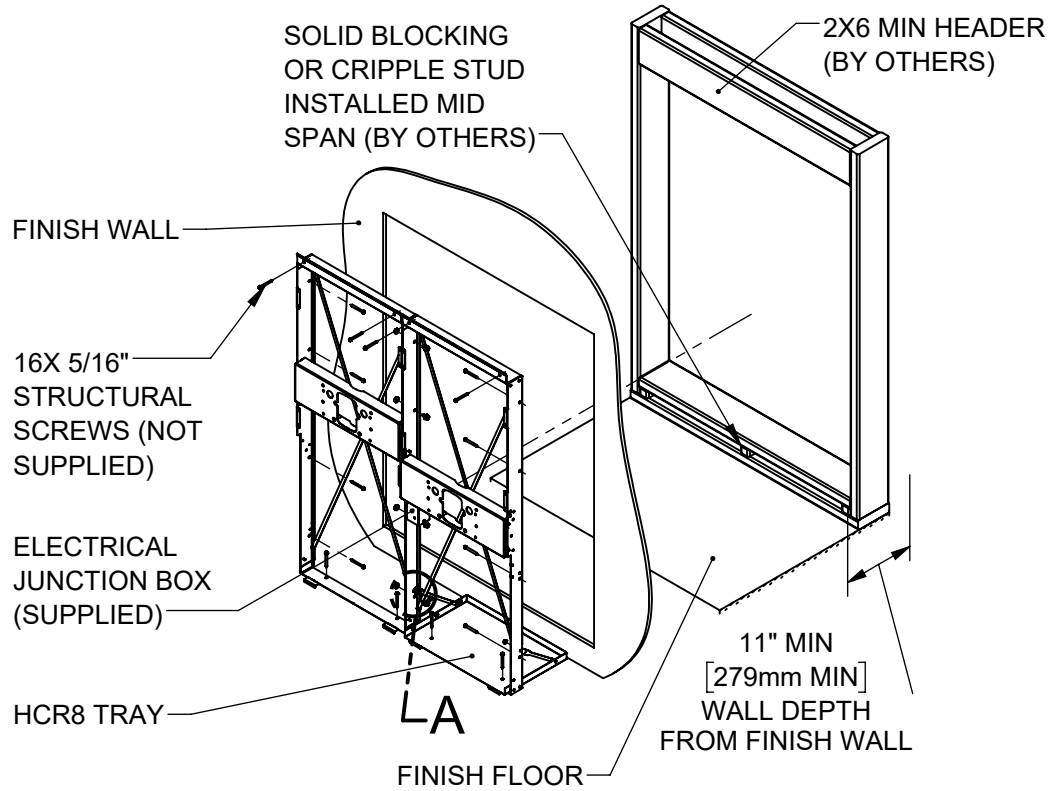
Haws[®]

Since 1906

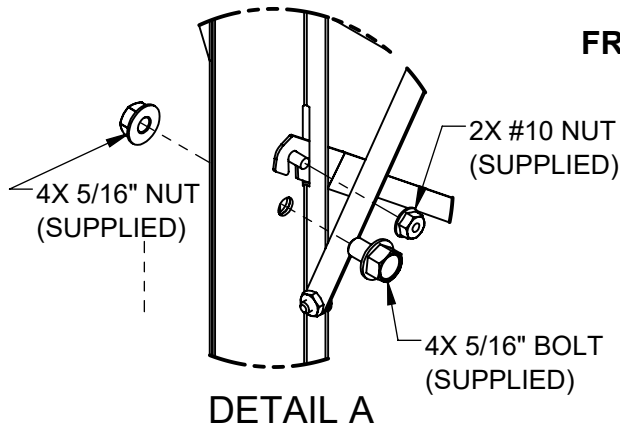
1455 KLEPPE LANE
SPARKS, NEVADA 89431
(775) 359-4712 FAX (775) 359-7424
E-MAIL: HAWS@HAWSO.COM
WEBSITE: WWW.HAWSO.COM

ECN: 6000	REV. ECN: 6000	BY: DHP	MODEL(S): 1XXXHSA.8, DUAL FOUNTAIN MODELS, CHILLED	PART NUMBER: 0510002201.D
DRAWN: DHP	DATE: 12/15/22	CHKD:		REVISION: 0A.5
APPROVED:	DATE:		SCALE: 1:20 DRAWING TYPE: INSTALLATION	SIZE: A SHEET 3 OF 11

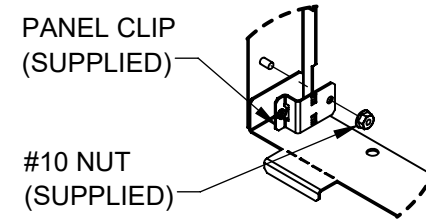
4. BOLT FRAMES TOGETHER USING 4X 5/16" BOLTS AND NUTS AS SHOWN. INSTALL HCR8 TRAY USING 2X #10 NUTS (SUPPLIED, DETAIL A). INSTALL 4X PANEL CLIPS (DETAIL B) USING #10 NUTS (SUPPLIED).
5. MOUNT FRAME ASSEMBLY INTO WALL CAVITY USING 16X STRUCTURAL SCREWS (NOT SUPPLIED), USE SHIMS AS NEEDED AND ENSURE THE FRAME IS SQUARE.



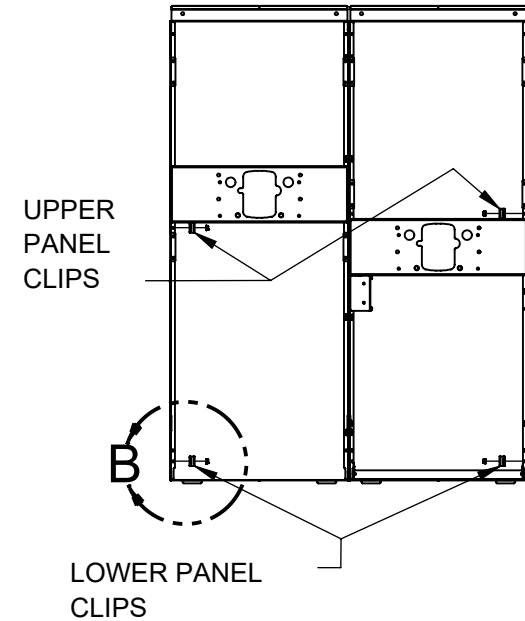
FRAME INSTALLATION



DETAIL A



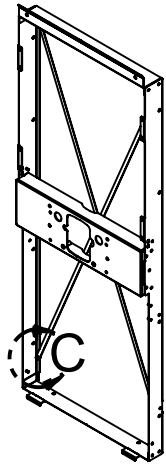
**DETAIL B
PANEL CLIP
INSTALL
(4 PLACES)**



PANEL CLIP INSTALLATION

			1455 KLEPPE LANE SPARKS, NEVADA 89431 (775) 359-4712 FAX (775) 359-7424 E-MAIL: HAWS@HAWSO.COM WEBSITE: WWW.HAWSO.COM	
			ECN: 6000 DRAWN: DHP APPROVED:	REV. ECN: 6000 DATE: 12/15/22
SCALE: 1:20 DRAWING TYPE: INSTALLATION SIZE: A			SHEET 4 OF 11	

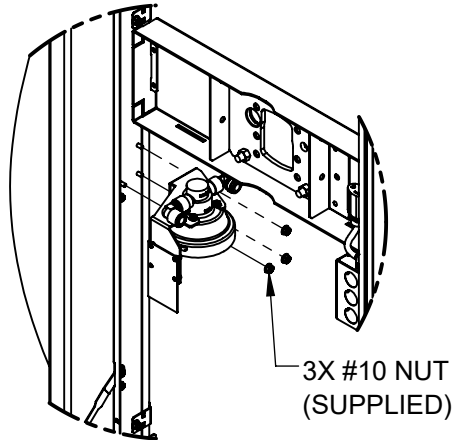
6. REMOVE SHIPPING BRACKETS FROM RIGHT AND LEFT FRAME (DETAIL C).
7. INSTALL FILTER HEAD USING 3X SUPPLIED #10 NUTS (DETAIL D).
8. (1011HSA.8 ONLY) INSTALL 1001 DRINKING FOUNTAIN ADAPTERS USING 2X SUPPLIED 3/8" NUTS (DETAIL E). ENSURE THE CORRECT ORIENTATION OF THE ADAPTER PLATE, "FRONT" IS PRINTED ON THE ADAPTER PLATE AND SHOULD BE ORIENTED TOWARDS THE FINISH WALL.



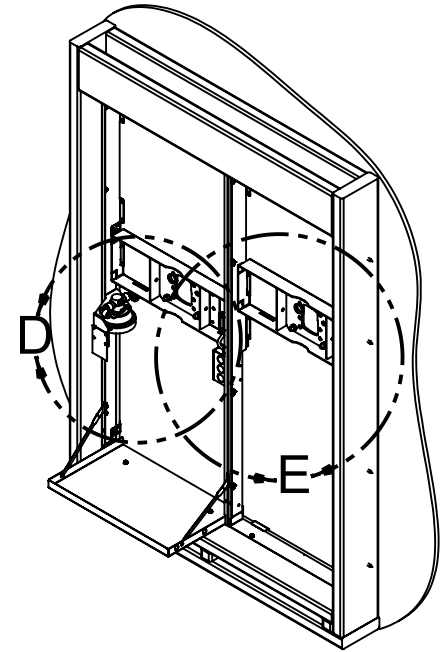
REMOVE SHIPPING
CROSS BRACING

DETAIL C
(4 PLACES)

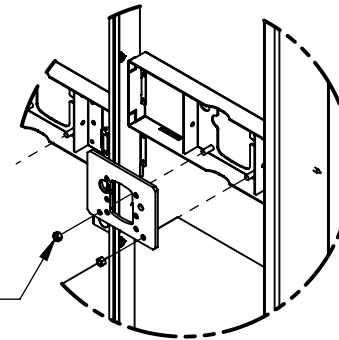
**SHIPPING CROSS
BRACE REMOVAL**



DETAIL D
FILTER/STRAINER HEAD INSTALL
(ALL MODELS)



REAR VIEW



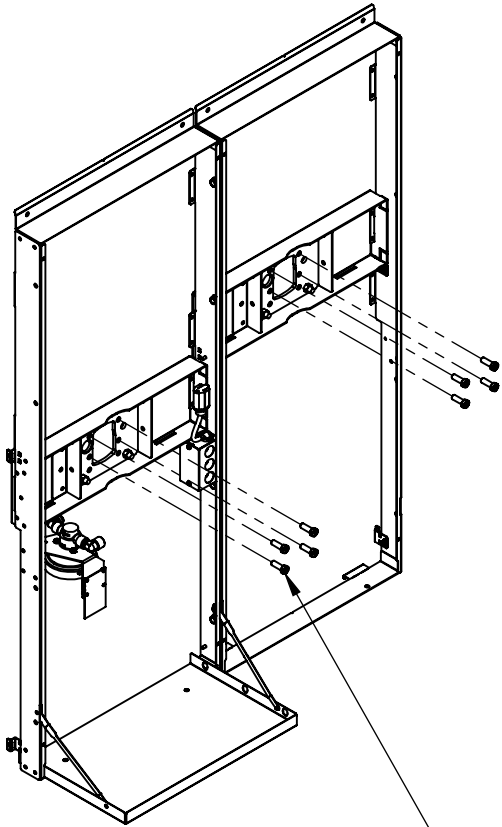
DETAIL E
1001 FOUNTAIN ADAPTER PLATE (1001/1011
MODELS ONLY)



1455 KLEPPE LANE
SPARKS, NEVADA 89431
(775) 359-4712 FAX (775) 359-7424
E-MAIL: HAWS@HAWSO.COM
WEBSITE: WWW.HAWSO.COM

ECN: 6000	REV. ECN: 6000	BY: DHP	MODEL(S) 1XXXHSA.8, DUAL FOUNTAIN MODELS, CHILLED	PART NUMBER 0510002201.D
DRAWN: DHP	DATE: 12/15/22	CHKD:		REVISION 0A.5
APPROVED:	DATE:		SCALE: 1:20 DRAWING TYPE: INSTALLATION	SIZE: A SHEET 5 OF 11

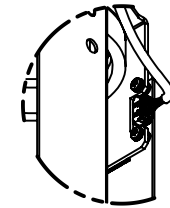
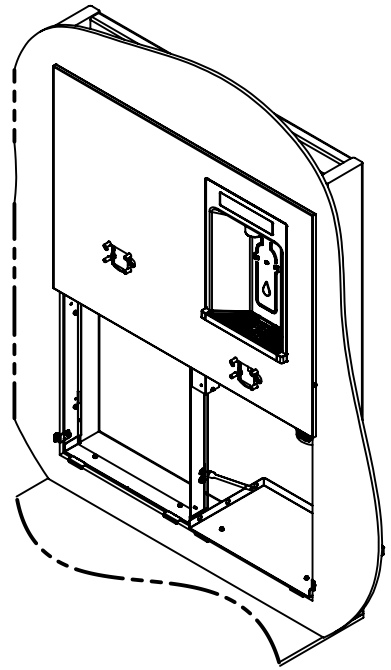
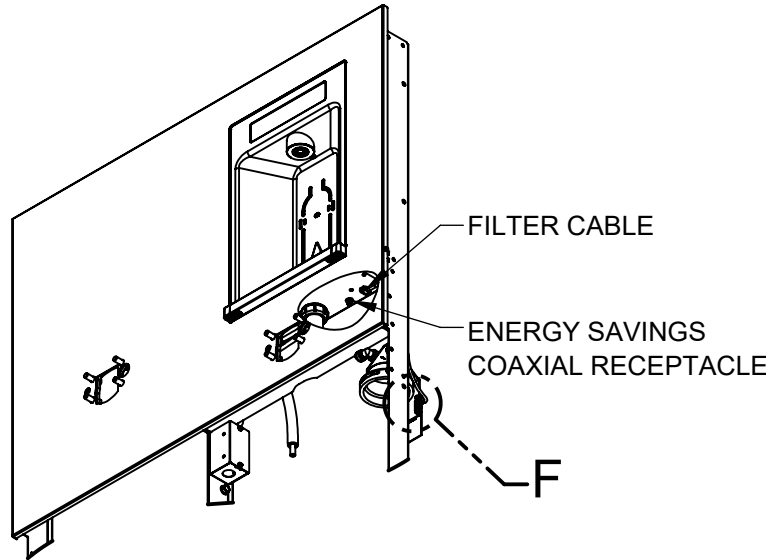
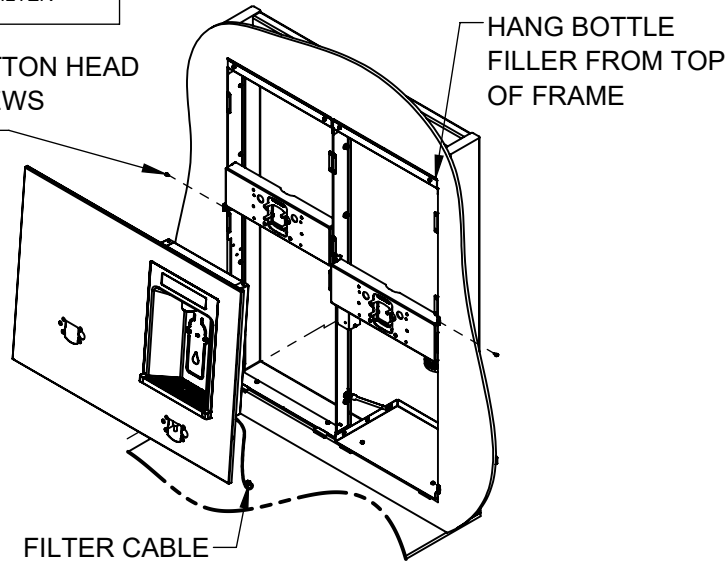
9. INSTALL 8X 3/8" DRINKING FOUNTAIN BOLTS (SUPPLIED) FROM THE BACK SIDE OF THE FRAME.
10. HANG THE BOTTLE FILLER FROM THE TOP OF THE FRAME AND ALIGN THE PANEL SO THE 3/8" DRINKING FOUNTAIN BOLTS PROTRUDE THROUGH THE PANEL. INSTALL THE 2X #8 PANEL SCREWS (SUPPLIED) ON EITHER SIDE OF THE BOTTLE FILLER PANEL.
11. CONNECT THE FILTER CABLE (RIGHT SIDE OF THE BOTTLE FILLER) TO THE FILTER TRACKING BOARD.



8X DRINKING FOUNTAIN BOLTS (SUPPLIED). USE WASHERS (SUPPLIED) UNDER HEAD OF BOLTS FOR 1107/1117 AND 1109/1119 MODELS

REAR VIEW

2X #8-32 BUTTON HEAD PANEL SCREWS (SUPPLIED)



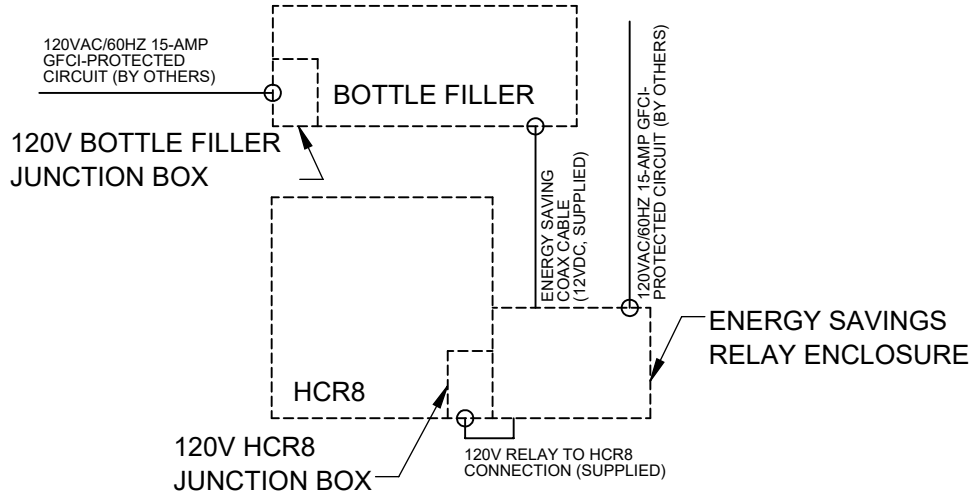
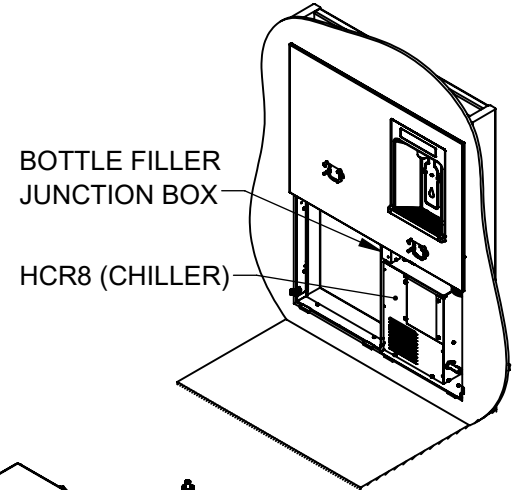
DETAIL F
FILTER TRACKING
ELECTRICAL CONNECTION



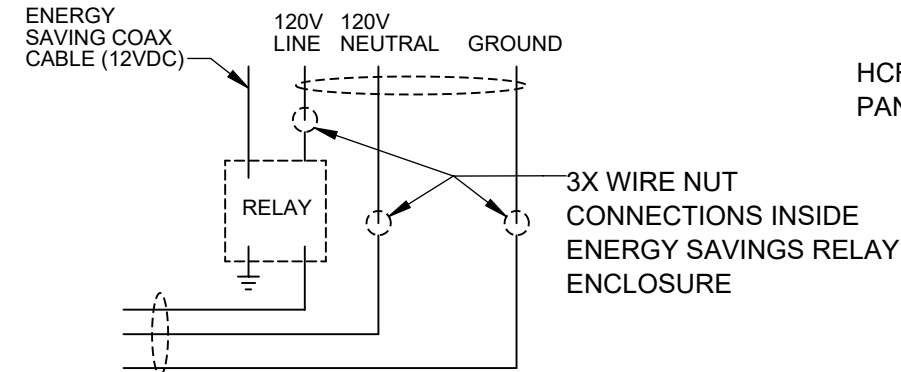
1455 KLEPPE LANE
SPARKS, NEVADA 89431
(775) 359-4712 FAX (775) 359-7424
E-MAIL: HAWS@HAWSO.COM
WEBSITE: WWW.HAWSO.COM

ECN: 6000	REV. ECN: 6000	BY: DHP	MODEL(S) 1XXXHSA.8, DUAL FOUNTAIN MODELS, CHILLED	PART NUMBER 0510002201.D
DRAWN: DHP	DATE: 12/15/22	CHKD:		REVISION 0A.5
APPROVED:	DATE:		SCALE: 1:14 DRAWING TYPE: INSTALLATION	SIZE: A SHEET 6 OF 11

- NOTE:** STEPS 12-15 CAN BE PERFORMED LATER IN INSTALLATION IF DESIRED.
- NOTE:** THE BOTTLE FILLER AND HCR8 CHILLER CAN BE SERVICED BY A SINGLE 15AMP GFCI-PROTECTED CIRCUIT IF DESIRED.
12. PARTIALLY INSTALL 2X #8 SCREWS (SUPPLIED) INTO RIGHT SIDE OF HCR8 AND HANG THE ENERGY SAVINGS RELAY ENCLOSURE. COMPLETELY TIGHTEN THE 2X #8-32 HEX SCREWS USING A 1/4" OPEN OR BOX END WRENCH TO SECURE THE ENERGY SAVINGS RELAY ENCLOSURE TO THE HCR8.
 13. REMOVE THE FRONT PANEL OF THE HCR8 TO ACCESS THE INTERNAL, 120V JUNCTION BOX. HAVE AN ELECTRICIAN CONNECT THE LOOSE LINE, NEUTRAL, AND GROUND CABLES PROVIDED WITH THE ENERGY SAVINGS RELAY ENCLOSURE TO THE RESPECTIVE LINE, NEUTRAL, AND GROUND CONNECTIONS INSIDE THE HCR8 JUNCTION BOX. REPLACE THE HCR8 FRONT PANEL.
 14. REMOVE THE 2X COVER SCREWS FOR THE ENERGY SAVINGS RELAY ENCLOSURE AND REMOVE COVER. HAVE AN ELECTRICIAN CONNECT A 120VAC/60HZ 5-AMP GFCI-PROTECTED CIRCUIT TO THE RESPECTIVE LINE, NEUTRAL, AND GROUND CONNECTIONS INSIDE THE ENCLOSURE VIA ONE OF THE AVAILABLE 1/2" KNOCKOUTS.
 15. HAVE AN ELECTRICIAN CONNECT A 120VAC/60HZ 15-AMP GFCI-PROTECTED CIRCUIT TO THE RESPECTIVE LINE, NEUTRAL, AND GROUND CONNECTIONS INSIDE THE BOTTLE FILLER JUNCTION BOX VIA ONE OF THE AVAILABLE 1/2" KNOCKOUTS.

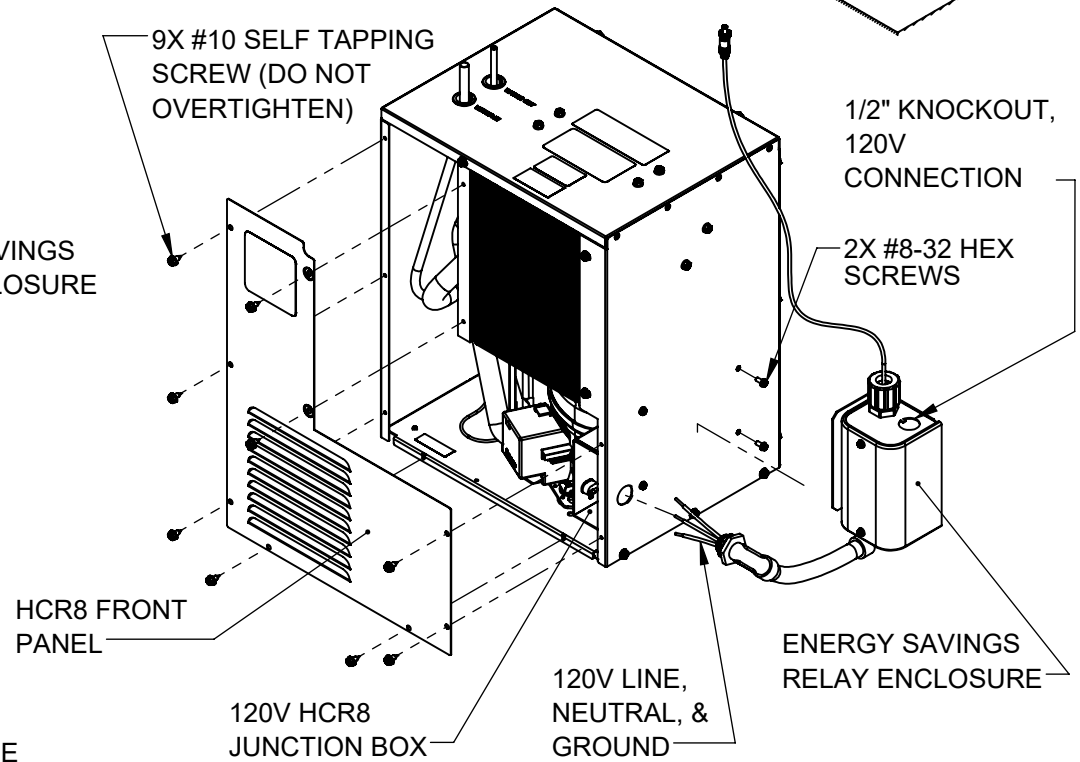


ELECTRICAL WIRING OVERVIEW



LINE, NEUTRAL, GROUND CONNECTIONS INSIDE HCR8 JUNCTION BOX

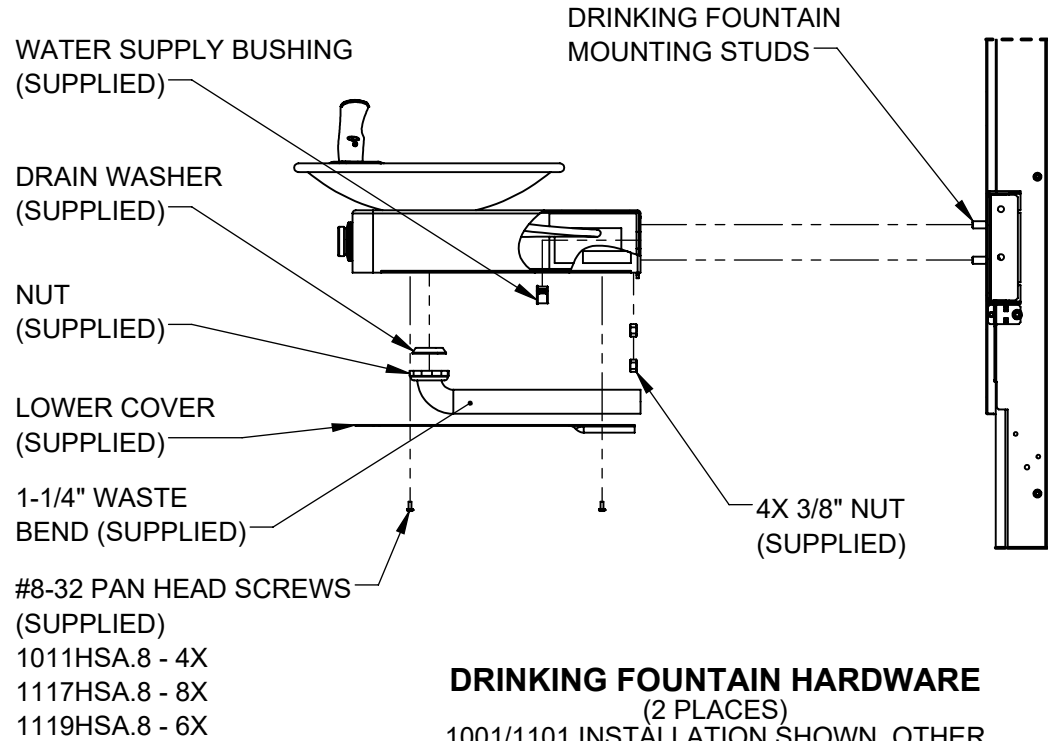
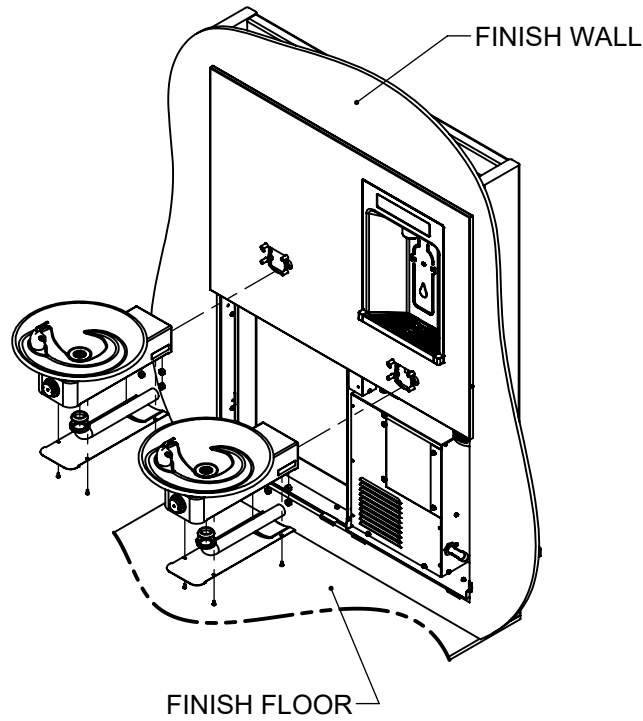
ENERGY SAVINGS RELAY ENCLOSURE DETAIL



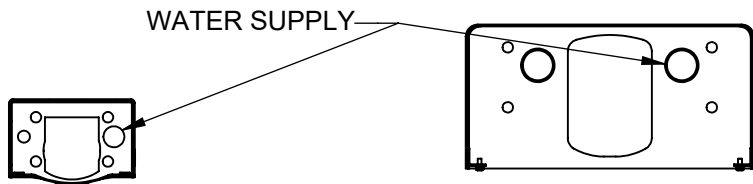
ENERGY SAVINGS RELAY INSTALLATION

		Haws Since 1906		1455 KLEPPE LANE SPARKS, NEVADA 89431 (775) 359-4712 FAX (775) 359-7424 E-MAIL: HAWS@HAWSCO.COM WEBSITE: WWW.HAWSCO.COM	
				ECN: 6000 DRAWN: DHP APPROVED:	REV. ECN: 6000 DATE: 12/15/22 DATE:
SCALE: 1:20		DRAWING TYPE: INSTALLATION		SIZE: A SHEET 7 OF 11	

16. MOUNT THE DRINKING FOUNTAIN TO THE PROTRUDING 3/8" STUDS FROM STEP 9. INSTALL 4X 3/8" NUTS (SUPPLIED) PER DRINKING FOUNTAIN AND TIGHTEN FULLY (25 LB-FT).
17. INSTALL THE WASTE BEND (SUPPLIED), CUT TO LENGTH AS REQUIRED. REFER TO SHEET 3 FOR DRAIN HEIGHTS FOR EACH MODEL. INSTALL THE WATER SUPPLY BUSHING (SUPPLIED) INTO THE CIRCULAR OPENING IN THE MOUNTING PLATE OF THE DRINKING FOUNTAIN. SET LOWER COVER AND #8 PAN HEAD SCREWS ASIDE, THESE WILL BE INSTALLED ONCE THE WATER SUPPLY PLUMBING IS COMPLETE.




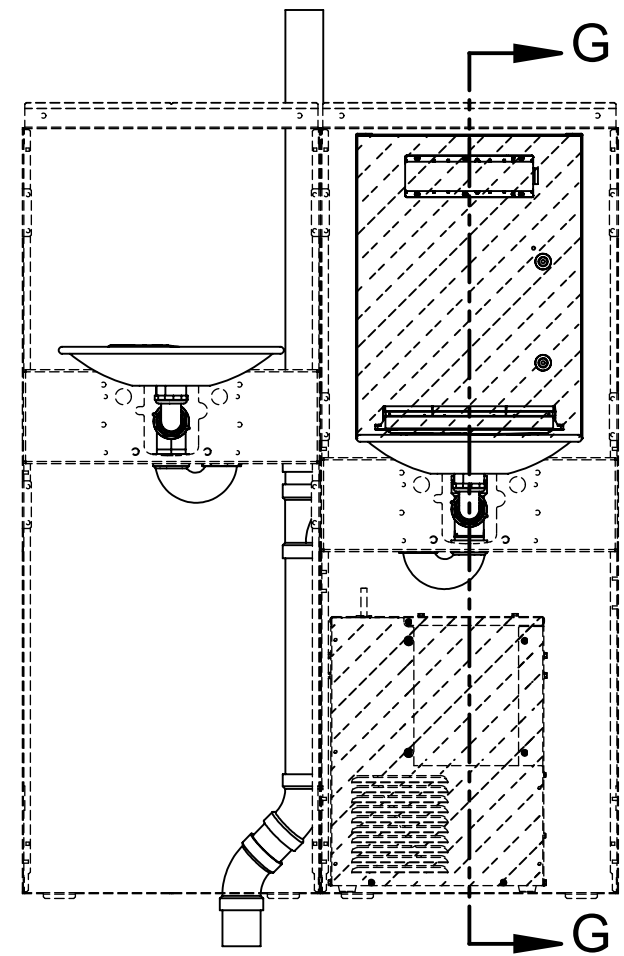
DRINKING FOUNTAIN HARDWARE
 (2 PLACES)
 1001/1101 INSTALLATION SHOWN, OTHER DRINKING FOUNTAIN MODELS FOLLOW THE SAME INSTALLATION STEPS AND CONTAIN SIMILAR PARTS.



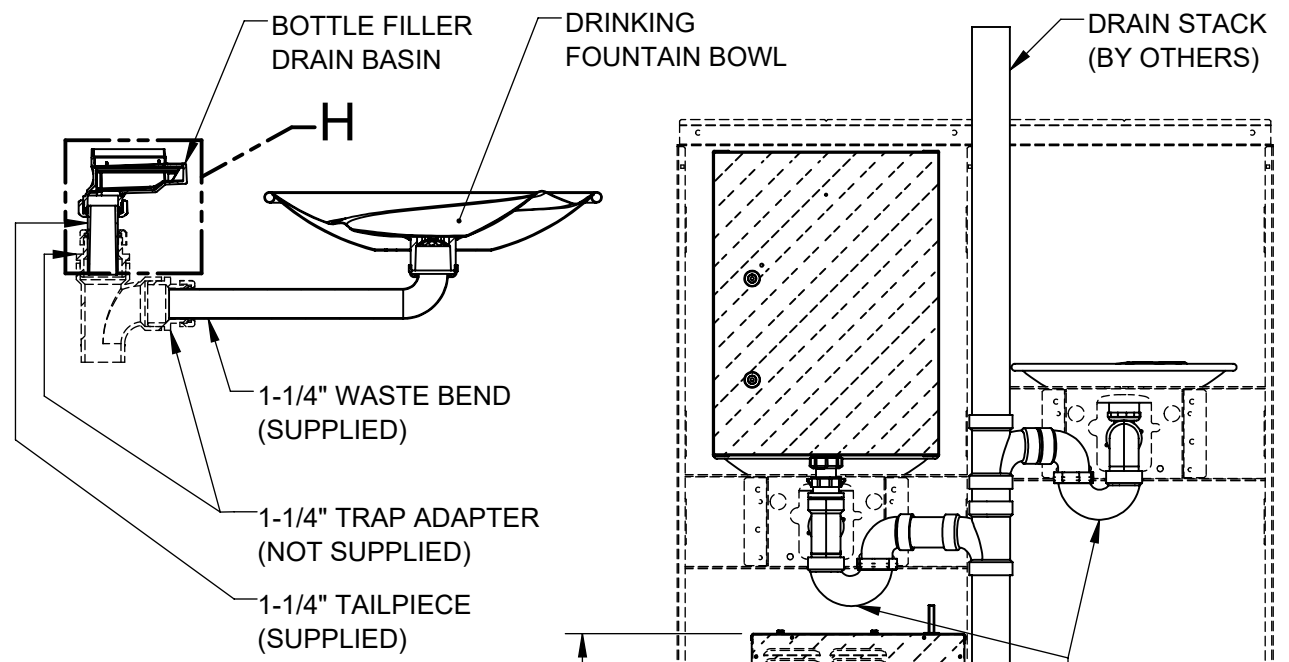
**1001/1101
 HOLE
 PATTERN**

**1107/1117 &
 1109/1119 HOLE
 PATTERN**

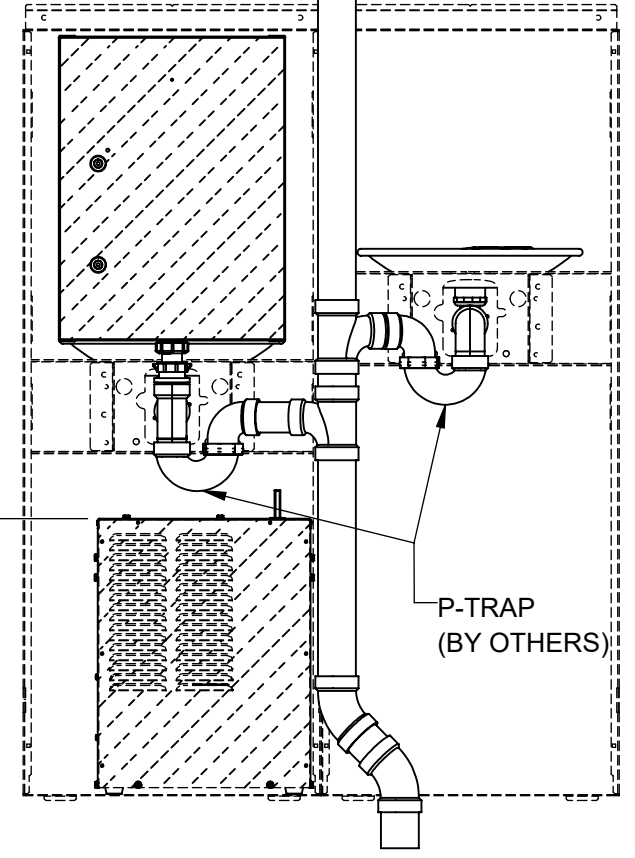
 Haws Since 1906		1455 KLEPPE LANE SPARKS, NEVADA 89431 (775) 359-4712 FAX (775) 359-7424 E-MAIL: HAWS@HAWS.CO.COM WEBSITE: WWW.HAWS.CO.COM	
		ECN: 6000 REV. ECN: 6000 DRAWN: DHP APPROVED:	BY: DHP DATE: 12/15/22 DATE:
SCALE: 1:20		DRAWING TYPE: INSTALLATION	SIZE: A SHEET 8 OF 11



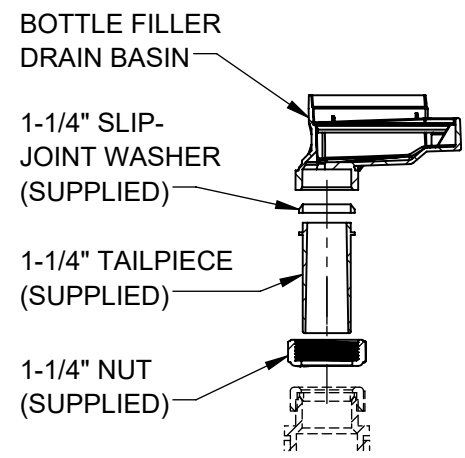
FRONT VIEW
(SOME COMPONENTS HIDDEN FOR CLARITY)



SECTION G-G
(ENLARGED)




BACK VIEW
(SOME COMPONENTS HIDDEN FOR CLARITY)



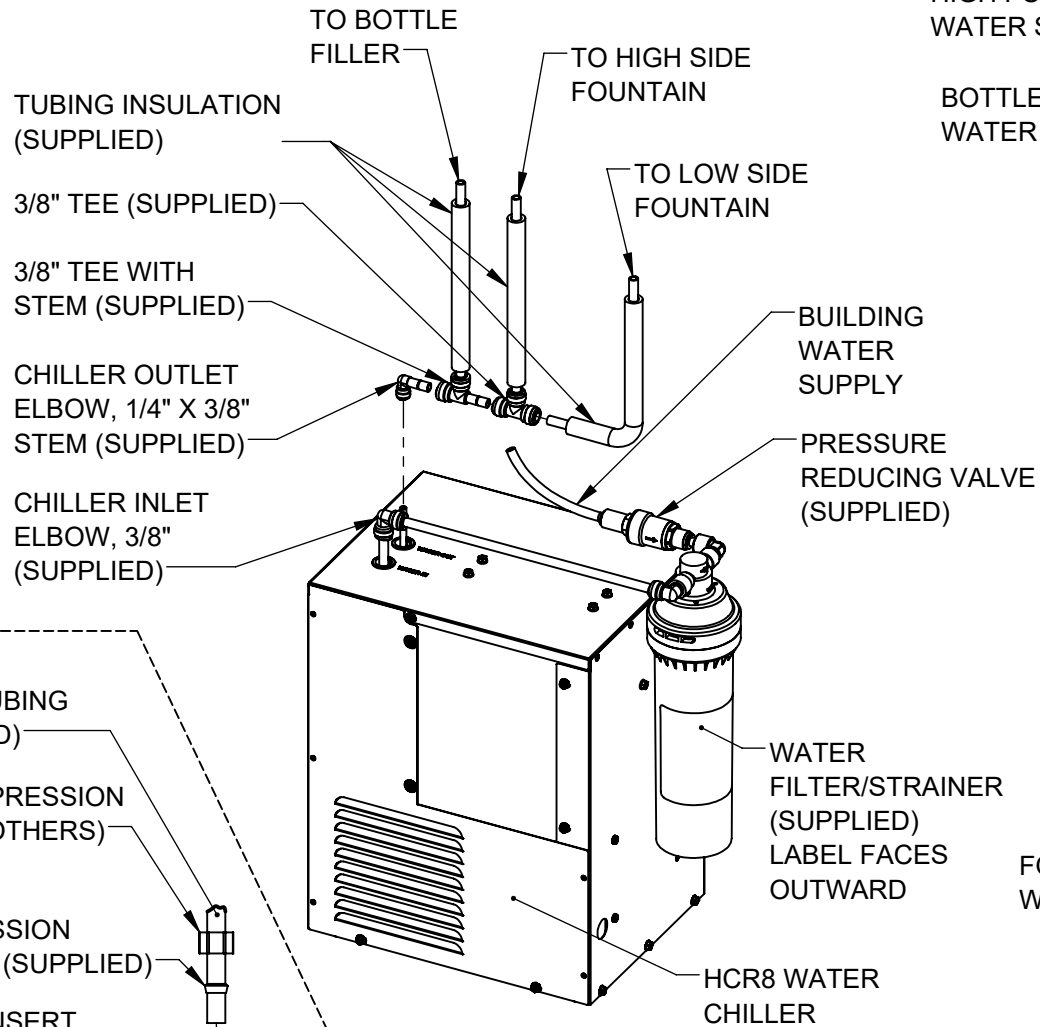
DETAIL H
(EXPLODED VIEW)

FOR REFERENCE ONLY

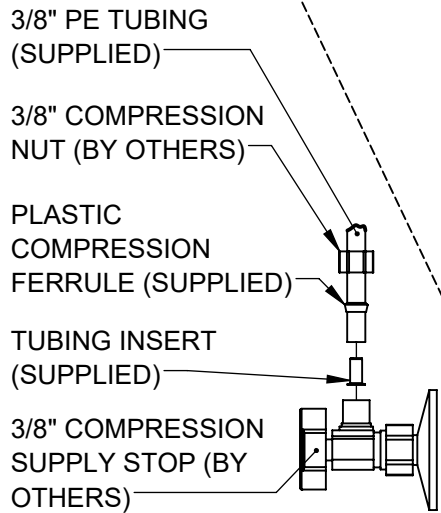
DRAIN STACK SHOWN AS REFERENCE ONLY. LOCAL, STATE, OR FEDERAL CODES SHOULD BE ADHERED TO FOR PROPER DRAIN INSTALLATION.

		1455 KLEPPE LANE SPARKS, NEVADA 89431 (775) 359-4712 FAX (775) 359-7424 E-MAIL: HAWS@HAWSCO.COM WEBSITE: WWW.HAWSCO.COM	
ECN: 6000	REV. ECN: 6000	BY: DHP	MODEL(S): 1XXXHSA.8, DUAL FOUNTAIN MODELS, CHILLED
DRAWN: DHP	DATE: 12/15/22	CHKD:	PART NUMBER: 0510002201.D
APPROVED:	DATE:		REVISION: 0A.5
SCALE: 1:12		DRAWING TYPE: INSTALLATION	SIZE: A SHEET 9 OF 11

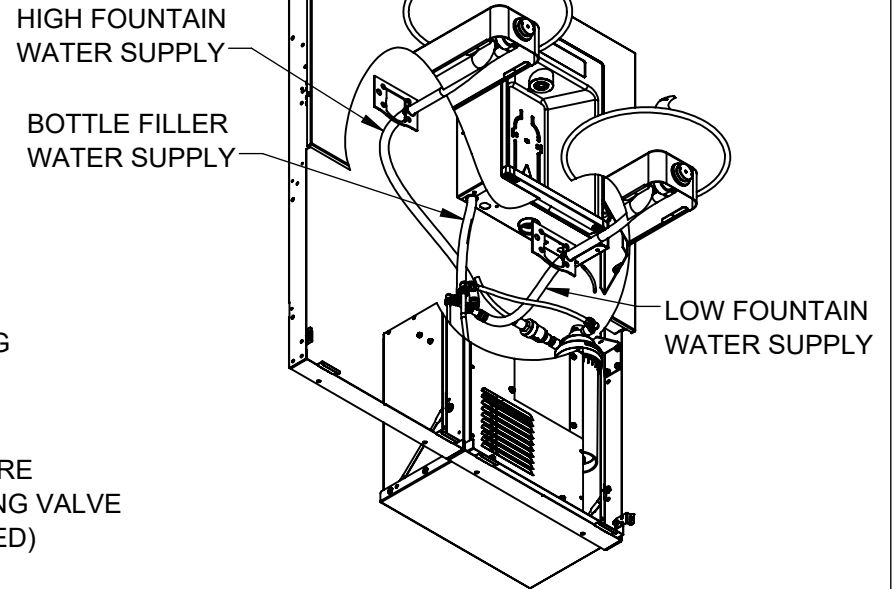
18. INSTALL 3/8" TUBING AS SHOWN. ALL TUBING DOWNSTREAM OF THE HCR8 CHILLER SHOULD BE INSTALLED WITH TUBING INSULATION (SUPPLIED). NOTE DIRECTION OF FLOW ARROWS ON FILTER AND PRESSURE REDUCING VALVE. CUT ALL TUBING AND INSULATION AS REQUIRED, ENSURE TUBING IS CUT SQUARE AND FULLY INSERTED INTO PUSH-TO-CONNECT FITTINGS.



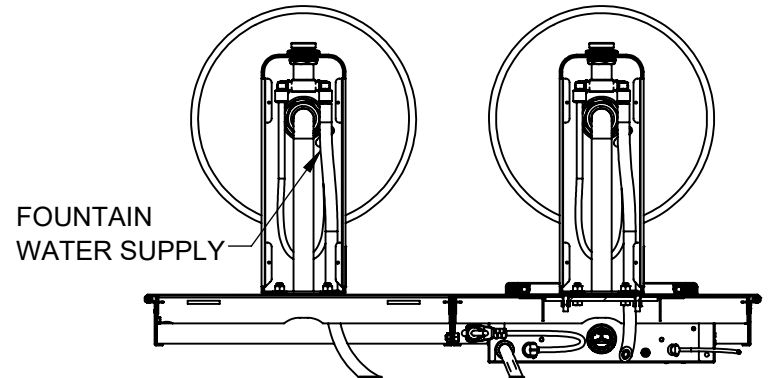
WATERWAY DIAGRAM




WATER SUPPLY CONNECTION



WATERWAY LAYOUT
(SOME COMPONENTS HIDDEN FOR CLARITY)



BOTTOM VIEW
(SOME COMPONENTS HIDDEN FOR CLARITY)



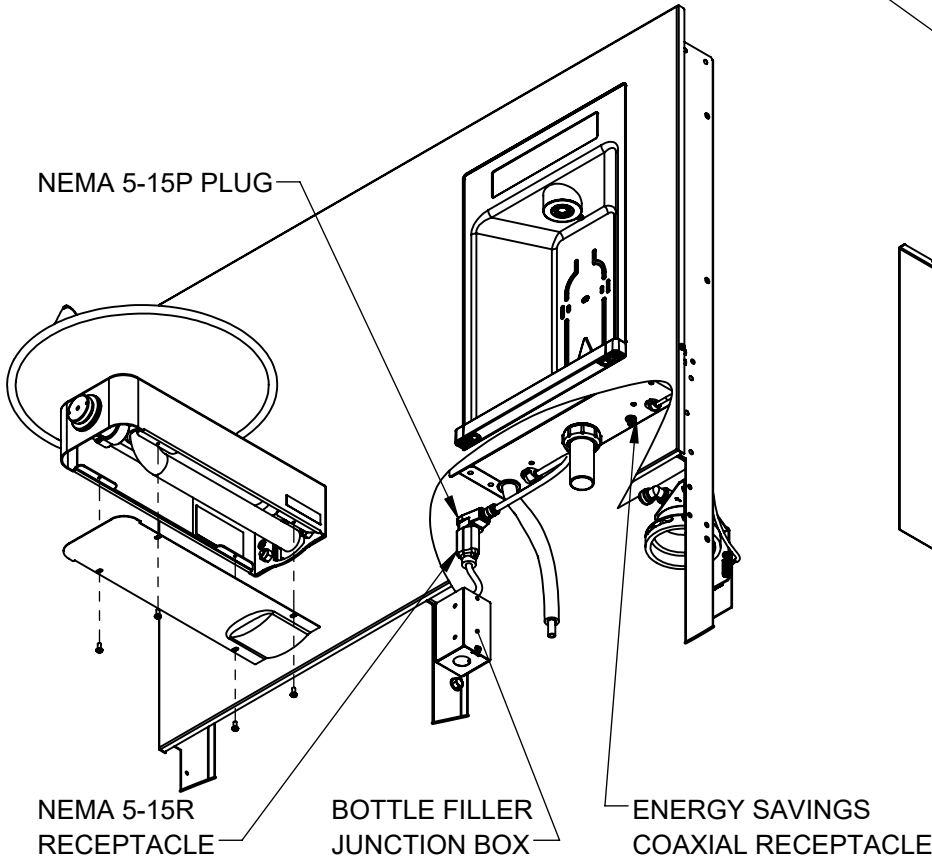
Haws[®]

Since 1906

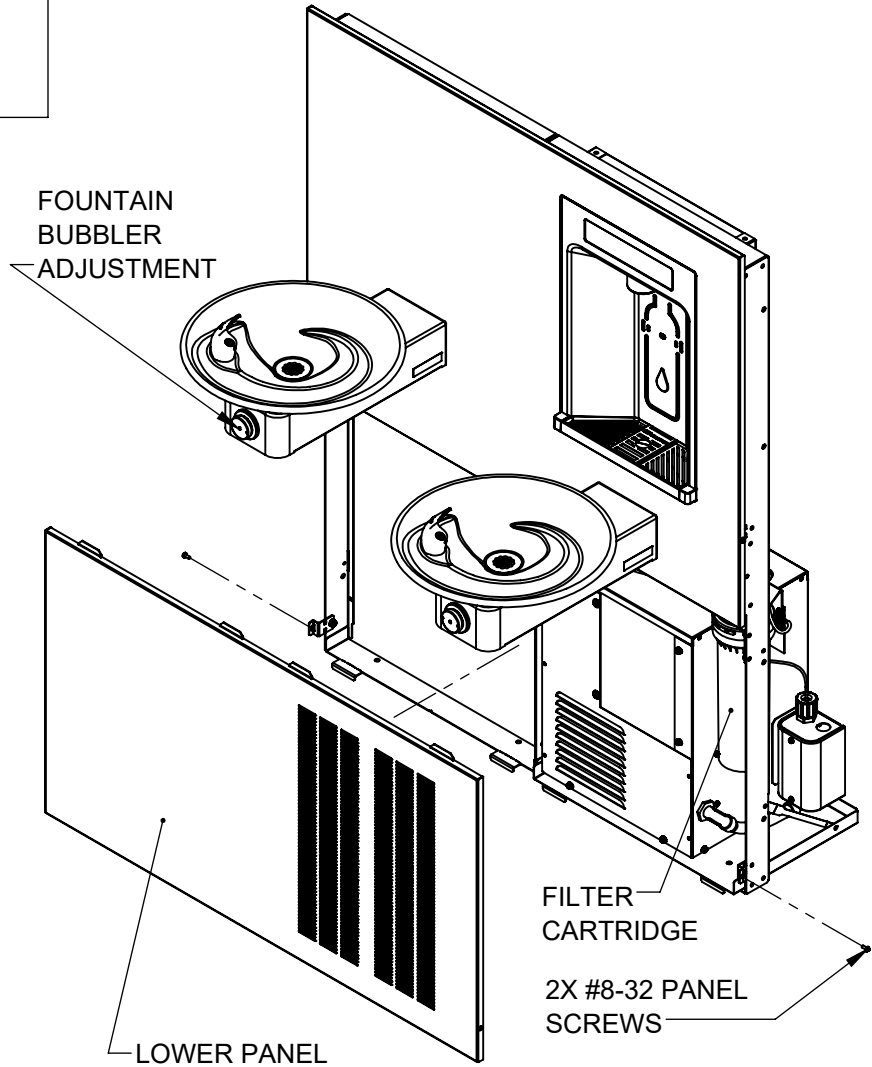
1455 KLEPPE LANE
SPARKS, NEVADA 89431
(775) 359-4712 FAX (775) 359-7424
E-MAIL: HAWS@HAWSO.COM
WEBSITE: WWW.HAWSO.COM

ECN: 6000	REV. ECN: 6000	BY: DHP	MODEL(S): 1XXXHSA.8, DUAL FOUNTAIN MODELS, CHILLED	PART NUMBER: 0510002201.D
DRAWN: DHP	DATE: 12/15/22	CHKD:		REVISION: 0A.5
APPROVED:	DATE:		SCALE: 1:16 DRAWING TYPE: INSTALLATION	SIZE: A SHEET 10 OF 11


19. CONNECT THE ENERGY SAVINGS RELAY CABLE TO THE ENERGY SAVINGS COAXIAL RECEPTACLE ON THE BOTTLE FILLER.
20. CONNECT THE NEMA 5-15P BOTTLE FILLER PLUG TO THE NEMA 5-15R RECEPTACLE. VERIFY THAT THE BOTTLE FILLER DISPLAY HAS POWERED ON.
21. INSTALL THE FILTER CARTRIDGE INTO THE FILTER HEAD.
22. MOUNT THE LOWER PANEL USING 2X #8 PANEL SCREWS (SUPPLIED).
23. INSTALL DRINKING FOUNTAIN LOWER COVERS WITH 4X #8 PAN HEAD SCREWS (SUPPLIED) PER FOUNTAIN.



ELECTRICAL CONNECTIONS AND DRINKING FOUNTAIN LOWER COVER (SOME COMPONENTS HIDDEN FOR CLARITY)



LOWER PANEL INSTALLATION

 Haws Since 1906		1455 KLEPPE LANE SPARKS, NEVADA 89431 (775) 359-4712 FAX (775) 359-7424 E-MAIL: HAWS@HAWS.CO.COM WEBSITE: WWW.HAWS.CO.COM	
		ECN: 6000 DRAWN: DHP APPROVED:	REV. ECN: 6000 DATE: 12/15/22
PART NUMBER 0510002201.D			REVISION 0A.5
SCALE: 1:12 DRAWING TYPE: INSTALLATION		SIZE: A SHEET 11 OF 11	