

## FEATURES & BENEFITS

### CONSTRUCTION

Rugged ADA accessible 18 gauge Type 304 Stainless Steel swirl design bowls, 14 gauge Type 304 Stainless Steel brackets, and a vandal-resistant bottom plate provides a long lasting unit with added peace of mind.

### HANDS FREE

Touchless operation for safety and peace of mind.

### MOUNTING

Galvanized frame and 10 gauge surface plate provide the maximum mounting strength for the 'Hi-Lo' MS style Haws drinking fountains.

### BUBBLER HEADS

Polished chrome-plated brass bubbler heads with integral laminar flow prevents splashing while providing a superior flow pattern. The integral 1 1/16" dia. basin shank and stainless anti-rotation roll pin for vandal resistance strength. Shielded, angled stream opening provides a steady source of drinking water at .45 gpm.

### FOUNTAIN VALVES

Fountain incorporates a touchless sensor operated stainless steel solenoid valve controlled by a transformer on one side and a push-button activated valve which offers the only all stainless steel valve body that is machined out of solid bar stock and is fully serviceable through the front of the push button assembly offering access to the water control cartridge and integral water supply strainer on the other.

### VANDAL RESISTANT

The bubbler heads, push button, round bowls, drain strainers and bottom plates are locked in place, discouraging unwanted vandalism.

### CUSTOM LOGO PANEL

Personalize your new or existing fountain or bottle filler where space permits with an optional customizable 10" high by 4.25" wide stainless steel panel. Virtually any company logo, event logo or graphic can be placed on this panel. Mounted with strong, moisture-resistant adhesive backing.

## OPTIONS

- Remote Drinking Fountain Water chiller: Model HCR8, 8 gph (30.3 L) remote water chiller provides instantaneous cooling to meet a continuous demand for chilled water.
- Bottle Filler: Model 1920HO, bottle filler can be a stand-alone station, or mounted above Haws 1011 series drinking fountain models.
- Cane Detection, Floor Mounted: Model SK6, floor mounted cane detection for the Haws Hi-Lo drinking fountains.

For more information, visit [www.hawscow.com](http://www.hawscow.com) or call (888) 640-4297.



## SPECIFICATIONS

Model 1011MSHO ADA vandal-resistant wall mounted combination motion-activated/push button drinking fountain with mounting system shall include dual 18 gauge Type 304 Stainless Steel satin finish basins with integral swirl design, 14 gauge Type 304 Stainless Steel wall brackets, stainless steel satin finish back and access panels allowing for front access of P-trap and stop, in-wall mounting frame, 100% lead-free waterways, touchless sensor operated solenoid valve with 30-second obstruction time-out on one side, and push button operated stainless steel valve with front-accessible cartridge and flow adjustment on the other, polished chrome-plated brass vandal-resistant bubbler heads with integral laminar anti-squirt flow, chrome-plated brass vandal resistant waste strainers, vandal resistant bottom plates, high and low fountain mounting levels, and 1-1/4" O.D. (3.2 cm) waste pipes.

**REQUIRES MODEL MTGFR.DF2 PRICED SEPARATELY.**

**FOR INDOOR USE ONLY**

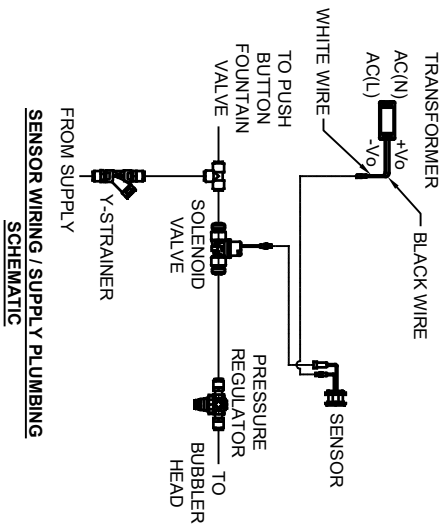
## APPLICATIONS

Perfect for either public or private indoor/outdoor settings, Model1011MSHO is a great fit in areas where aesthetics are important to the overall appeal of the architecture. Specifically, this type of wall mounted drinking fountain may be placed in settings such as: schools and other locations in and around office buildings where the temperature remains above freezing. Model meets all current Federal Regulations for the disabled including those in the Americans with Disabilities Act. Haws manufactures drinking fountains, faucets and electric water coolers to be lead-free by all known definitions including NSF/ANSI/CAN 61- Section 9, NSF/ANSI/CAN 372, California Proposition 65, and the Federal Safe Drinking Water Act. Product is compliant to California Health and Safety Code 116875 (AB 1953-2006), and NSF/ANSI/CAN 61: Q ≤ 1.

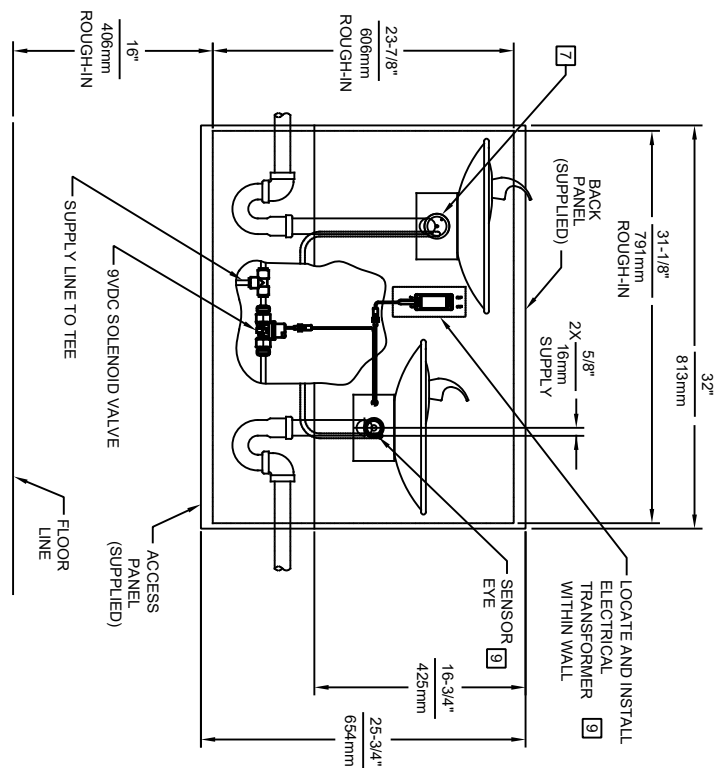
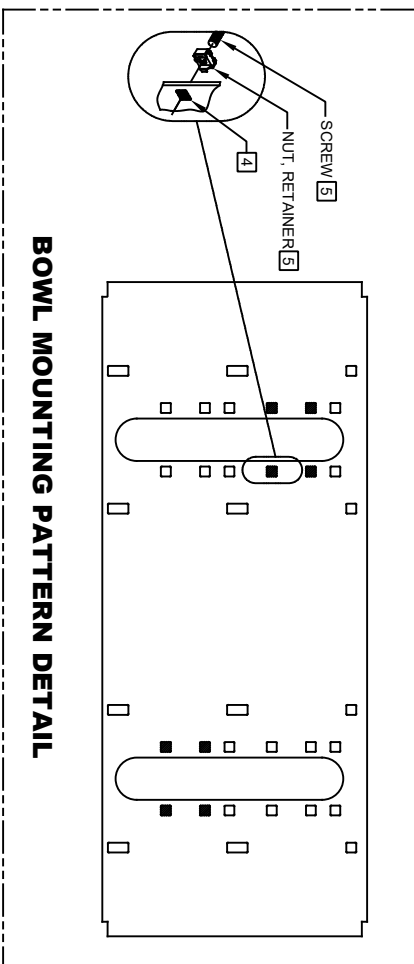


**NOTES:**

1. HOLD ROUGH-IN DIMENSIONS ±1/8" (3.2mm).
2. WHEN INSTALLING THIS UNIT, LOCAL, STATE, OR FEDERAL CODES SHOULD BE ADHERED TO FOR DIMENSIONS (LOCATIONS), WASTE AND SUPPLY REQUIREMENTS OTHER THAN SHOWN.
3. INSTALLER MUST PROVIDE TRAP (NOT SUPPLIED) FOR PROPER INSTALLATION.
4. HOLE COMBINATION SHOWN IS FOR USE WITH LOW FOUNTAIN ON THE RIGHT AND HIGH FOUNTAIN ON THE LEFT. USE OPPOSITE HOLES FOR HIGH ON RIGHT AND LOW ON LEFT.
5. TO CHANGE FOUNTAIN MTG. SCREW LOCATIONS: FIRST REMOVE SCREWS AND THEN SQUEEZE CLIPS ON NUT RETAINER TO POP OUT. SNAP INTO NEW POSITIONS FROM BACKSIDE AND RE-ASSEMBLE SCREWS.
6. IMPORTANT: A L.H. LOW (OPTIONAL) CONFIGURATION WILL REQUIRE A DIFFERENT BACK PANEL AND THE WASTE AND SUPPLY DIMENSIONS SHOWN (\*) MUST BE REVERSED.
7. REFER TO 5874 SERIES OPERATION AND MAINTENANCE MANUAL FOR PUSH BUTTON AND VALVE INSTALLATION/MAINTENANCE INSTRUCTIONS.
8. REMOVE VALVE FROM PUSH BUTTON TO INSTALL WASTE ELBOW ONTO BOWL. AFTER WASTE ELBOW IS INSTALLED, REINSTALL VALVE AND ADJUST FLOW.
9. REFER TO 1RKH0H & 2RKH0H OPERATION AND MAINTENANCE INSTRUCTIONS FOR TRANSFORMER AND SENSOR SETUP.

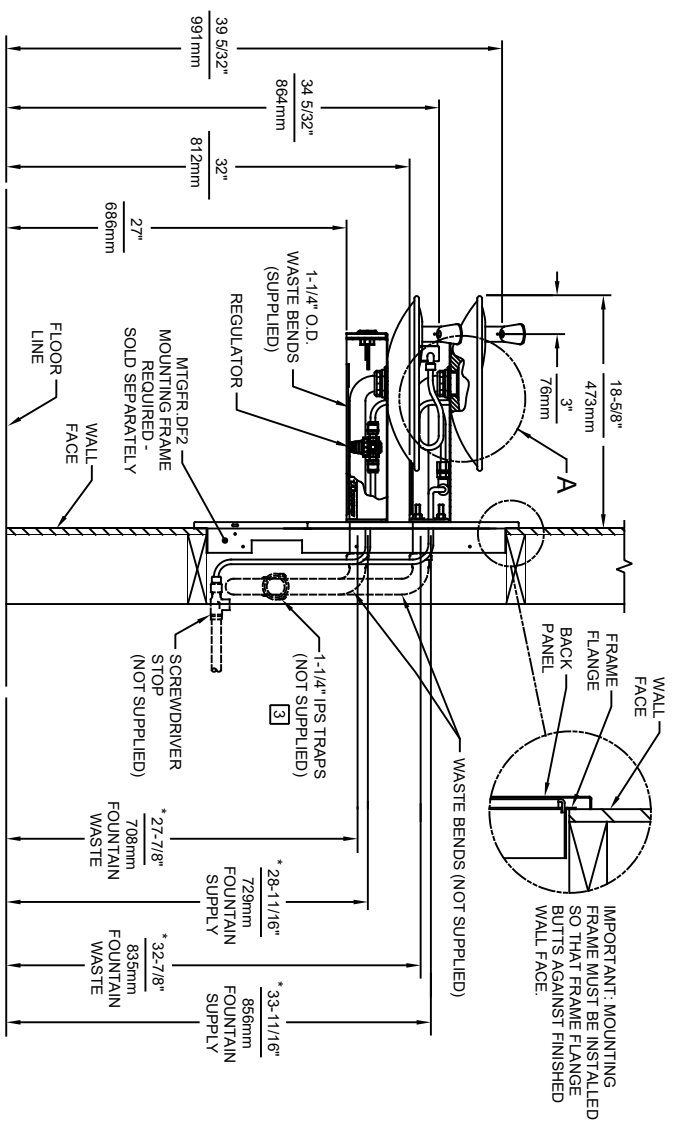
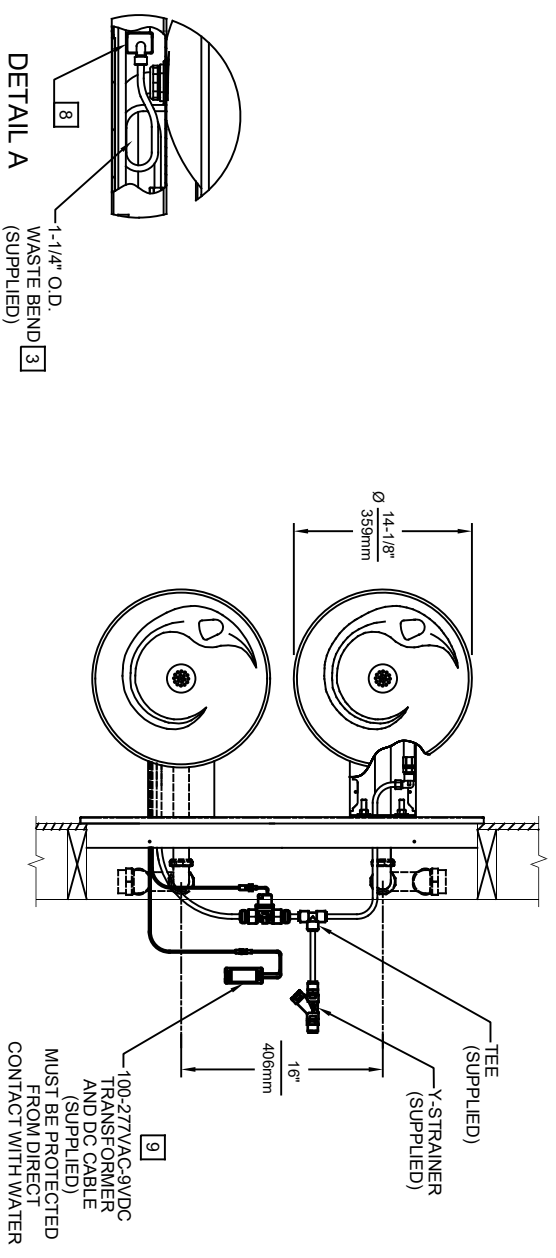


SENSOR WIRING / SUPPLY PLUMBING SCHEMATIC



MODEL 1011MSHO SHOWN  
 MODEL 1011MSHO2 ON SHEET 3  
 (ROUGH-IN DIMENSIONS APPLY TO BOTH MODELS)

		<b>MODEL(S)</b>	
1456 KLEPPE LANE SPARKS, NEVADA 89431 (775) 359-4712 FAX (775) 359-7424 E-MAIL: HAWS@HAWS.CO.COM WEBSITE: WWW.HAWS.CO.COM		1011MSHO/1011MSHO2	
ECN NO. REVISED PER BY:	ECN. 5701 FV	DATE:	CHKD:
5701	5701	05/27/21	DP
APPROVED:	SCALE:	1:16	DRAWING TYPE:
FV	06/02/21		INSTALLATION
PART NUMBER	0510001206.D	REVISION	1
SIZE:	A	SHEET:	1 OF 3



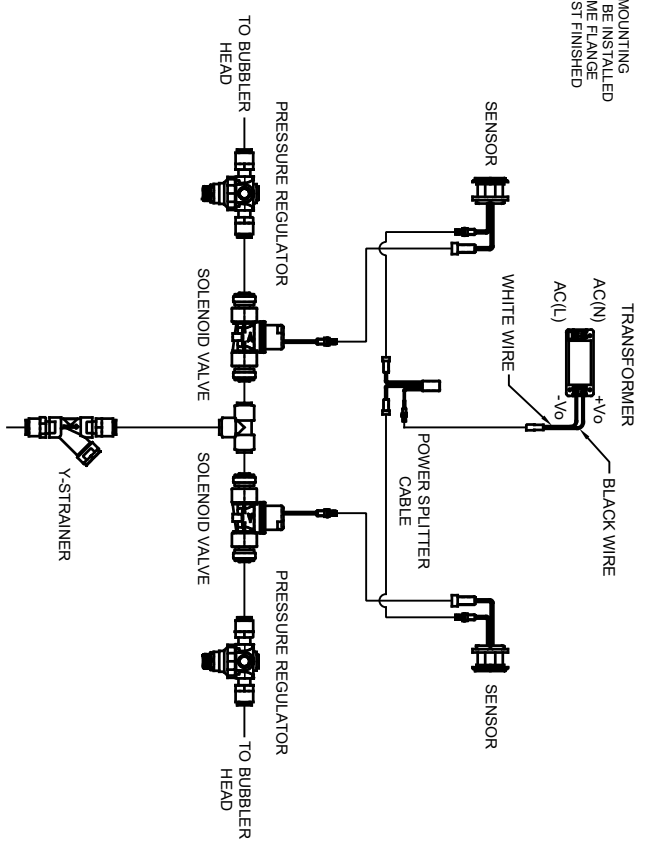
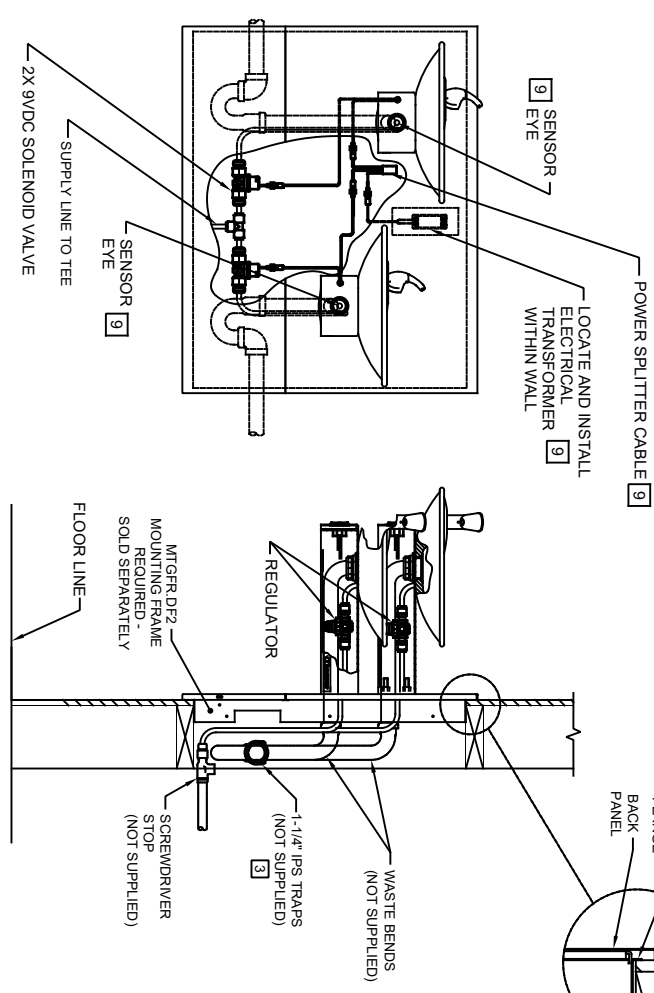
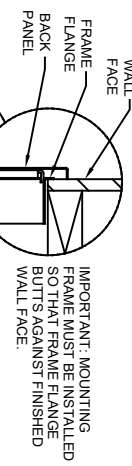
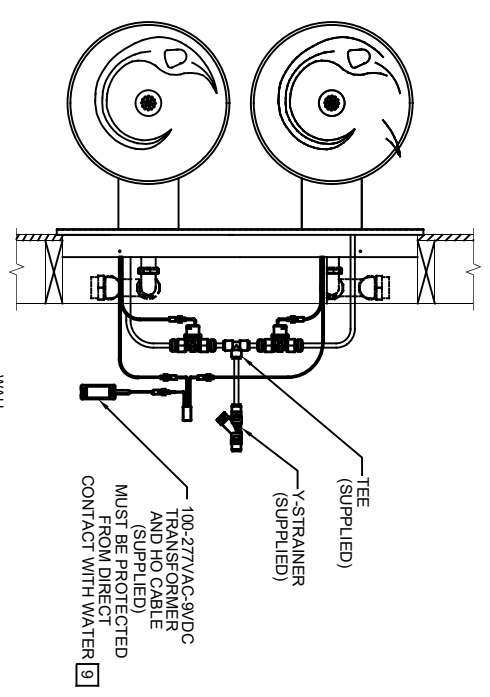
MODEL 1011MSHO SHOWN  
 MODEL 1011MSHO2 ON SHEET 3  
 (ROUGH-IN DIMENSIONS APPLY TO BOTH MODELS)



**Haws**

1459 KLEPPE LANE  
 SPARKS, NEVADA 89431  
 (775) 359-4712 FAX (775) 359-7424  
 E-MAIL: HAWS@HAWSCO.COM  
 WEBSITE: WWW.HAWSCO.COM

ECN NO. REVISED PER BY:	MODEL(S)	PART NUMBER
5701 ECN: 5701 FV	1011MSHO/1011MSHO2	0510001206.D
DATE: 05/31/21	SCALE: 1:16	REVISION: 1
DATE: 06/02/21	DRAWING TYPE:	SHEET 2 OF 3
DATE: 06/02/21	INSTALLATION:	



**SENSOR WIRING / SUPPLY PLUMBING SCHEMATIC**

MODEL 1011MSHO2 SHOWN  
 MODEL 1011MSHO ON SHEETS 1 AND 2  
 (SEE SHEETS 1 AND 2 FOR APPLICABLE ROUGH-IN DIMENSIONS)

		<b>MODEL(S)</b>	
1459 KLEPPE LANE SPARKS, NEVADA 89431 (775) 359-4712 FAX (775) 359-7424 E-MAIL: HAWS@HAWSCO.COM WEBSITE: WWW.HAWSCO.COM		1011MSHO/1011MSHO2	
PART NUMBER 0510001206.D		REVISION 1	
ECN NO. REVISED PER BY: 5701	ECN: 5701	DATE: 06/01/21	CHK'D: DP
APPROVED: FV	DATE: 06/02/21	SCALE: 1:1	DRAWING TYPE: INSTALLATION
SIZE: A		SHEET 3 OF 3	