



INSTALLATION, OPERATION & MAINTENANCE INSTRUCTIONS

1455 Kleppe Lane ♦ Sparks, NV 89431-6467 ♦ (775) 359-4712 ♦ Fax (775) 359-7424
E-mail: haws@hawsco.com ♦ website: www.hawsco.com

No. 0510002269 (1)

1109PCH/1107PCH/1311PCH Drinking Fountain Bundles

NOTE TO INSTALLER: Please leave this information with the Maintenance Department.

LIMITED WARRANTY

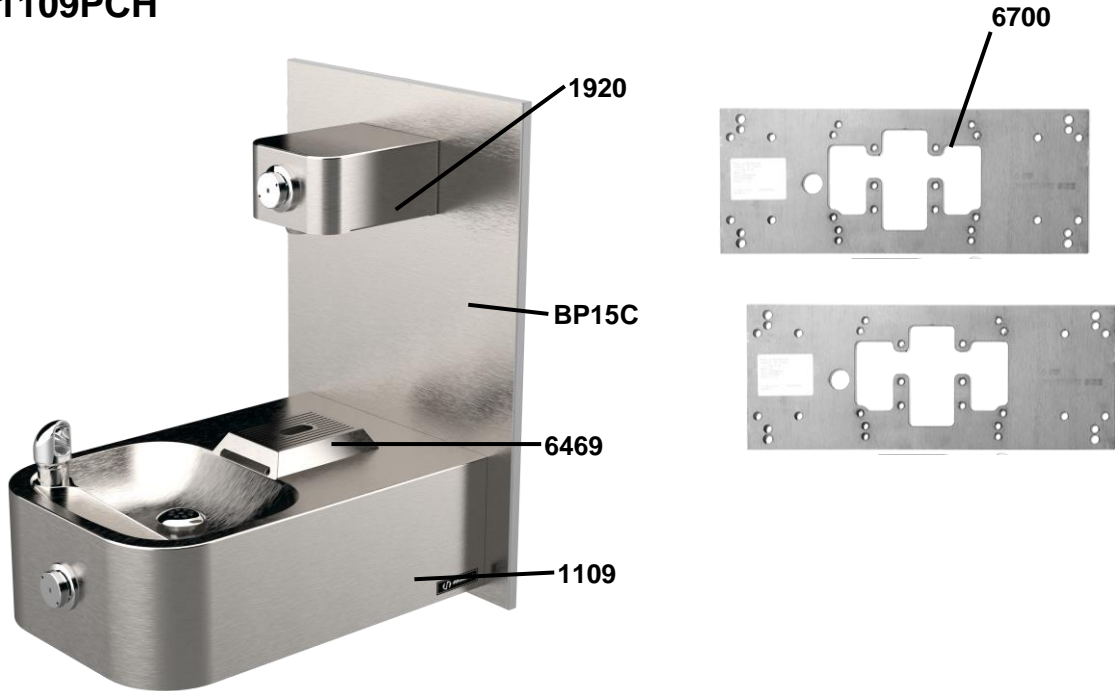
HAWS warrants that all of its products are guaranteed against defective material or poor workmanship for a period of **one year from the date of shipment**. The foregoing notwithstanding, *HAWS* warrants certain specific products or components thereof for an adjusted period. A list of these excepted products and components and a description of their respective warranty terms may be found here: www.hawsco.com/warranty. *HAWS'* liability under this warranty shall be discharged by furnishing without charge F.O.B. *HAWS* factory any goods, or part thereof, which shall appear to the Company upon inspection to be of defective material or not of first-class workmanship, provided that a claim is made in writing to Company within a reasonable period after receipt of the product. Where claims for defects are made, the defective part or parts shall be delivered to the Company, prepaid, for inspection. *HAWS* shall not be liable for the cost of repairs, alterations or replacements, or the labor required to implement them, or for any expense connected therewith made by the owner or owner's agents, except upon written authority from *HAWS*. *HAWS* shall not be liable for any damages caused by defective materials or poor workmanship, except for replacements, as provided above. Buyer agrees that *HAWS* has made no other warranties either express or implied in addition to those above stated, except that of title with respect to any of the products or equipment sold hereunder and that *HAWS* shall not be liable for general, special, incidental, or consequential damages claimed to arise under the contract of sale.

Equipment manufactured by *HAWS* is warranted to function if installation and maintenance instructions provided are adhered to. The units also must be used for the purpose for which they were intended. Any *HAWS* emergency equipment is intended to supplement first-aid treatment. Due to widely varying conditions, *HAWS* cannot guarantee that the use of this emergency equipment will prevent serious injury or the aggravation of existing or prior injuries.

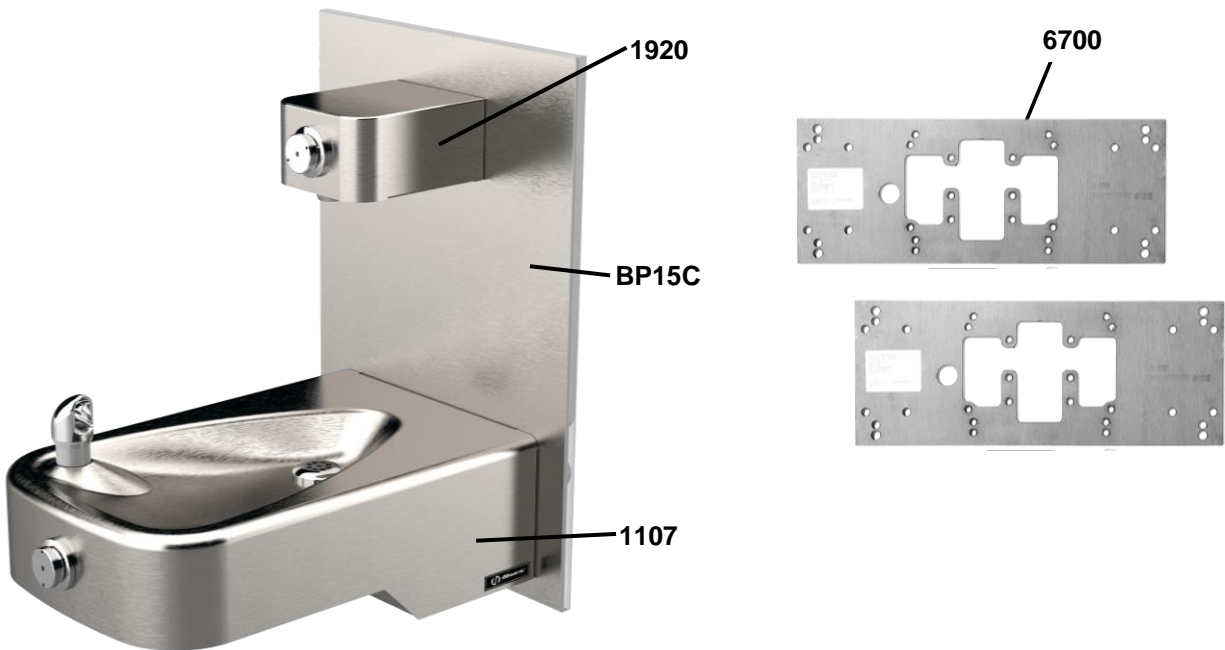
EXCEPT AS EXPRESSLY STATED HEREIN, HAWS HEREBY DISCLAIMS ALL WARRANTIES, WHETHER EXPRESS OR IMPLIED, ARISING BY LAW OR OTHERWISE, INCLUDING WITHOUT LIMITATION, ANY IMPLIED WARRANTIES OF MERCHANTABILITY AND FITNESS FOR A PARTICULAR PURPOSE. THIS WARRANTY MAY NOT BE MODIFIED OR EXTENDED WITHOUT THE WRITTEN CONSENT OF HAWS. REMEDIES AND REPLACEMENTS STATED HEREIN ARE EXCLUSIVE. IN NO EVENT SHALL HAWS BE LIABLE FOR ANY SPECIAL, PUNITIVE, CONSEQUENTIAL, OR INCIDENTAL DAMAGES TO ANY PERSON INCLUDING BUT NOT LIMITED TO DAMAGES FOR LOSS OF USE OR PROFITS, SUBSTITUTE PRODUCTS OR COSTS, PROPERTY DAMAGE, OR OTHER MONETARY LOSS.

MODELS

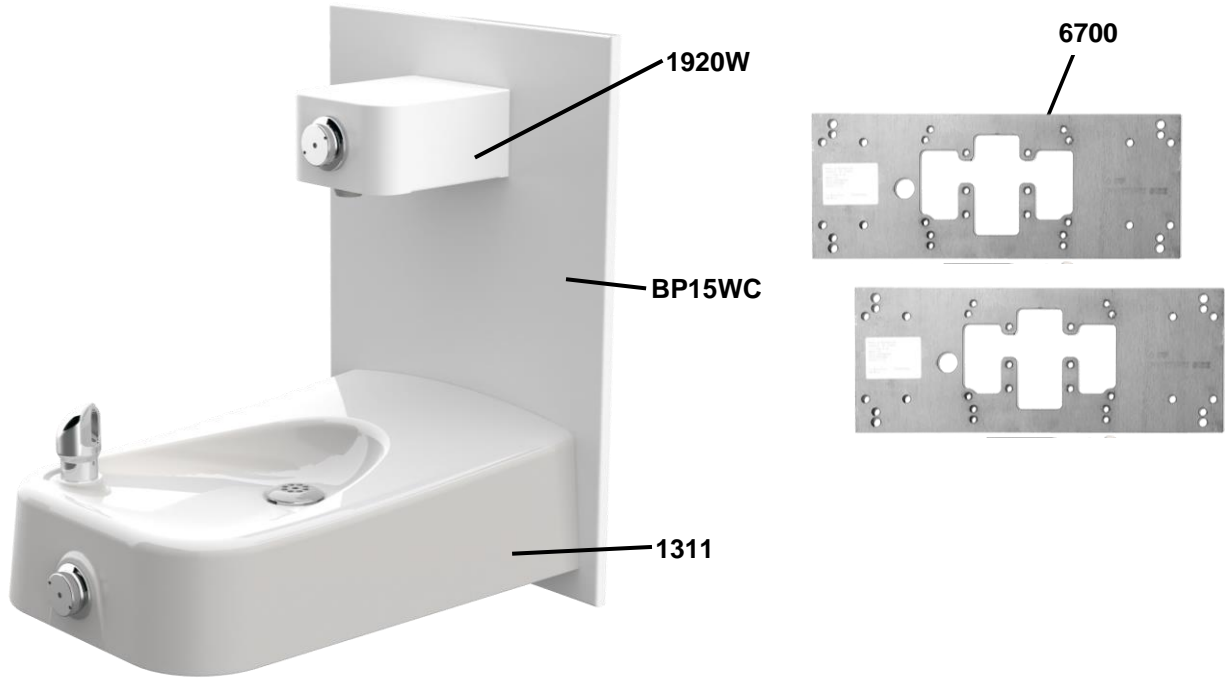
Model 1109PCH



Model 1107PCH



Model 1311PCH



SHOULD YOU EXPERIENCE DIFFICULTY WITH THE INSTALLATION OF THIS MODEL PLEASE CALL:

TECHNICAL SUPPORT: 1-800-766-5612

FOR CUSTOMER SERVICE: 1-888-640-4297

RECOMMENDED TOOLS: Hack saw, pipe joint sealant, screwdriver, level, 12" adjustable wrench, 10" pipe wrench, 5/64" hex key wrench, 9/16", 1/2", 7/16" socket wrench or open end wrench, tubing cutter.

LOCATION OF UNIT: The Model 1109PCH/1107PCH/1311PCH Drinking Fountain is a wheelchair accessible drinking water facility. The height dimensions shown, meet current ADA requirements. When installing this unit, local, state or federal codes should be adhered to. If height other than shown is required, then dimensions must be adjusted accordingly.

SUPPLY LINE: The minimum recommended line size is 1/2"IPS with 30-90 psi (2-6 ATM) pressure. Where sediment or mineral content is a problem, an inlet filter is recommended.

PLUMBING CONNECTIONS: Inlet is 3/8"O.D. push-in type fitting. Waste outlet is female 1-1/4" IPS.

MAINTENANCE: Periodically clean the strainer. Refer to 5874 Series Valve Manual for more information.

PARTS LIST

FOR MODEL 1109PCH	QUANTITY	ITEMS INCLUDED
1109	1	Vandal Resistant Drinking Fountain
1920	1	Vandal Resistant Push Button Bottle Filler
6469	1	Drip Tray
BP15C	1	Back Panel
6700	2	Mounting Plate
FOR MODEL 1107PCH	QUANTITY	ITEMS INCLUDED
1107	1	Vandal Resistant Drinking Fountain
1920	1	Vandal Resistant Push Button Bottle Filler
BP15C	1	Back Panel
6700	2	Mounting Plate
FOR MODEL 1311PCH	QUANTITY	ITEMS INCLUDED
1311	1	Vandal Resistant Iron-Enameled Drinking Fountain
1920	1	Vandal Resistant Push Button Bottle Filler
BP15WC	1	Back Panel
6700	2	Mounting Plate

INSTALLATION PROCEDURE

NOTE: The product manuals included in this bundle contain images and directions for various models and configurations. Please note that not all images and configurations are relevant to this bundle.

NOTE: This bundle provides all necessary parts for installation.

Use this manual as a reference for setting up this bundle. Follow the steps below to complete installation.

STEP 1: Install Mounting Plates (6700)

Provide a wall opening for two 6700 mounting plates, using the installation instructions located in the 6700 product boxes.

STEP 2: Install Back Panel BP15 & Bottle Filler (1920 or 1920W)

Install the BP15C (or BP15WC) back panel and the 1920 (or 1920W) bottle filler onto the higher 6700, using the installation instructions located in the BP15C (or BP15WC) and 1920 (or 1920W) product boxes.

STEP 3: Install Drinking Fountain (1109, 1107, or 1311) & Fountain Back Panel (BP3, if included)

Model 1109-CH: Install the 1109 drinking fountain to the lower mounting plate, using the installation instructions located in the 1109 and BP15C product boxes.

Model 1107PCH: Install the 1107 drinking fountain to the lower mounting plate, using the installation instructions located in the 1107 and BP15C product boxes.

Model 1311PCH: Install the 1311 drinking fountain to the lower mounting plate, using the installation instructions located in the 1311 and BP15WC product boxes.

STEP 4: Install Drip Tray (6469)

Attach the 6469 drip tray to the fountain beneath the bottle filler, using the installation instructions located in the 6469 product box.

Refer to the troubleshooting guide within the appropriate product manual for any issues.

© 2024 Haws® Corporation – All Rights Reserved

HAWS® and other trademarks used in these materials are the exclusive property of Haws Corporation.