



INSTALLATION, OPERATION & MAINTENANCE INSTRUCTIONS

1455 Kleppe Lane ♦ Sparks, NV 89431-6467 ♦ (775) 359-4712 ♦ Fax (775) 359-7424
E-mail: haws@hawsco.com ♦ website: www.hawsco.com

No. 0510002225 (1)

RECESSED ARCHITECTURAL BOTTLE FILLER MODEL 2000HS

NOTE TO INSTALLER: Please leave this information with the Maintenance Department.

LIMITED WARRANTY

HAWS warrants that all of its products are guaranteed against defective material or poor workmanship for a period of **one year from the date of shipment**. The foregoing notwithstanding, *HAWS* warrants certain specific products or components thereof for an adjusted period. A list of these excepted products and components and a description of their respective warranty terms may be found here: www.hawsco.com/warranty. *HAWS'* liability under this warranty shall be discharged by furnishing without charge F.O.B. *HAWS* factory any goods, or part thereof, which shall appear to the Company upon inspection to be of defective material or not of first-class workmanship, provided that a claim is made in writing to Company within a reasonable period after receipt of the product. Where claims for defects are made, the defective part or parts shall be delivered to the Company, prepaid, for inspection. *HAWS* shall not be liable for the cost of repairs, alterations or replacements, or the labor required to implement them, or for any expense connected therewith made by the owner or owner's agents, except upon written authority from *HAWS*. *HAWS* shall not be liable for any damages caused by defective materials or poor workmanship, except for replacements, as provided above. Buyer agrees that *HAWS* has made no other warranties either express or implied in addition to those above stated, except that of title with respect to any of the products or equipment sold hereunder and that *HAWS* shall not be liable for general, special, incidental, or consequential damages claimed to arise under the contract of sale.

Equipment manufactured by *HAWS* is warranted to function if installation and maintenance instructions provided are adhered to. The units also must be used for the purpose for which they were intended. Any *HAWS* emergency equipment is intended to supplement first-aid treatment. Due to widely varying conditions, *HAWS* cannot guarantee that the use of this emergency equipment will prevent serious injury or the aggravation of existing or prior injuries.

EXCEPT AS EXPRESSLY STATED HEREIN, HAWS HEREBY DISCLAIMS ALL WARRANTIES, WHETHER EXPRESS OR IMPLIED, ARISING BY LAW OR OTHERWISE, INCLUDING WITHOUT LIMITATION, ANY IMPLIED WARRANTIES OF MERCHANTABILITY AND FITNESS FOR A PARTICULAR PURPOSE. THIS WARRANTY MAY NOT BE MODIFIED OR EXTENDED WITHOUT THE WRITTEN CONSENT OF HAWS. REMEDIES AND REPLACEMENTS STATED HEREIN ARE EXCLUSIVE. IN NO EVENT SHALL HAWS BE LIABLE FOR ANY SPECIAL, PUNITIVE, CONSEQUENTIAL OR INCIDENTAL DAMAGES TO ANY PERSON INCLUDING BUT NOT LIMITED TO DAMAGES FOR LOSS OF USE OR PROFITS, SUBSTITUTE PRODUCTS OR COSTS, PROPERTY DAMAGE, OR OTHER MONETARY LOSS.

SHOULD YOU EXPERIENCE DIFFICULTY WITH THE INSTALLATION OF THIS MODEL PLEASE CALL:

TECHNICAL SUPPORT: 1-800-766-5612
FOR CUSTOMER SERVICE: 1-888-640-4297

SAFETY PRECAUTIONS

CAUTION: Disconnect electrical power to outlet before installing or servicing.

NOTICE:

- A. The electrical receptacle must have code-approved ground-fault circuit interrupter (GFCI) protection for personnel.
- B. Care should be taken not to damage electrical wires during installation.
- C. Installation must conform to all applicable codes and standards.
- D. Maintain 8 inches (20cm) separation from filter circuit board (antenna) at all times.

REQUIRED TOOLS (OR EQUIVALENT):

- Adjustable Wrench
- 1/4" Bit-holding screwdriver
- T20 Torx Bit (supplied)
- Small bubble level
- Tape measure and tools for properly marking and measuring wall
- Clean cloth or paper towels
- Tubing cutter for polyethylene tubing
- Permanent marker

REQUIRED PARTS (NOT SUPPLIED):

- P-trap (1-1/2" recommended) with appropriate seal for 1-1/4" OD drain hose adapter
- Suitable 1-1/4" trap adapter
- Suitable supply stop valve with 3/8" compression outlet
- (6) 1/4" fasteners suitable for fastening bottle filler to structural material in wall.
- Plastic cup (for bleeding air out of system following install)

LOCATION OF UNIT: The Model 2000HS is suitable for indoor use only. These units are unsuitable for corrosive environments (such as enclosed chlorinated pool areas) or very dusty areas. The ambient air temperature must be maintained between 40°F and 104°F at all times. Installation into a location not meeting these limitations will void the warranty.

SUPPLY LINE: The min recommended size is 1/2" IPS with 20-105 psig (1.4-7.1 ATM) flowing pressure. Where sediment or mineral content is a problem, an upstream water pre-filter is recommended. Do not use with Reverse Osmosis (RO) water.

PLUMBING CONNECTIONS: Inlet is 3/8" OD polyethylene tubing. A suitable plastic ferrule and metal insert are provided to allow direct connection to a 3/8" compression water stop valve. Drain hose adapter is 1-1/4" OD ABS.

ELECTRICAL CONNECTION: 120VAC/60HZ GFCI-Protected circuit, min 15A service.

INSTALLATION PROCEDURE

GENERAL NOTES:

- For all plastic push-in type fitting connections, only connect NSF-61 soft-copper or plastic tubing. These instructions must be followed to ensure a watertight connection:
 - a. If tubing needs to be shortened, cut tubing square and clean.
 - b. Mark from end of tube the depth of insertion (See table below).
 - c. Push tube into the fitting until it bottoms out.
 - d. To remove, depress collet and pull tubing out.

Tube OD Size	OD Tolerance	Insertion Depth
3/8"	±.004"	3/4"

- All units ship with both a filter and strainer. The built-in RFID system will determine whether a filter or strainer is installed and configure the unit accordingly.

A. INSTALLATION

1. Verify that the wall cavity, water supply/valve and drain locations are in accordance with the installation drawing.
2. Follow the instructions outlined in the installation drawing (see pages 10-16) to install the unit.
3. NOTE: The unit is provided with both a Strainer (110 micron mesh) and a Filter. If desired, install the strainer cartridge instead of the filter cartridge. Strainer cartridge should be replaced every 5 years.

B. START-UP

1. Open the water supply valve and check the system for leaks.
2. Reconnect power at the breaker panel, then place a cup under the nozzle of the bottle filler and run the water until the air has been purged out of the water line.
3. Remove protective plastic film from the upper and lower stainless-steel panels.
4. NOTE: If the unit has a filter, run the bottle filler for 10 minutes to properly flush the filter.
5. The stainless steel panels can be cleaned with stainless steel cleaner and a clean cloth or paper towel. Do not allow the cleaning fluid to touch the plastic parts of the unit.

C. OPTIONAL PROGRAMMING INSTRUCTIONS

To enter programming mode, press and hold the Haws logo button on the bottle filler display until the up/down arrow keys and "select" appear. Programming mode enters at the top-level menu. In general, the up/down arrows and select keys work as follows.

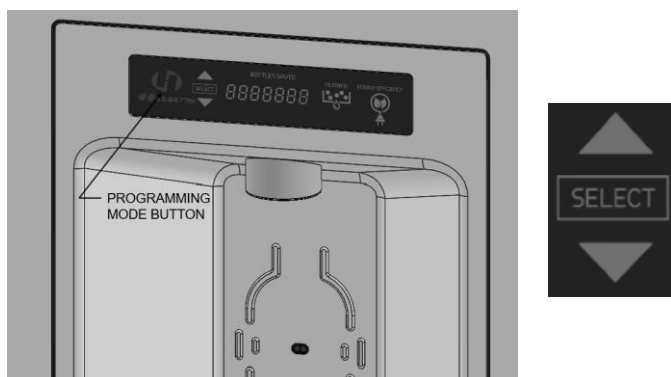


Figure 1: Programming Mode Button viewed from front of unit

Up/Down Arrows – Cycle through the top-level menu items or values in the programmable fields.

Select – enters programming of the associated top-level menu item, or sets value and advances to next programmable field, or programs value (indicated by value flashing) prior to returns to the main menu.

Programming the Haws 2000HS through the user interface is intuitive. However, the following Bottle Filler Programming Table can be used as a guide while programming the unit. Settings are retained during power outages.

Bottle Filler Programming Table			
Top-Level Menu	Arrows (cycle through...)	Select	Default
Backlight	100%, 75%, 50%, 25%, Cancel	Percentage Value - programs brightness Cancel – returns to main menu	100%
Sensor	Range (rng) from 1 to 10, Cancel	Range 1 to 10 - programs range Cancel – returns to main menu Note: A range halfway between sensor lens and closest side of water stream is recommended.	Rng 5
Errors (displays as Error5)	No Errors – None or Cancel. Errors - error codes (see Error Code Table for details), Clear, and Cancel	None or Cancel – returns to main menu Error Code – shows human readable (see next Arrow) Clear – clears error codes Cancel – returns to main menu	None
Set Day	Days of week or Cancel	Day of week – programs day Cancel – returns to main menu	Sunday
Time	Hour from 1 to 12, or Cancel Minute from 00 to 59, or Cancel A, P, or Cancel	1 to 12 – programs hour of day 00 to 59 – programs minute of hour A or P – programs 12-hour clock AM or PM Cancel – returns to main menu	12:00A
Energy*	M-F, Sa-Su, and Cancel On 1 to 12, disable, or Cancel A, P, or Cancel Off 1 to 12, or Cancel A, P, or Cancel	M-F or Sa-Su - enters programmable energy saving for that portion of the week and advanced to hour to turn ON energy saving mode Cancel – returns to main menu On 1 to 12 – sets hour to turn “ON” energy saving and advance to A or P field (see Note 1) disable – turns “OFF” energy saving for that portion of the week (i.e. Mon-Fri or Sa-Su) and returns to main menu Cancel – returns to main menu without changing program Sets 12-hour clock AM or PM and advanced to programming OFF time (see Note 1) Cancel – returns to main menu with changing program Off 1 to 12 – sets hour to turn “Off” energy saving and advance to A or P field (see Note 1) Cancel – returns to main menu without changing program Sets 12-hour clock AM or PM and advanced to OFF setting (see Note 1) Cancel – returns to main menu without changing program	Mon-Fri = disable Sa-Su = disable
Review		Cycles through time, day, energy program, backlight setting, sensor setting, filter usage, and errors codes	N/A
Reset	Cancel or Yes	Cancel – returns to main menu without factory reset Yes – resets to factory defaults, but saves bottle count	See defaults above
EW	No arrow or select function. Displays firmware revision number for Main circuit board.		N/A
DS	No arrow or select function. Displays firmware revision number for Display circuit board.		N/A
Abort		Exits programming mode	N/A
Notes:			
1. Example: To turn on programmable energy saving from 6p.m. to 5a.m., Monday through Friday, use the up/down arrows and follow the flashing field prompt to select “on 6” the “P”, then “oFF 5” and “A”.			

D. MAINTENANCE

D.1. CLEANING

- Metal parts can be cleaned with either of the following:
 - A clean towel, dampened by warm water with or without a small amount of mild hand dishwashing detergent.
 - Stainless steel cleaner. Buff off excess with a clean cloth or paper towel. Do not allow the cleaning fluid to touch the plastic parts or the bottle filler.
- Plastic parts (including bottle filler nozzle):
 - A clean towel, dampened by warm water with or without a small amount of mild hand dishwashing detergent.

D.2. FILTER/STRAINER REPLACEMENT

Caution: Take care not to damage the circuit board located above the filter head during the following steps.

1. Remove the (2) lower panel screws (T20 Torx). Then remove the lower panel by sliding down and away from the unit.
2. Place a towel below the filter to collect the small amount of water that may drip from the filter head or filter during the next steps.
3. Optional: Turn the water supply valve to the off position, and bleed pressure from the unit by operating the bottle filler. This will improve the ease of replacing the filter.
4. Swivel filter outwards and remove by turning about ¼ turn counterclockwise and pulling outwards. See Figure 2.
 - a. **NOTE:** There is no need to shut off the supply valve, as the filter head has a built-in valve. If you are planning to leave the unit without a filter cartridge for an extended period of time, shut off the supply valve.
5. Install the new filter by pushing inwards and turning clockwise.
6. Using a cup to catch the water flow, bleed air out of the bottle filler nozzle by activating the water flow until the air is purged out.
7. Run water through the bottle filler for 10 minutes to properly flush the filter.

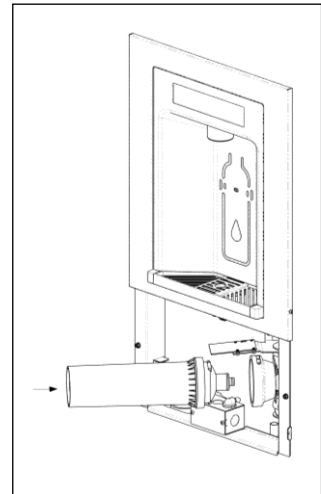


Figure 2: Filter Replacement

D.3. FUSE REPLACEMENT

1. Turn the water supply valve to the off position, and bleed pressure from the unit by operating the bottle filler.
2. Disconnect power to the unit.
3. Remove (2) T20 Torx screws underneath the molded corner covers on both the left and right side of the bottle filler platform. See Figure 3.
4. Remove (2) T20 Torx screws behind molded corner covers and (1) T20 Torx screw behind bottle filler nozzle.
5. Tilt out metal bottle filler alcove assembly and disconnect water line and electrical wire harnesses on backside of display.
6. Remove (2) T20 Torx panel screws securing main board cover.
7. Remove blown fuse, taking care not to damage the circuit board.
8. Replace fuse according to the following table. (2) Spare Fuses are included inside bottle filler enclosure. Make sure fuse is centered in clips before pressing into place.

Fuse Required
5mm X 20mm, 10A, 250V, SLOW BLOW / TIME DELAY, GLASS REF HAWS PN: 0210001120

Replace main board cover, reconnect water lines and electrical wire harnesses, replace alcove mounting screws & molded corner covers, turn on water, reconnect power.

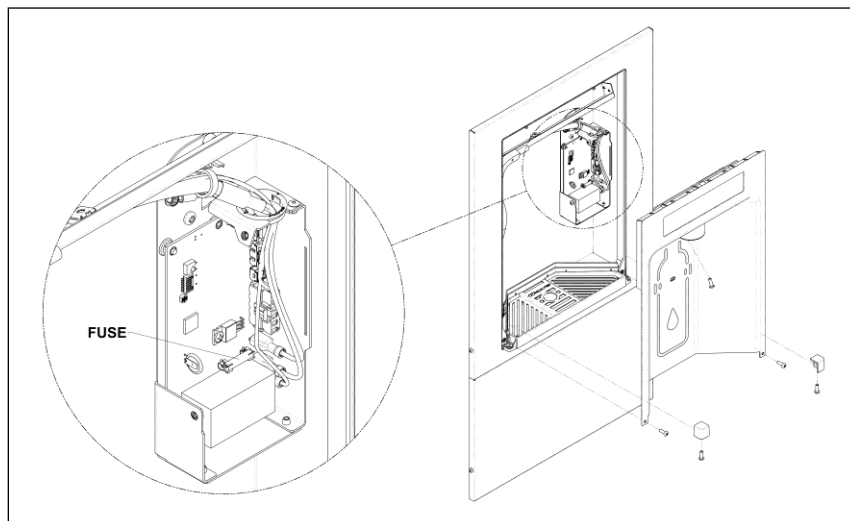


Figure 3: Fuse Replacement on Main Board, Behind Bottle Filler Alcove

E. GENERAL OPERATION

E.1. USING THE BOTTLE FILLER

- Insert a bottle below the nozzle to activate the water flow.
- Remove the bottle from below the nozzle to stop the water flow.

E.2. FILTER LIFE

- The filter is designed to last for a maximum of 1 year or 3,000 gallons, whichever comes first.

E.3. STRAINER LIFE

- The strainer is designed to last for a maximum of 5 years. Replace at 5 years or if a reduction in flow rate is observed, whichever comes first.

E.4. SMART ENERGY SAVING

- The bottle filler unit is set to Smart Energy Saving as the factory default. The unit will automatically save energy by dimming the display when there has been no recent use.

F. NOTIFICATIONS

F.1. MAIN BOARD INDICATION LIGHTS

*Located inside upper enclosure behind Bottle Filler Alcove.

- **Power = Red LED**
 - Solid ON – when power is applied
- **Filter = Blue LED (Filtered units only)**
 - Solid ON – Filter life 100% to 11% remaining
 - Intermittent Flash (once/3 second) – Filter life 10% to 0% remaining
 - Rapid Flash (once/second) – Filter life expired
- **Energy Saving = Green LED**
 - OFF – Energy Saving Mode disabled
 - Solid ON – Energy Saving Mode enabled
 - Intermittent Flash (once/3 second) – Bottle Filler is deactivated due to sensor issue. Clean sensor lens and cycle power to unit.
 - Rapid Flash (once/second) – Actively saving energy

F.2. BOTTLE FILLER DISPLAY INDICATION

- **Bottles Saved:** Indicates approximately 1 bottle saved for each 17oz dispensed from the bottle filler.
- **Filtering Icon (Indicating Installed Filter):**
 - Solid ON at all times - 100%-11% filter capacity remaining
 - Pulsing when not activated - 10%-1% filter capacity remaining
 - OFF - 0% filter capacity remaining (filter expired)
- **Energy Efficiency Icon**
 - Solid ON = Basic or Programmable Energy Saving Mode enabled
 - Intermittent Flash = Unit actively saving energy
 - OFF = Energy Saving Mode disabled

G. OPTIONAL HARDWARE SETTINGS

- Some features may be disabled using the DIP switches located on backside of display. All DIP switches are configured from the factory in the OFF (down) position. See Figure 4.
 - **DIP Switch #1** – Switch to ON to Disable Haws logo programming button, to prevent inadvertent user access
 - **DIP Switch #2** – Switch to ON to Disable Auto Purge Feature

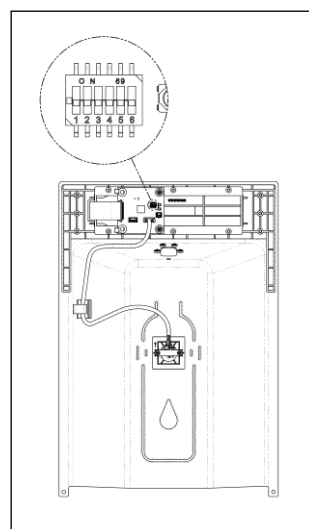


Figure 4: DIP Switch on Backside of Display

H. TROUBLESHOOTING

TRUBLESHOOTING	
<p>Note: If the suggested items in the checklist fail to solve the problem, contact Haws Technical Support at 1-800-766-5612. Please have available the model number, serial number, detailed description of the problem, bottle count, and specific error messages (if applicable).</p>	
PROBLEM	REPAIR CHECKLIST
1. No water flow from bottle filler	<ul style="list-style-type: none"> a. Check if filter has expired. b. Verify supply valve(s) are open and there is water pressure to the unit. c. Verify power to the unit. Check and replace fuse if it is blown (all models have a fuse). d. Clean the bottle filler sensor lens with mild detergent and water. Activate sensor/pushbutton and listen for a click or a hum to indicate whether the solenoid valve is working.
2. "RFID error" or "Install Filter" message despite filter being present and not expired	<ul style="list-style-type: none"> a. Power cycle unit by unplugging and replugging main power cord. b. Check for damage to the RFID circuit board above the filter. c. Check that the filter has an RFID tag attached to it and that it faces the RFID circuit board. d. Check wiring between main circuit board and RFID circuit board for damage. e. Try a new filter if available.
3. Low water flow from bottle filler	<ul style="list-style-type: none"> a. Replace filter. b. Verify minimum 20 psig supply pressure. c. Verify supply valve is in full open position. d. Unscrew aerator/nozzle and flush with clean water. e. Replace aerator/nozzle.
4. Water leaking	<ul style="list-style-type: none"> a. Shut off water supply and contact Haws Technical Support 1-800-766-5612.
5. Water from bottle filler nozzle excessively splatters when contacting drain basin	<ul style="list-style-type: none"> a. Unscrew aerator and flush with clean water. b. Replace aerator.
7. Bottle filler flows water by itself or flows erratically	<ul style="list-style-type: none"> a. Unit self-purges every 24 hours if not used. b. Clean the bottle filler sensor lens with mild detergent and water. c. Adjust sensor range (see programming table)
8. No lights and no water flow	<ul style="list-style-type: none"> a. Check that wall outlet has power b. Check fuse. If it is blown, check for short circuits. If a short is found contact Haws Technical Support. If not, replace fuse.

ERROR CODE TABLE TROUBLESHOOTING	
<p>Note: If the suggested items in the checklist fail to solve the problem, contact Haws Technical Support at 1-800-766-5612. Please have available the model number, serial number, detailed description of the problem, bottle count, and status of the indication lights.</p>	
ERROR CODE	REPAIR CHECKLIST
E012 – SENOB Bottle filler sensor is obstructed	<ul style="list-style-type: none"> a. Clear error in programming mode and power cycle unit and check error to validate. b. Remove obstruction from aperture Clean aperture with soft cloth that won't scratch aperture. c. Check aperture for excessive scratches
E014 – RFID RFID board lost communication	<ul style="list-style-type: none"> a. Clear error in programming mode and power cycle unit and check error to validate. b. Check cable connection to RFID board.
Error5	This is not an error. This is how the screen displays the "Errors" menu option.

I. FEDERAL COMMUNICATIONS COMMISSIONS (FCC) and INDUSTRY CANADA (IC) COMPLIANCE STATEMENTS

I.1. FCC Compliance Statement

I.1.1. Part 15.19

This device complies with Part 15 of the FCC Rules. Operation is subject to the following two conditions: (1) this device may not cause harmful interference, and (2) this device must accept any interference received, including interference that may cause undesired operation.

I.1.2. Part 15.21

Any changes or modifications to this equipment not expressly approved by Haws Corporation may cause harmful interference and void the user's authority to operate this equipment.

I.1.3. FCC ID

FCC ID: 2AUAN-12XXSM

I.2. Formal notices required by the Industry Canada ("IC")

I.2.1. Compliance Statement

This device contains licence-exempt transmitter(s)/receiver(s) that comply with Innovation, Science and Economic Development Canada's licence-exempt RSS(s). Operation is subject to the following two conditions:

1. This device may not cause interference.
2. This device must accept any interference, including interference that may cause undesired operation of the device.

Declaration de Conformité

L'émetteur/récepteur exempt de licence contenu dans le présent appareil est conforme aux CNR d'Innovation, Sciences et Développement économique Canada applicables aux appareils radio exempts de licence. L'exploitation est autorisée aux deux conditions suivantes :

1. L'appareil ne doit pas produire de brouillage;
2. L'appareil doit accepter tout brouillage radioélectrique subi, même si le brouillage est susceptible d'en compromettre le fonctionnement.

I.2.2. IC ID

IC ID: 25359-12XXSM

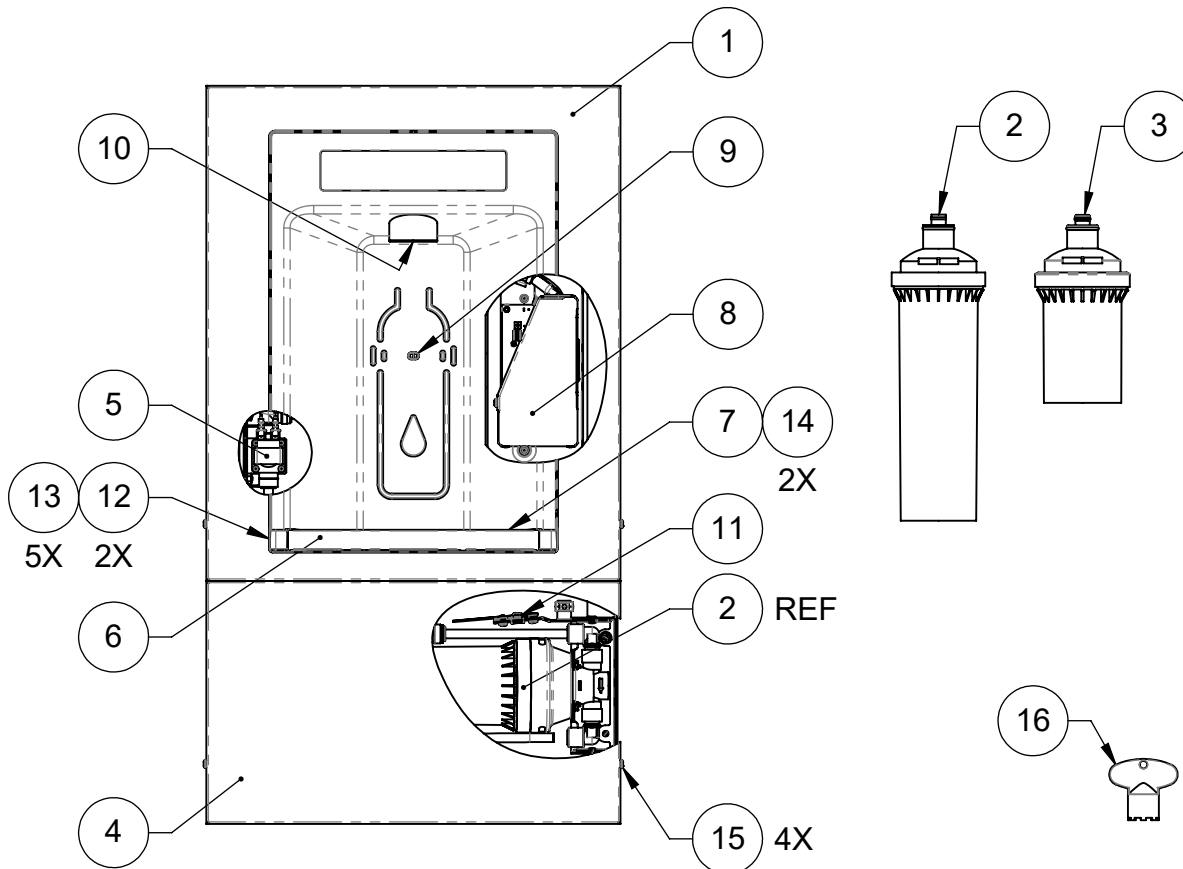
© 2024 Haws® Corporation – All Rights Reserved
HAWS® and other trademarks used in these materials are the exclusive property of Haws Corporation.



1455 Kleppe Lane, Sparks, Nevada 89431 – 800.766.5612 – www.hawsc.com

THIS DOCUMENT IS TRUE AND CORRECT AT TIME OF PUBLICATION. CONTINUED PRODUCT IMPROVEMENTS MAKE SPECIFICATIONS AND MEASUREMENTS SUBJECT TO CHANGE WITHOUT NOTICE.

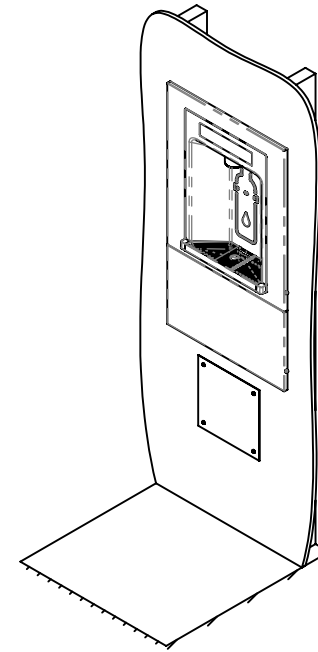
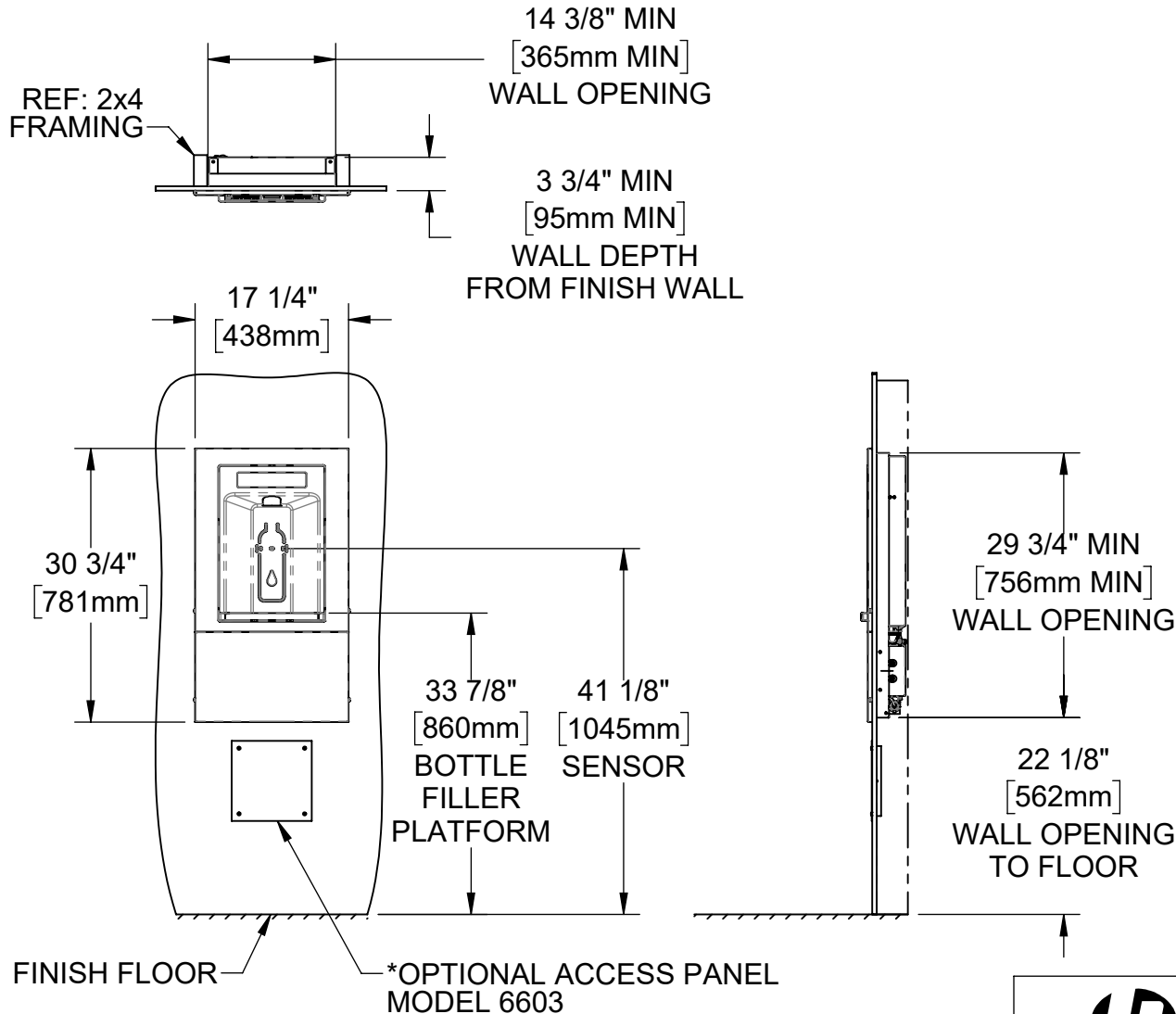
ITEM	DESCRIPTION	PART NO.
1	BOTTLE FILLER, 2000HS/2000HSSM	HS1
2	FILTER, 12XX EWC, LEAD/CYST/CTO	6428
3	STRAINER, MESH, 110 MICRON, NON-SERVICEABLE	6434
4	PANEL, LOWER, 304 SST, 2000HS/2000HSSM	0410000920
5	VALVE SOLENOID 3/8 QC 120VAC	0110000827.4
6	DRAIN BASIN, HS MODELS	0410000894
7	GRATE, 304 SST, HS MODELS	0410000895
8	FUSE, 10A-250VAC, SLOW BLOW, 5MM X 20MM, GLASS	0210001120
9	PCBA, PROXIMITY SENSOR, HS MODELS	0210001175
10	AERATOR, 1.2 GPM, M16.5 X 1	0110001537
11	RFID BOARD PCBA	0210000745.6
12	COVER, CORNER, HS MODELS	0410000897
13	SCREW, 10-24 UNC X .563, SST, BUTTON HEAD, T20 TORX	0310000540
14	SCREW, 8-32 UNC X .375, SST, PAN, T-20 TORX	0310000550
15	SCREW, 8-32 UNC X .500, SST, PAN, T-20 TORX	0310000551
16	AERATOR INSTALLATION TOOL	0510000672



		1455 KLEPPE LANE SPARKS, NEVADA 89431 (775) 359-4712 FAX (775) 359-7424 E-MAIL: HAWS@HAWSO.COM WEBSITE: WWW.HAWSO.COM	
		ECN: 6000 REV. ECN: 6000 DRAWN: DHP APPROVED:	BY: DHP DATE: 08/16/23 DATE:
WHEN ORDERING PARTS, PLEASE SPECIFY PART NUMBER		SCALE: 1:8 DRAWING TYPE: PARTS BREAKDOWN SIZE: A	SHEET 1 OF 1

NOTES:

1. HOLD ROUGH-IN DIMENSIONS $\pm 1/4"$ (6.4mm).
2. WHEN INSTALLING THIS UNIT, LOCAL, STATE, OR FEDERAL CODES SHOULD BE ADHERED TO. INSTALL A TRAP IN THE WASTE LINE AND A SCREWDRIVER STOP IN THE SUPPLY LINE IF REQUIRED.



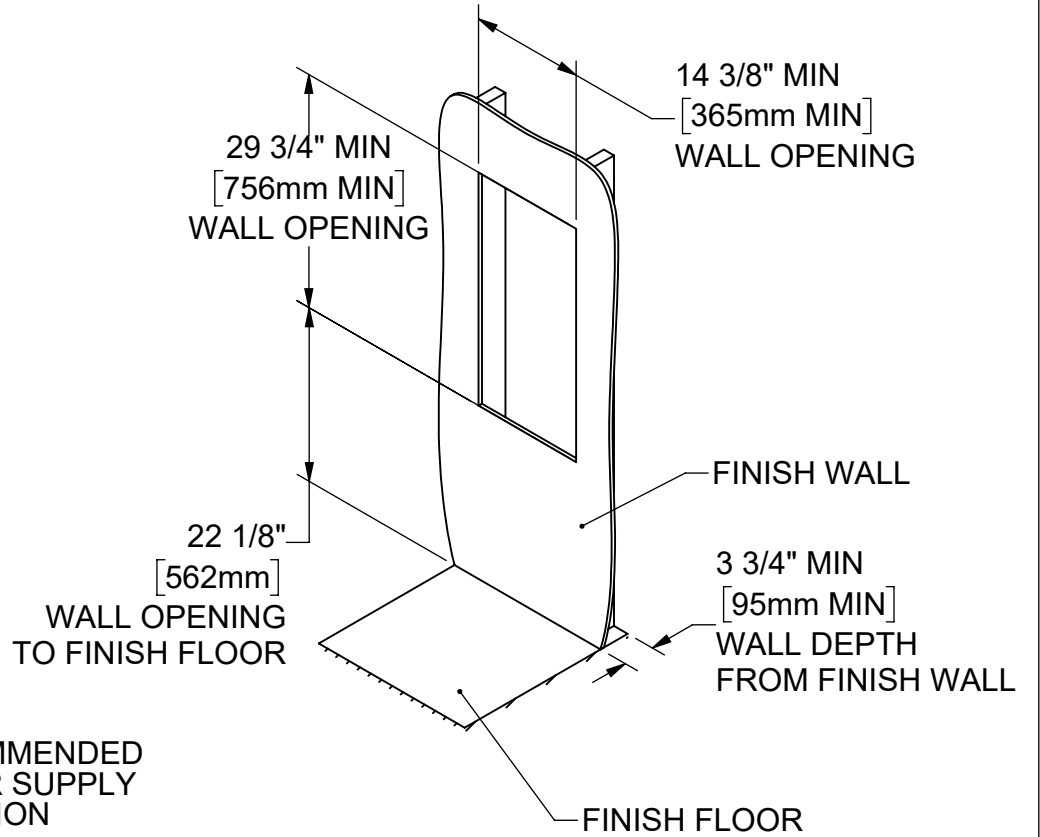
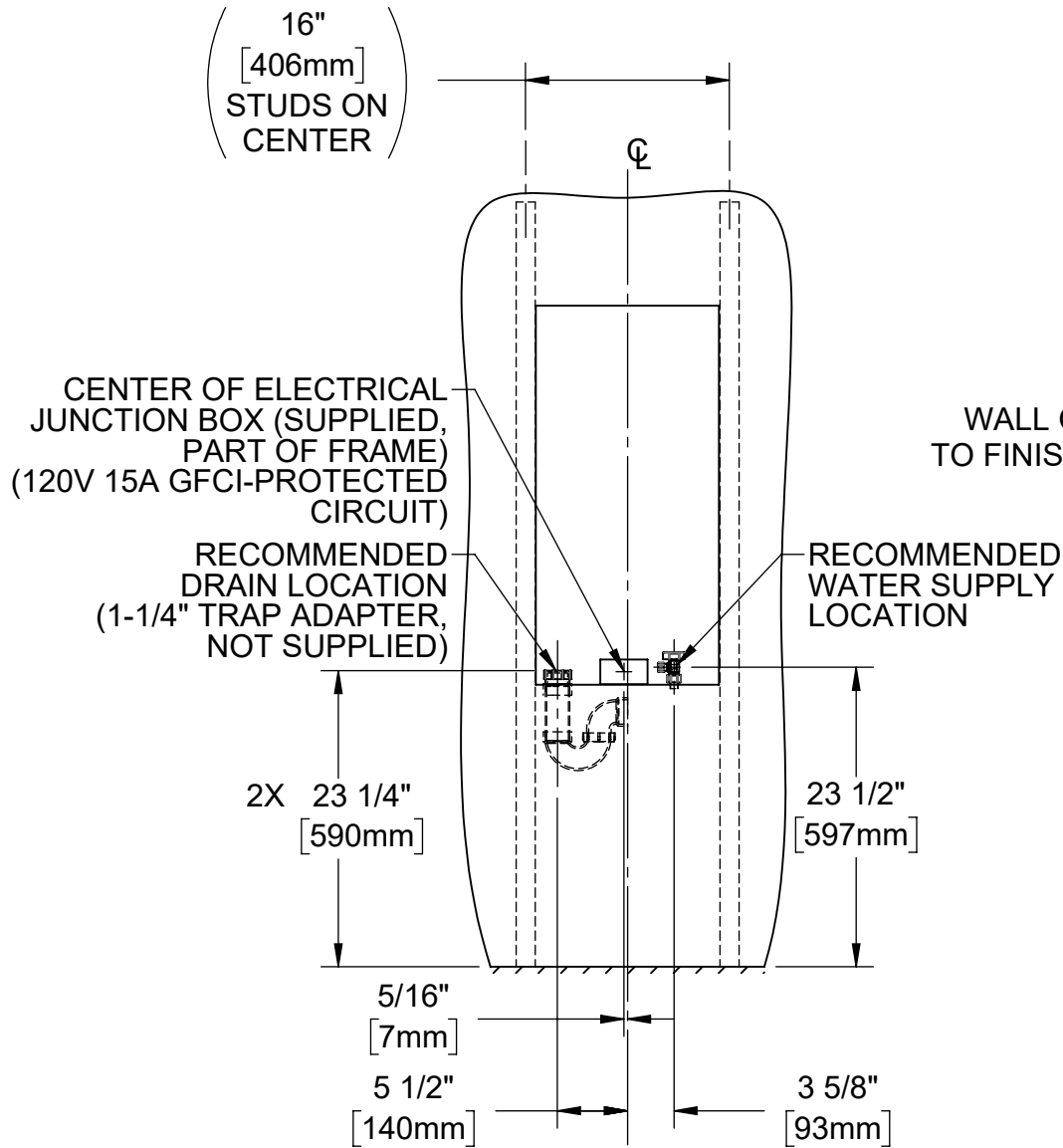


1455 KLEPPE LANE
SPARKS, NEVADA 89431
(775) 359-4712 FAX (775) 359-7424
E-MAIL: HAWS@HAWSO.COM
WEBSITE: WWW.HAWSO.COM

ECN: 6000	REV. ECN: 6000	BY: DHP	MODEL(S) 2000HS, BOTTLE FILLER	PART NUMBER 0510002225.D
DRAWN: DHP	DATE: 08/16/23	CHKD:		REVISION 1
APPROVED:	DATE:		SCALE: 1:20 DRAWING TYPE: INSTALLATION	SIZE: A SHEET 1 OF 7

NOTES:

- ROUGH IN WALL CAVITY WITH DIMENSIONS SHOWN. ROUGH IN ELECTRICAL, WASTE PLUMBING, AND WATER SUPPLY AS REQUIRED.

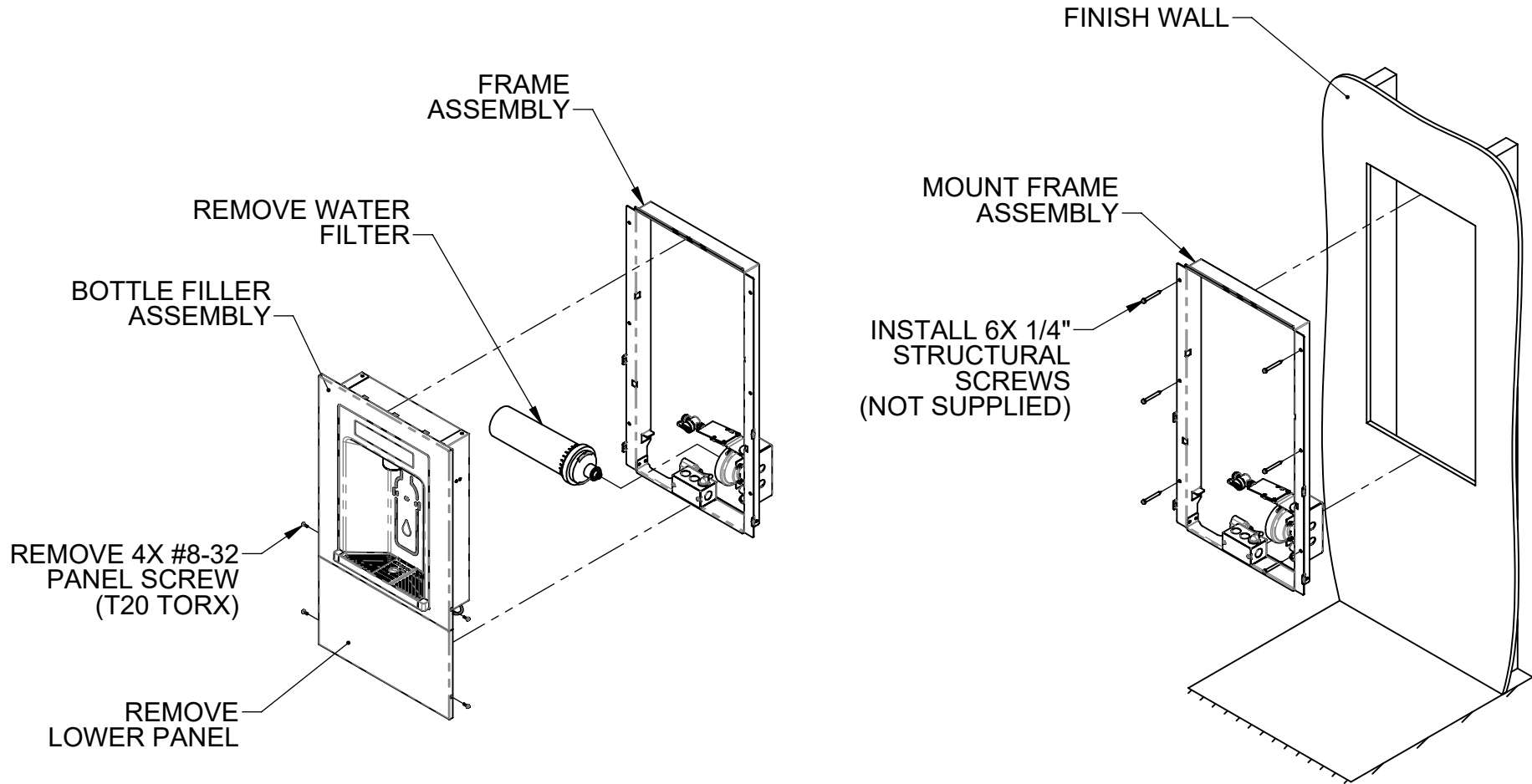


TYPICAL WALL OPENING

ECN: 6000		REV. ECN: 6000	BY: DHP	MODEL(S)	1455 KLEPPE LANE SPARKS, NEVADA 89431 (775) 359-4712 FAX (775) 359-7424 E-MAIL: HAWS@HAWS.CO.COM WEBSITE: WWW.HAWS.CO.COM	
DRAWN: DHP		DATE: 08/16/23	CHKD:	2000HS, BOTTLE FILLER	PART NUMBER: 0510002225.D	
APPROVED:		DATE:			REVISION: 1	
		SCALE: 1:20	DRAWING TYPE: INSTALLATION	SIZE: A	SHEET 2 OF 7	

NOTES:

4. DISASSEMBLE BOTTLE FILLER ASSEMBLY AND LOWER PANEL FROM FRAME BY REMOVING 4X #8-32 PANEL SCREWS (T20 TORX).
5. REMOVE WATER FILTER AND SET ASIDE.
6. MOUNT FRAME ASSEMBLY INTO WALL CAVITY USING 6X 1/4" STRUCTURAL SCREWS (NOT SUPPLIED). USE SHIMS AS NEEDED AND ENSURE THE FRAME IS SQUARE.

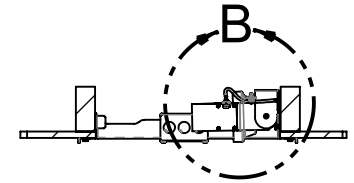


(DRAIN & WATER SUPPLY COMPONENTS HIDDEN FOR CLARITY)

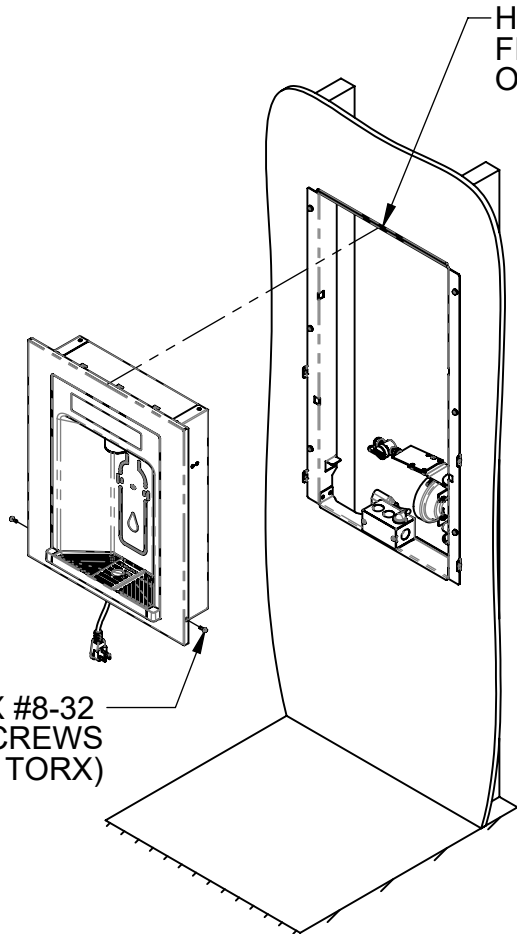
		1455 KLEPPE LANE SPARKS, NEVADA 89431 (775) 359-4712 FAX (775) 359-7424 E-MAIL: HAWS@HAWSO.COM WEBSITE: WWW.HAWSO.COM	
		ECN: 6000 REV. ECN: 6000 DRAWN: DHP APPROVED:	BY: DHP DATE: 08/16/23 DATE:
SCALE: 1:15		DRAWING TYPE: INSTALLATION	SIZE: A SHEET 3 OF 7

NOTES:

7. HANG BOTTLE FILLER ON TOP OF FRAME. INSTALL 2X #8-32 PANEL SCREWS (PREVIOUSLY REMOVED) ON EITHER SIDE OF THE BOTTLE FILLER PANEL.
8. CONNECT FILTER CABLE TO THE RFID FILTER TRACKING BOARD AND INSERT FILTER CABLE RETAINER INTO FILTER BRACKET (DETAIL B).
9. HAVE AN ELECTRICIAN CONNECT 120V AC (60HZ) 15-AMP GFCI-PROTECTED CIRCUIT TO THE RESPECTIVE LINE, NEUTRAL, AND GROUND CONNECTIONS INSIDE THE BOTTLE FILLER JUNCTION BOX VIA ONE OF THE AVAILABLE 1/2" KNOCKOUTS.

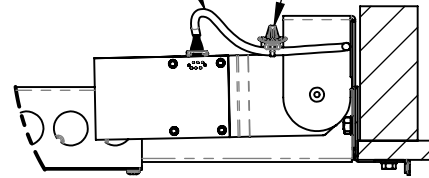


SECTION A-A



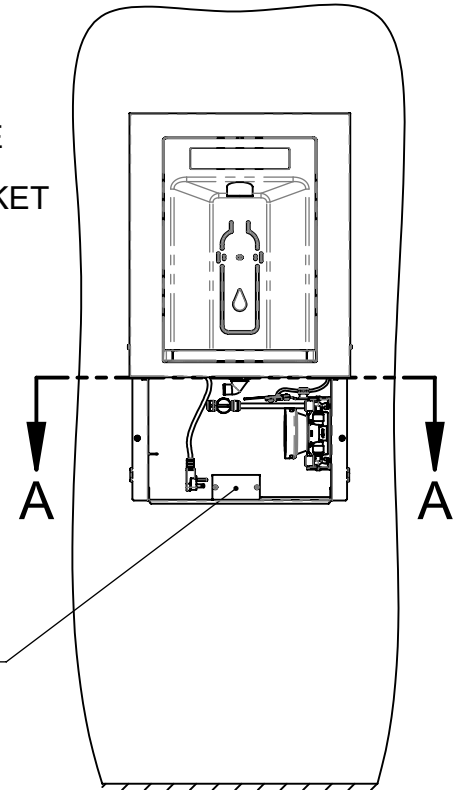
CONNECT FILTER CABLE TO RFID BOARD

INSERT FILTER CABLE RETAINER TO FILTER BRACKET



DETAIL B
FILTER CABLE CONNECTION

CONNECT 120V AC (15A GFCI) TO BOTTLE FILLER JUNCTION BOX (SUPPLIED)



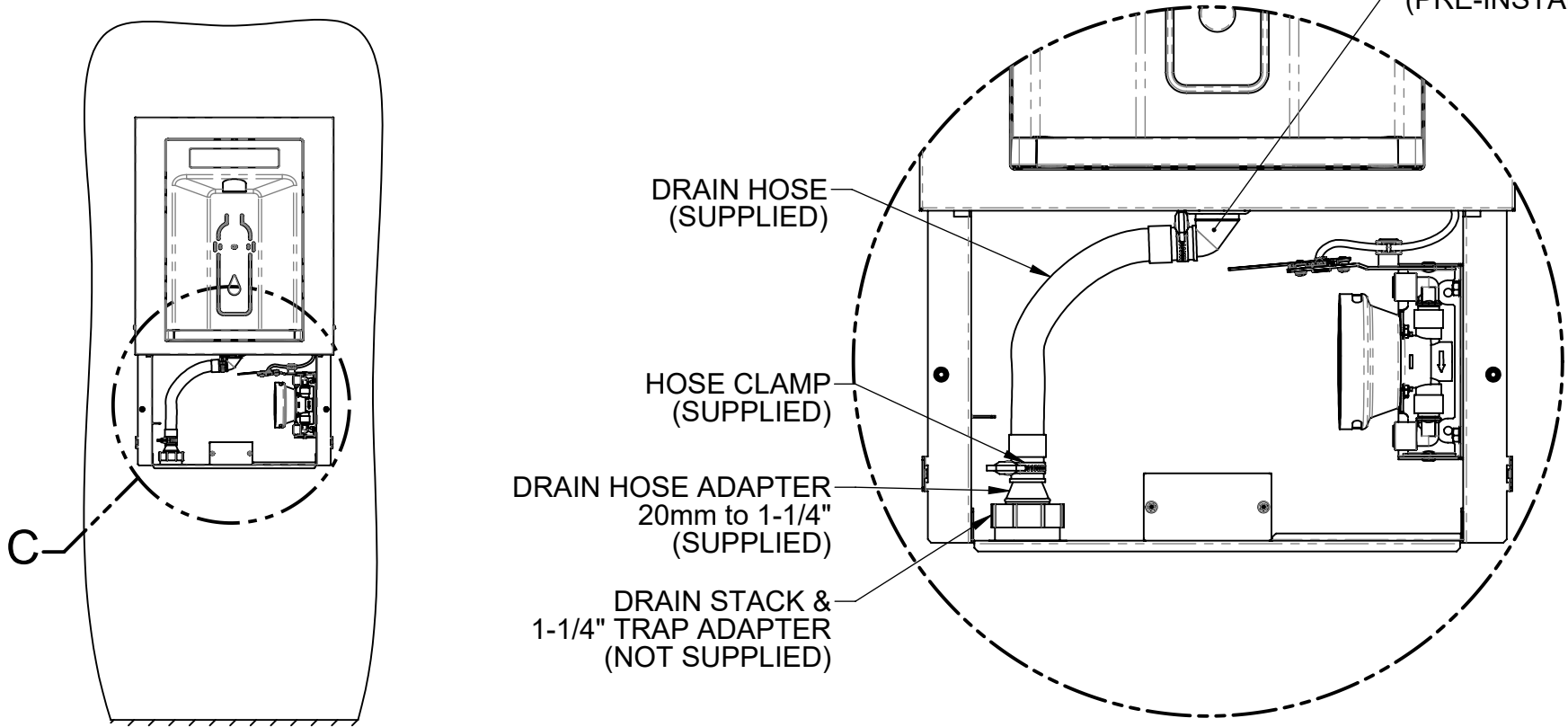
(DRAIN & WATER SUPPLY COMPONENTS HIDDEN FOR CLARITY)

		1455 KLEPPE LANE SPARKS, NEVADA 89431 (775) 359-4712 FAX (775) 359-7424 E-MAIL: HAWS@HAWSO.COM WEBSITE: WWW.HAWSO.COM	
		ECN: 6000 DRAWN: DHP APPROVED:	REV. ECN: 6000 DATE: 08/16/23 DATE:
			PART NUMBER 0510002225.D REVISION 1
		SCALE: 1:15 DRAWING TYPE: INSTALLATION SIZE: A	SHEET 4 OF 7

NOTES:

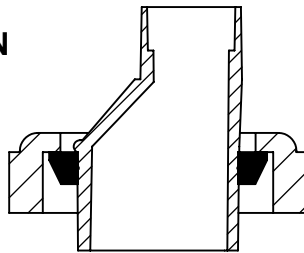
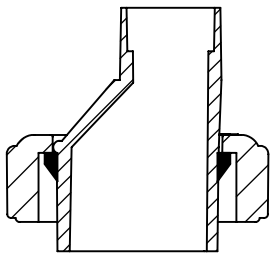
- 10. ATTACH DRAIN HOSE TO DRAIN STACK USING SUPPLIED DRAIN HOSE ADAPTER AND HOSE CLAMP. ENSURE THAT DRAIN HOSE HAS A DOWNWARD SLOPE ALONG ITS FULL LENGTH.
- 11. ADHERE TO LOCAL, STATE, AND/OR FEDERAL CODES FOR PROPER DRAIN STACK AND TRAP INSTALLATION.

BOTTLE FILLER
DRAIN ELBOW
(PRE-INSTALLED)



DETAIL C
(ELECTRICAL AND WATER SUPPLY COMPONENTS HIDDEN FOR CLARITY)

DRAIN HOSE ADAPTER INSTALLATION



1-1/4" TRAP ADAPTER (NOT SUPPLIED)
1-1/4" SLIP JOINT WASHER (SUPPLIED)
1-1/4" NUT (SUPPLIED)

1-1/2" TRAP ADAPTER (NOT SUPPLIED)
1-1/2" X 1-1/4" SLIP JOINT WASHER (NOT SUPPLIED)
1-1/2" NUT (NOT SUPPLIED)

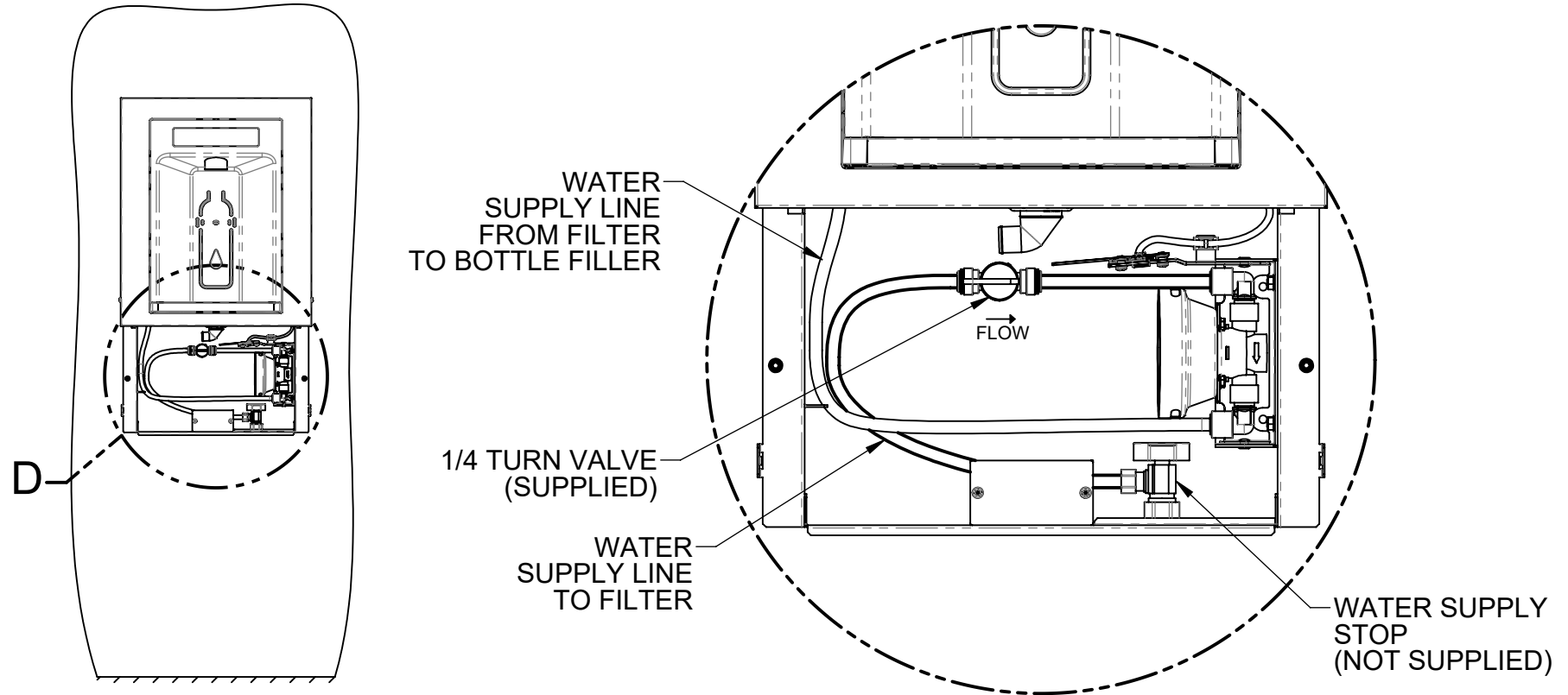


1455 KLEPPE LANE
SPARKS, NEVADA 89431
(775) 359-4712 FAX (775) 359-7424
E-MAIL: HAWS@HAWSO.COM
WEBSITE: WWW.HAWSO.COM

ECN: 6000	REV. ECN: 6000	BY: DHP	MODEL(S) 2000HS, BOTTLE FILLER	PART NUMBER 0510002225.D
DRAWN: DHP	DATE: 08/16/23	CHKD:		REVISION 1
APPROVED:	DATE:	SCALE: 1:15	DRAWING TYPE: INSTALLATION	SIZE: A SHEET 5 OF 7

NOTES:

12. INSTALL 3/8" TUBING AS SHOWN. NOTE DIRECTION OF FLOW ARROWS ON FILTER.
CUT ALL TUBING SQUARE AND CLEAN AS REQUIRED. ENSURE TUBING IS FULLY INSERTED INTO PUSH-TO-CONNECT FITTINGS.
13. CONNECT THE WATER SUPPLY LINE TO THE WATER SUPPLY STOP USING COMPRESSION NUT (INCLUDED WITH YOUR SUPPLY STOP), FOLLOWED BY THE PLASTIC FERRULE (SUPPLIED), AND THE BRASS TUBE SUPPORT (SUPPLIED). INSERT SUPPLY LINE INTO THE SUPPLY STOP UNTIL IT BOTTOMS OUT. THREAD THE NUT ONTO THE SUPPLY STOP UNTIL FINGER TIGHT. PUT A LINE ON THE NUT USING A MARKER. TIGHTEN EXACTLY ONE ADDITIONAL FULL TURN (360 DEG) WITH A WRENCH, USING THE LINE TO COUNT TURNS.
*NOTE THE CORRECT ORIENTATION OF THE PLASTIC FERRULE. *DO NOT USE THE BRASS FERRULE INCLUDED WITH YOUR SUPPLY VALVE.



WATER SUPPLY LINE FROM FILTER TO BOTTLE FILLER

FLOW

1/4 TURN VALVE (SUPPLIED)

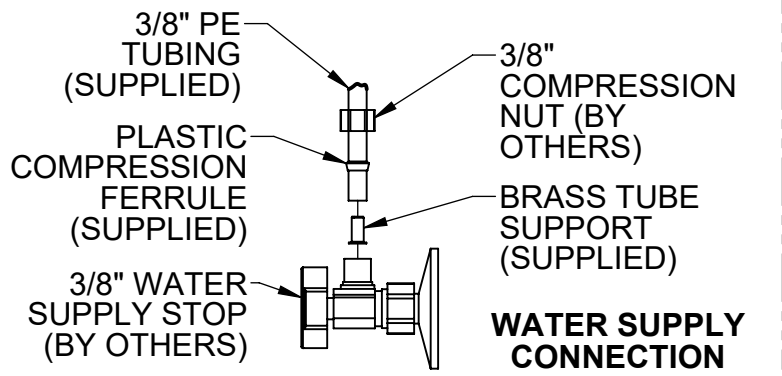
WATER SUPPLY LINE TO FILTER

WATER SUPPLY STOP (NOT SUPPLIED)


D

DETAIL D

(DRAIN & ELECTRICAL COMPONENTS HIDDEN FOR CLARITY)

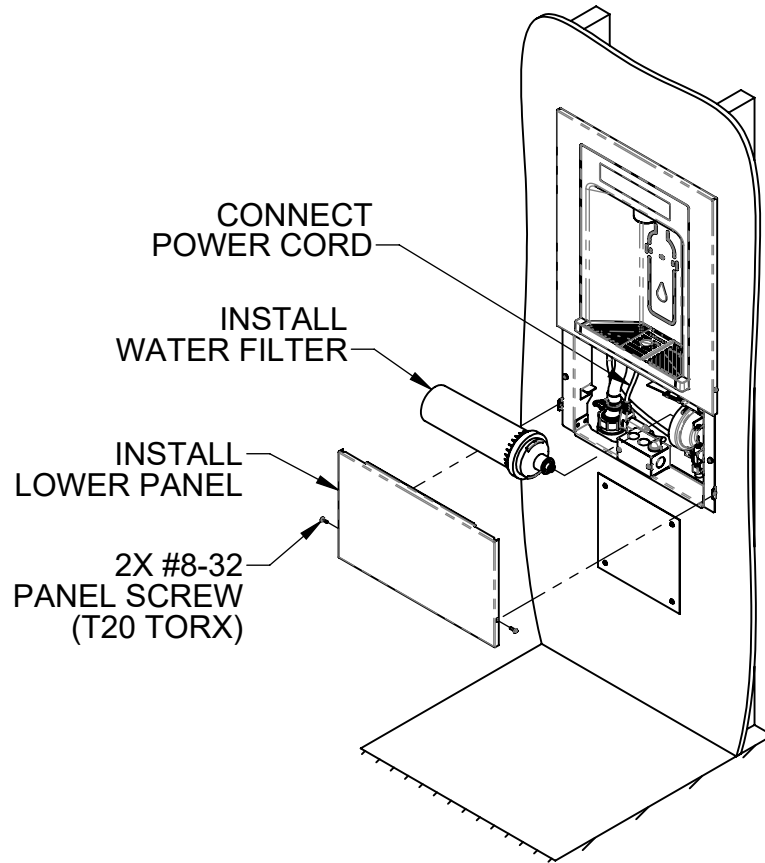


WATER SUPPLY CONNECTION

		1455 KLEPPE LANE SPARKS, NEVADA 89431 (775) 359-4712 FAX (775) 359-7424 E-MAIL: HAWS@HAWS.CO.COM WEBSITE: WWW.HAWS.CO.COM	
		ECN: 6000 REV. ECN: 6000 DRAWN: DHP APPROVED:	BY: DHP DATE: 08/16/23 DATE:
SCALE: 1:15 DRAWING TYPE: INSTALLATION SIZE: A		SHEET 6 OF 7	

NOTES:

- 14. INSTALL WATER FILTER AND TURN ON WATER SUPPLY.
- 15. CHECK ALL FITTINGS FOR LEAKS AND ENSURE DRAIN FITTINGS ARE TIGHT.
- 16. CONNECT BOTTLE FILLER POWER CORD PLUG TO JUNCTION BOX POWER CORD RECEPTACLE.
- 17. INSTALL LOWER PANEL USING 2X #8-32 PANEL SCREWS (PREVIOUSLY REMOVED).
- 18. INSTALLATION COMPLETE.



			1455 KLEPPE LANE SPARKS, NEVADA 89431 (775) 359-4712 FAX (775) 359-7424 E-MAIL: HAWS@HAWS.CO.COM WEBSITE: WWW.HAWS.CO.COM	
ECN: 6000	REV. ECN: 6000	BY: DHP	MODEL(S) 2000HS, BOTTLE FILLER	PART NUMBER 0510002225.D
DRAWN: DHP	DATE: 08/16/23	CHKD:		REVISION 1
APPROVED:	DATE:	SCALE: 1:15	DRAWING TYPE: INSTALLATION	SIZE: A SHEET 7 OF 7