



# INSTALLATION, OPERATION & MAINTENANCE INSTRUCTIONS

1455 Kleppe Lane ♦ Sparks, NV 89431-6467 ♦ (775) 359-4712 ♦ Fax (775) 359-7424  
E-mail: [haws@hawsco.com](mailto:haws@hawsco.com) ♦ website: [www.hawsco.com](http://www.hawsco.com)

No. 0510002202 (1)

## Model 1011HSA, 1117HSA, AND 1119HSA DUAL FOUNTAIN ARCHITECTURAL BOTTLE FILLER

**NOTE TO INSTALLER: Please leave this information with the Maintenance Department.**

### LIMITED WARRANTY

*HAWS* warrants that all of its products are guaranteed against defective material or poor workmanship for a period of **one year from the date of shipment**. The foregoing notwithstanding, *HAWS* warrants certain specific products or components thereof for an adjusted period. A list of these excepted products and components and a description of their respective warranty terms may be found here: [www.hawsco.com/warranty](http://www.hawsco.com/warranty). *HAWS'* liability under this warranty shall be discharged by furnishing without charge F.O.B. *HAWS* factory any goods, or part thereof, which shall appear to the Company upon inspection to be of defective material or not of first-class workmanship, provided that a claim is made in writing to Company within a reasonable period after receipt of the product. Where claims for defects are made, the defective part or parts shall be delivered to the Company, prepaid, for inspection. *HAWS* shall not be liable for the cost of repairs, alterations or replacements, or the labor required to implement them, or for any expense connected therewith made by the owner or owner's agents, except upon written authority from *HAWS*. *HAWS* shall not be liable for any damages caused by defective materials or poor workmanship, except for replacements, as provided above. Buyer agrees that *HAWS* has made no other warranties either express or implied in addition to those above stated, except that of title with respect to any of the products or equipment sold hereunder and that *HAWS* shall not be liable for general, special, incidental, or consequential damages claimed to arise under the contract of sale.

Equipment manufactured by *HAWS* is warranted to function if installation and maintenance instructions provided are adhered to. The units also must be used for the purpose for which they were intended. Any *HAWS* emergency equipment is intended to supplement first-aid treatment. Due to widely varying conditions, *HAWS* cannot guarantee that the use of this emergency equipment will prevent serious injury or the aggravation of existing or prior injuries.

**EXCEPT AS EXPRESSLY STATED HEREIN, HAWS HEREBY DISCLAIMS ALL WARRANTIES, WHETHER EXPRESS OR IMPLIED, ARISING BY LAW OR OTHERWISE, INCLUDING WITHOUT LIMITATION, ANY IMPLIED WARRANTIES OF MERCHANTABILITY AND FITNESS FOR A PARTICULAR PURPOSE. THIS WARRANTY MAY NOT BE MODIFIED OR EXTENDED WITHOUT THE WRITTEN CONSENT OF HAWS. REMEDIES AND REPLACEMENTS STATED HEREIN ARE EXCLUSIVE. IN NO EVENT SHALL HAWS BE LIABLE FOR ANY SPECIAL, PUNITIVE, CONSEQUENTIAL OR INCIDENTAL DAMAGES TO ANY PERSON INCLUDING BUT NOT LIMITED TO DAMAGES FOR LOSS OF USE OR PROFITS, SUBSTITUTE PRODUCTS OR COSTS, PROPERTY DAMAGE, OR OTHER MONETARY LOSS.**

**SHOULD YOU EXPERIENCE DIFFICULTY WITH THE INSTALLATION OF THIS MODEL PLEASE CALL:**

**TECHNICAL SUPPORT: 1-800-766-5612**  
**FOR CUSTOMER SERVICE: 1-888-640-4297**

## SAFETY PRECAUTIONS

**CAUTION:** Disconnect electrical power to unit before installing or servicing. Note that some models have more than one connection to the electrical supply.

**NOTICE:**

- A. The electrical connection must have code-approved ground-fault circuit interrupter (GFCI) protection for personnel.
- B. Care should be taken not to damage refrigeration system lines or electrical wires during installation.
- C. Installation must conform to all applicable codes and standards.
- D. Maintain 8 inches (20cm) separation from filter circuit board (antenna) at all times.

**REQUIRED TOOLS (OR EQUIVALENT):**

- Adjustable Wrench
- 1/2" Socket or Box end Wrench
- 3/8" Socket or Box end Wrench
- 9/16" Deep Socket or Box end Wrench
- 1/4" bit-holding screwdriver
- T20 bit (supplied)
- Clean cloth or paper towels
- Tubing cutter for polyethylene tubing
- Hacksaw
- Tape Measure
- Bubble level
- Permanent marker

**REQUIRED PARTS (NOT SUPPLIED):**

- P-trap(s) (1-1/2" recommended) with appropriate seal for 1-1/4" OD tailpiece and waste bend
- Suitable trap adapter(s) (if not already installed – see installation drawing for details)
- Additional waste plumbing as needed (1-1/2" recommended)
- Suitable angle stop valve with 3/8" compression outlet (if not already installed – see installation drawing for details)
- 16X 5/16" fasteners suitable for fastening frame to structural material in wall.
- Plastic cup (for bleeding air out of system following install)

**LOCATION OF UNIT:** These models are suitable for indoor use only. These units are unsuitable for corrosive environments (such as enclosed chlorinated pool areas) or very dusty areas. The ambient air temperature must be maintained between 40°F and 104°F at all times. Installation into a location not meeting these limitations will void the warranty.

**SUPPLY LINE:** The min recommended size is 1/2" IPS with 20-105 psig (1.4-7.1 ATM) flowing pressure. Where sediment or mineral content is a problem, an upstream water pre-filter is recommended. Do not use with reverse osmosis (RO) water.

**PLUMBING CONNECTIONS:** Inlet is 3/8" OD polyethylene tubing. A suitable plastic ferrule and metal insert are provided to allow direct connection to a 3/8" compression water stop valve. Tailpiece is 1-1/4" OD ABS and waste bend is 1-1/4" OD brass.

**ELECTRICAL CONNECTION:** 120VAC/60HZ GFCI-Protected circuit, min 15A service. Dedicated circuit recommended.

# **INSTALLATION PROCEDURE**

## **GENERAL NOTES:**

- For all plastic push-in type fitting connections, only connect NSF-61 soft-copper or plastic tubing. These instructions must be followed to ensure a watertight connection:
  - a. If tubing needs to be shortened, cut tubing square and clean.
  - b. Mark from end of tube the depth of insertion (See table below).
  - c. Push tube into the fitting until it bottoms out.
  - d. To remove, depress collet and pull tubing out.

<b>Tube OD Size</b>	<b>OD Tolerance</b>	<b>Insertion Depth</b>
3/8"	±.004"	3/4"

- All units ship with both a filter and strainer. The built-in RFID system will determine whether a filter or strainer is installed and configure the unit accordingly.

## **A. INSTALLATION STEPS:**

1. Verify that the wall cavity, water supply/valve, and drain locations are all in accordance with the installation drawing.
2. Follow the instructions outlined in the installation drawing (pages 12-22) to install the unit.
3. NOTE: The unit is provided with both a Strainer (110 micron) and a Filter. If desired, install the strainer cartridge instead of the filter cartridge. Strainer cartridge should be replaced every 5 years.

## **B. START-UP:**

4. Open the water supply valve and check the system for leaks.
5. Reconnect power at the breaker panel, then place a cup under the nozzle of the bottle filler and run the water until the air has been purged out of the water line.
6. Place a cup over a bubbler (to minimize splattering) and push the front button to activate the bubbler flow. Keep the button depressed until all air is purged out of the water line.
7. NOTE: If the unit has a filter, run the bubbler for 10 minutes in order to properly flush the filter.
8. If a high/low unit has been installed, place a cup over the high side bubbler and push the front button to activate the bubbler flow. Keep the button depressed until the air has been purged out of the water line.
9. Remove protective plastic film from the upper and lower stainless-steel panels.
10. The stainless steel panels can be cleaned with stainless steel cleaner and a clean cloth or paper towel. Do not allow the cleaning fluid to touch the plastic parts of the unit.

## **C. OPTIONAL PROGRAMMING INSTRUCTIONS:**

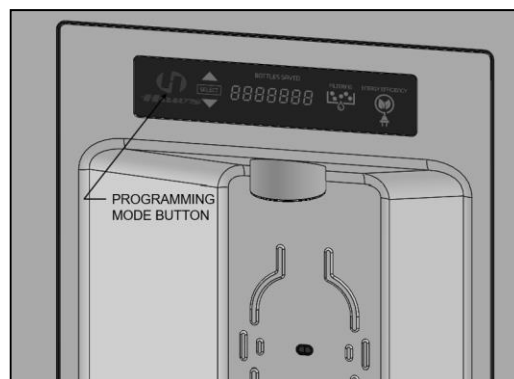
To enter programming mode, press the Haws logo on the display at the front of the unit (Figure 1) until the up/down arrow keys and "select" appear on the bottle filler display. Programming mode enters at the top-level menu. In general, the up/down arrows and select keys work as follows;



Up/Down Arrows – Cycle through the top-level menu items or values in the programmable fields

Select – enters programming of the associated top-level menu item, or sets value and advances to next programmable field, or programs value (indicated by value flashing) prior to returns to the main menu

The following Programming Mode Table can be used as a guide while programming the unit. Settings are retained during power outages.



*Figure 1: Programming Mode Button viewed from front of unit*

Programming Mode Table			
Top-Level Menu	Arrows (cycle through...)	Select	Default
Backlight	100%, 75%, 50%, 25%, Cancel	Percentage Value - programs brightness Cancel – returns to main menu	100%
Sensor	Range (rng) from 1 to 10, Cancel	Range 1 to 10 - programs range Cancel – returns to main menu NOTE: A range halfway between sensor lens and closest side of water stream is recommended	Rng 5
Errors (displays as Error5)	No Errors – None or Cancel.  Errors - error codes (see Error Code Table for details), Clear, and Cancel	None or Cancel – returns to main menu  Error Code – shows human readable (see next Arrow) Clear – clears error codes Cancel – returns to main menu	None
Set Day	Days of week or Cancel	Day of week – programs day Cancel – returns to main menu	Sunday
Time	Hour from 1 to 12, or Cancel Minute from 00 to 59, or Cancel A, P, or Cancel	1 to 12 – programs hour of day 00 to 59 – programs minute of hour A or P – programs 12-hour clock AM or PM Cancel – returns to main menu	12:00A
Energy*	M-F, Sa-Su, and Cancel  On 1 to 12, disable, or Cancel  A, P, or Cancel  Off 1 to 12, or Cancel  A, P, or Cancel	M-F or Sa-Su - enters programmable energy saving for that portion of the week and advanced to hour to turn ON energy saving mode Cancel – returns to main menu  On 1 to 12 – sets hour to turn “ON” energy saving and advance to A or P field (see Note 1) disable – turns “OFF” energy saving for that portion of the week (i.e. Mon-Fri or Sa-Su) and returns to main menu Cancel – returns to main menu without changing program  Sets 12-hour clock AM or PM and advanced to programming OFF time (see Note 1) Cancel – returns to main menu with changing program  Off 1 to 12 – sets hour to turn “Off” energy saving and advance to A or P field (see Note 1) Cancel – returns to main menu without changing program  Sets 12-hour clock AM or PM and advanced to OFF setting (see Note 1) Cancel – returns to main menu without changing program	Mon-Fri = disable  Sa-Su = disable
Review		Cycles through time, day, energy program, backlight setting, sensor setting, filter usage, and errors codes	N/A
Reset	Cancel or Yes	Cancel – returns to main menu without factor reset Yes – resets to factory defaults, but saves bottle count	See defaults above
EW	No arrow or select function. Displays firmware revision number for Electric Water Cooler circuit board.		N/A
DS	No arrow or select function. Displays firmware revision number for Bottle Filler circuit board.		N/A
Abort		Exits programming mode	N/A

## D. MAINTENANCE

### D.1. CLEANING

- Metal parts can be cleaned with either of the following:
  - A clean towel, dampened by warm water with or without a small amount of mild hand dishwashing detergent.
  - Stainless steel cleaner. Buff off excess with a clean cloth or paper towel. Do not allow the cleaning fluid to touch the plastic parts or the bottle filler.
- Plastic parts (including bottle filler nozzle):
  - A clean towel, dampened by warm water with or without a small amount of mild hand dishwashing detergent.

- Periodically clean the strainer located in the drinking fountain valve body(s). Refer to 5874 Series Valve Manual for more information.

## D.2. FILTER/STRAINER REPLACEMENT

**Caution:** Take care not to damage the circuit board located behind the filter head during the following steps.

- Remove the (2) lower panel screws (T20 Torx). Then remove the lower panel by sliding down and away from the unit.
- Place a towel below the filter to collect the small amount of water that may drip from the filter head or filter during the next steps.
- Optional: Turn the water supply valve to the off position, and bleed pressure from the unit by operating the bottle filler. This will improve the ease of replacing the filter.
- Remove filter by turning about ¼ turn clockwise (as viewed from above) and pulling downward. See Figure 2.
  - NOTE: There is no need to shut off the supply valve, as the filter head has a built-in valve. If you are planning to leave the unit without a filter cartridge for a protracted period of time, shut off the supply valve.
- Install the new filter by pushing upward and turning counterclockwise.
- Using a cup to catch the water flow, bleed air out of the bottle filler nozzle by activating the water flow until the air is purged out.
- Run water through the bottle filler for 10 minutes to properly flush the filter.

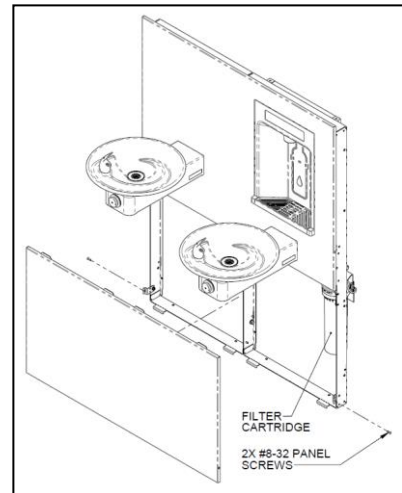


Figure 2 Filter Replacement

## D.3. FUSE REPLACEMENT

- Turn the water supply valve to the off position, and bleed pressure from the unit by operating the bottle filler.
- Turn off power to the unit.
- Remove (2) T20 Torx screws underneath the molded corner covers on both the left and right side of the bottle filler platform. See Figure 3. NOTE: for 1109/1119 models, fountains must be removed to access these screws.
- Remove (2) T20 Torx screws behind molded corner covers and (1) T20 Torx screw behind bottle filler nozzle.
- Tilt out metal bottle filler alcove assembly and disconnect water line and electrical wire harnesses on backside of display.
- Remove (2) T20 Torx panel screws securing main board cover.
- Remove blown fuse, taking care not to damage the circuit board.
- Replace fuse according to the following table. (2) Spare Fuses are included inside bottle filler enclosure. Make sure fuse is centered in clips before pressing into place.

Fuse Required
5mm X 20mm, 10A, 250V, SLOW BLOW / TIME DELAY, GLASS REF HAWS PN: 0210001120

Replace main board cover, reconnect water lines and electrical wire harnesses, replace alcove mounting screws & molded corner covers, reconnect power, turn on water.

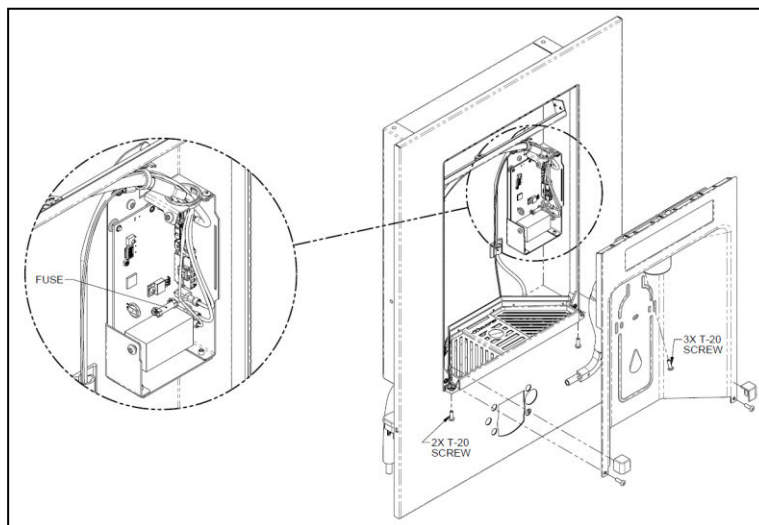


Figure 3 Fuse Replacement on Main Board, Behind Bottle Filler Alcove

## E. GENERAL OPERATION

### E.1. USING THE BOTTLE FILLER

- Insert a bottle below the nozzle to activate the water flow.

- Remove the bottle from below the nozzle to stop the water flow.

## E.2. FILTER LIFE

- The filter is designed to last for a maximum of 1 year or 3,000 gallons, whichever comes first.

## E.3. STRAINER LIFE

- The strainer is designed to last for a maximum of 5 years. Replace at 5 years or if a reduction in flow rate is observed, whichever comes first.

## E.4. SMART ENERGY SAVING

- The filtered and/or bottle filler units are set to Smart Energy Saving as the factory default. These units will automatically save energy by dimming the display when there has been no recent use of the unit.

## F. NOTIFICATIONS

### F.1. MAIN BOARD INDICATION LIGHTS

\*Located inside upper enclosure behind Bottle Filler Alcove.

- **Power = Red LED**
  - Solid ON – when power is applied
- **Filter = Blue LED (Filtered units only)**
  - Solid ON – Filter life 100% to 11% remaining
  - Intermittent Flash (once/3 second) – Filter life 10% to 0% remaining
  - Rapid Flash (once/second) – Filter life expired
- **Energy Saving = Green LED**
  - OFF – Energy Saving Mode disabled
  - Solid ON – Energy Saving Mode enabled
  - Intermittent Flash (once/3 second) – Bottle Filler is deactivated due to stuck button or sensor issue. Clean sensor lens and cycle power to unit.
  - Rapid Flash (once/second) – Actively saving energy

### F.2. BOTTLE FILLER DISPLAY INDICATION

- **Bottles Saved:** Indicates approximately 1 bottle saved for each 17oz dispensed from the bottle filler.
- **Filtering Icon (Indicating Installed Filter):**
  - Solid ON at all times - 100%-11% filter capacity remaining
  - Pulsing when not activated - 10%-1% filter capacity remaining
  - OFF - 0% filter capacity remaining (filter expired)
- **Energy Efficiency Icon**
  - Solid ON = Basic or Programmable Energy Saving Mode enabled
  - Intermittent Flash = Unit actively saving energy
  - OFF = Energy Saving Mode disabled

## G. OPTIONAL HARDWARE SETTINGS

- Some features may be disabled using the DIP switches located on backside of display. All DIP switches are configured from the factory in the OFF (down) position. See Figure 4.
  - **DIP Switch #1** – Switch to ON to Disable Haws logo programming button, to prevent inadvertent user access
  - **DIP Switch #2** – Switch to ON to Disable Auto Purge Feature

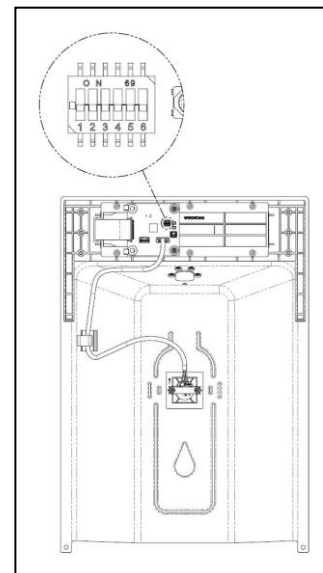


Figure 4: DIP Switch on Backside of Display

## H. TROUBLESHOOTING

<b>TROUBLESHOOTING</b>	
<p>Note: If the suggested items in the checklist fail to solve the problem, contact Haws Technical Support at 1-800-766-5612. Please have available the model number, serial number, detailed description of the problem, bottle count, and specific error messages (if applicable).</p>	
<b>PROBLEM</b>	<b>REPAIR CHECKLIST</b>
1. No water flow from bottle filler	<ul style="list-style-type: none"> <li>a. Check if filter has expired.</li> <li>b. Verify supply valve(s) are open and there is water pressure to the unit.</li> <li>c. Verify power to the unit. Check and replace fuse if it is blown (all models have a fuse).</li> <li>e. Clean the bottle filler sensor lens with mild detergent and water. Activate sensor/pushbutton and listen for a click or a hum to indicate whether the solenoid valve is working.</li> </ul>
2. "RFID error" or "Install Filter" message despite filter being present and not expired	<ul style="list-style-type: none"> <li>a. Power cycle unit by unplugging and replugging main power cord.</li> <li>b. Check for damage to the RFID circuit board above the filter.</li> <li>c. Check that the filter has an RFID tag attached to it and that it faces the RFID circuit board.</li> <li>d. Check wiring between main circuit board and RFID circuit board for damage.</li> <li>e. Try a new filter if available.</li> </ul>
3. Low water flow from bottle filler	<ul style="list-style-type: none"> <li>a. Replace filter.</li> <li>b. Verify minimum 20 psig supply pressure.</li> <li>c. Verify supply valve is in full open position.</li> <li>d. Unscrew aerator/nozzle and flush with clean water.</li> <li>e. Replace aerator/nozzle.</li> </ul>
4. Water leaking	<ul style="list-style-type: none"> <li>a. Shut off water supply and contact Haws Technical Support 1-800-766-5612.</li> </ul>
5. Water from bottle filler nozzle excessively splatters when contacting drain basin	<ul style="list-style-type: none"> <li>a. Unscrew aerator and flush with clean water.</li> <li>b. Replace aerator.</li> </ul>
7. Bottle filler flows water by itself or flows erratically	<ul style="list-style-type: none"> <li>a. Unit self-purges every 24 hours if not used.</li> <li>b. Clean the bottle filler sensor lens with mild detergent and water.</li> <li>c. Adjust sensor range (see programming table)</li> </ul>
8. No lights and no water flow	<ul style="list-style-type: none"> <li>a. Check that wall outlet has power</li> <li>b. Check fuse. If it is blown, check for short circuits. If a short is found contact Haws Technical Support. If not, replace fuse.</li> </ul>
9. Insufficient bubbler flow	<ul style="list-style-type: none"> <li>a. Check that inlet stop valve is in wide-open position.</li> <li>b. Verify minimum 20 psi flowing supply pressure.</li> <li>c. Clean strainer. See 5874 Series Valve Manual.</li> <li>d. Adjust valve to increase flow. Use front adjust screw or see 5874 Series Valve Manual.</li> <li>e. (1001/1011 Fountains) Clean screens (inside nozzle body). Unscrew nozzle insert and very gently activate water supply to pop out qty. 3 screens (be careful not to lose screens). Remove any debris clogging the screen openings and place back into nozzle body. Reassemble nozzle insert.</li> </ul>

<b>ERROR CODE TABLE TROUBLESHOOTING</b>	
Note: If the suggested items in the checklist fail to solve the problem, contact Haws Technical Support at 1-800-766-5612. Please have available the model number, serial number, detailed description of the problem, bottle count, and status of the indication lights.	
<b>ERROR CODE</b>	<b>REPAIR CHECKLIST</b>
E012 – SENOB Bottle filler sensor is obstructed	<ul style="list-style-type: none"> <li>a. Clear error in programming mode and power cycle unit and check error to validate.</li> <li>b. Remove obstruction from aperture Clean aperture with soft cloth that won't scratch aperture.</li> <li>c. Check aperture for excessive scratches</li> </ul>
E014 – RFID RFID board lost communication	<ul style="list-style-type: none"> <li>a. Clear error in programming mode and power cycle unit and check error to validate.</li> <li>b. Check cable connection to RFID board.</li> </ul>
Error5	This is not an error. This is how the screen displays the "Errors" menu option.

**I. FEDERAL COMMUNICATIONS COMMISSIONS (FCC) and INDUSTRY CANADA (IC) COMPLIANCE STATEMENTS**

**I.1. FCC Compliance Statement**

**I.1.1. Part 15.19**

This device complies with Part 15 of the FCC Rules. Operation is subject to the following two conditions: (1) this device may not cause harmful interference, and (2) this device must accept any interference received, including interference that may cause undesired operation.

**I.1.2. Part 15.21**

Any changes or modifications to this equipment not expressly approved by Haws Corporation may cause harmful interference and void the user's authority to operate this equipment.

**I.1.3. FCC ID**

FCC ID: 2AUAN-12XXSM

**I.2. Formal notices required by the Industry Canada ("IC")**

**I.2.1. Compliance Statement**

This device contains licence-exempt transmitter(s)/receiver(s) that comply with Innovation, Science and Economic Development Canada's licence-exempt RSS(s). Operation is subject to the following two conditions:

1. This device may not cause interference.
2. This device must accept any interference, including interference that may cause undesired operation of the device.

**Declaration de Conformité**

L'émetteur/récepteur exempt de licence contenu dans le présent appareil est conforme aux CNR d'Innovation, Sciences et Développement économique Canada applicables aux appareils radio exempts de licence. L'exploitation est autorisée aux deux conditions suivantes :

1. L'appareil ne doit pas produire de brouillage;



2. L'appareil doit accepter tout brouillage radioélectrique subi, même si le brouillage est susceptible d'en compromettre le fonctionnement.

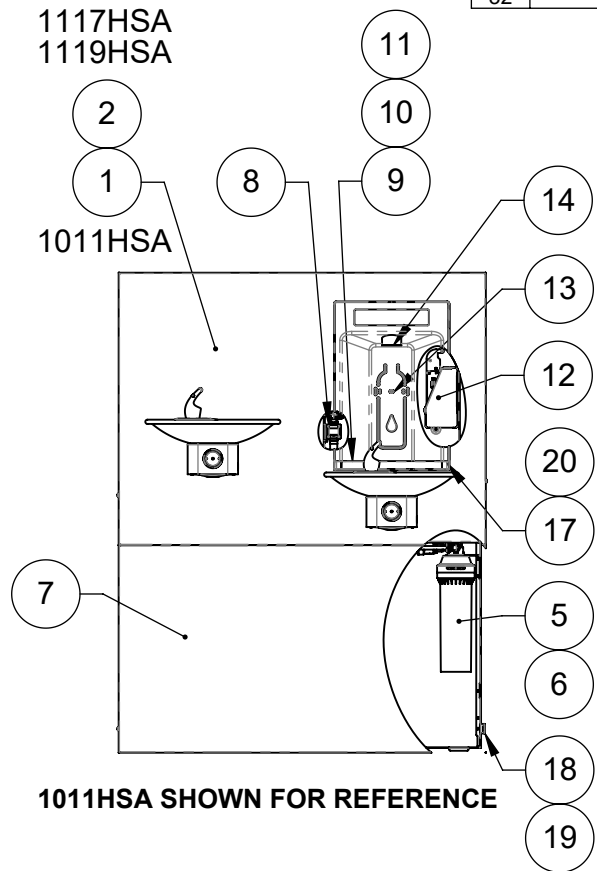
### **I.2.2. IC ID**

IC ID: 25359-12XXSM

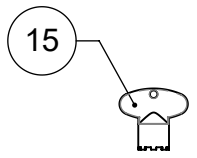
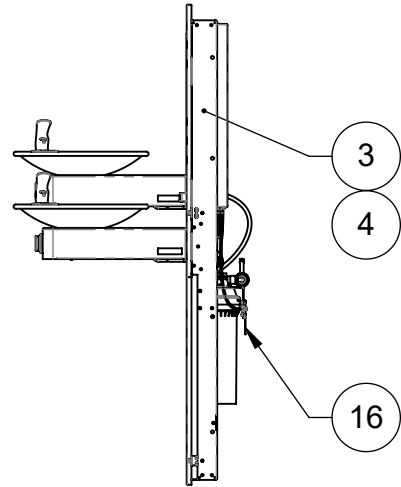
\*For more information about Haws products, see our website: [www.hawSCO.com](http://www.hawSCO.com)

© 2024 Haws® Corporation – All Rights Reserved  
HAWS® and other trademarks used in these materials are the exclusive property of Haws Corporation.


ITEM	DESCRIPTION	PART NO.
1	BOTTLE FILLER, 1011 HS MODELS	HS4
2	BOTTLE FILLER, 1117/1119 HS MODELS	HS6
3	FRAME, MOUNTING, SINGLE, W/CORD, RIVIVE FTN & 2000HSA.8	HS11
4	FRAME, MOUNTING, DUAL, W/CORD, RIVIVE FTN MODELS	HS12
5	FILTER, 12XX EWC, LEAD/CYST/CTO	6428
6	STRAINER, MESH, 110 MICRON, NON-SERVICEABLE	6434
7	PANEL, LOWER, 304 SST, HI-LO	0410000923
8	VALVE, SOLENOID, 3/8 QC, 120VAC	0110000827.4
9	DRAIN BASIN, HS MODELS	0410000894
10	GRATE, 304 SST, HS MODELS	0410000895
11	SCREW, 8-32 UNC X .375, SST, PAN, T-20 TORX	0310000550
12	FUSE, 10A-250VAC, SLOW BLOW, 5MM X 20MM, GLASS	0210001120
13	PCBA, PROXIMITY SENSOR, HS MODELS	0210001175
14	AERATOR, LAMINAR FLOW CONTROL, 1.2 GPM	0110001537
15	AERATOR INSTALLATION TOOL	0510000672
16	RFID BOARD PCBA	0210000745.6
17	COVER, CORNER, HS MODELS	0410000897
18	CLIP, PANEL ATTACHMENT, HS MODELS	0410000903
19	SCREW, 8-32 UNC X .500, SST, PAN, T-20 TORX	0310000551
20	SCREW, 10-24 UNC X .563, SST, BUTTON HEAD, T20 TORX	0310000540
21	BUBBLER HEAD, PCP, 1001 BOWL	5705
22	BUBBLER HEAD, PCP, 1107 AND 1109 FTN	5703M
23	BUTTON, PUSH, 5874, FLANGED W/ VALVE	5874PBF
24	BUTTON, PUSH, 5874, FLANGED	PBA6
25	VALVE REPAIR KIT	VRK5874
26	STRAINER, WASTE ASSEMBLY, SCP OR PCP, 1001 FTN	6463
27	STRAINER, WASTE ASSEMBLY, 1107 AND 1109 FTN	6462
28	PLATE, BOTTOM, 1001 FTN	PBM1000
29	PLATE, BOTTOM, 1107 FTN	PBM1107
30	PLATE, BOTTOM, 1109 FTN	PBM1109
31	PLATE, BOTTOM, 1105 FTN	PBM1105
32	DRIVER, NOZZLE, .25 HEX	0002082253

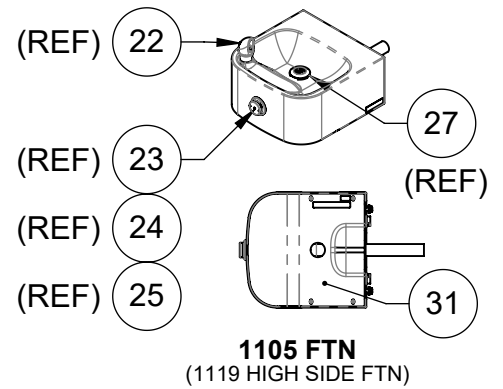
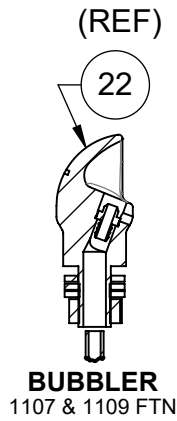
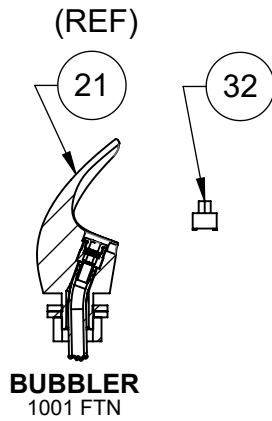
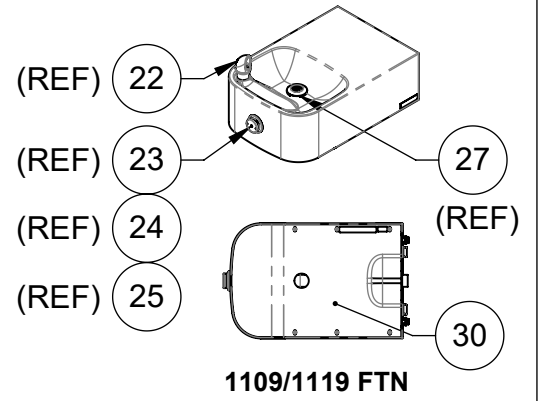
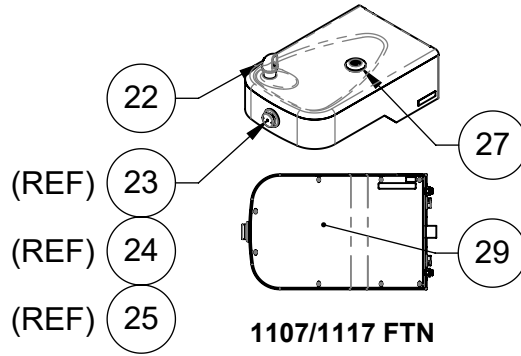
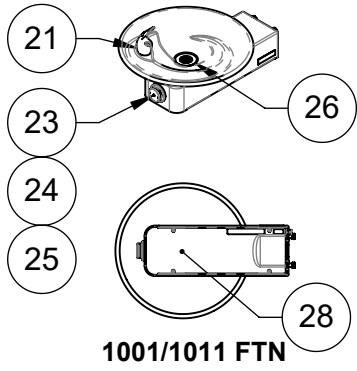


1011HSA SHOWN FOR REFERENCE




WHEN ORDERING PARTS, PLEASE SPECIFY PART NUMBER

			1455 KLEPPE LANE SPARKS, NEVADA 89431 (775) 359-4712 FAX (775) 359-7424 E-MAIL: HAWS@HAWSO.COM WEBSITE: WWW.HAWSO.COM	
ECN: 6000	REV. ECN: 6000	BY: DHP	MODEL(S)	PART NUMBER
DRAWN: DHP	DATE: 12/15/22	CHKD: DHP	1XXXHSA, DUAL FOUNTAIN MODELS	0510002202
APPROVED: JU	DATE: 07/08/24			REVISION 1
SCALE: 1:20			DRAWING TYPE: PARTS BREAKDOWN	SIZE: A SHEET 1 OF 2

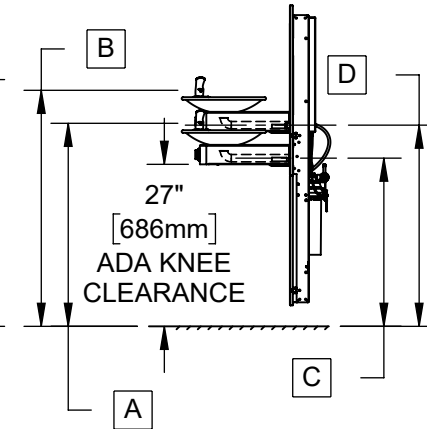
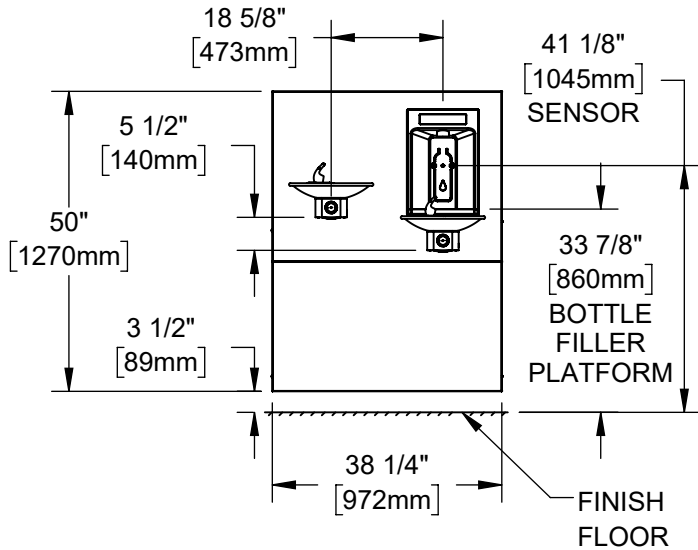
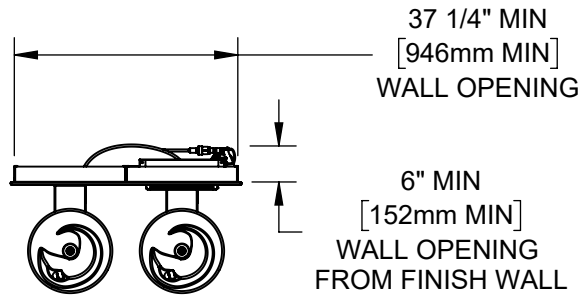


WHEN ORDERING PARTS, PLEASE  
SPECIFY PART NUMBER

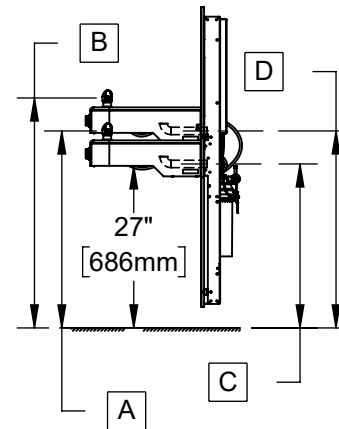
		1455 KLEPPE LANE SPARKS, NEVADA 89431 (775) 359-4712 FAX (775) 359-7424 E-MAIL: HAWS@HAWSO.COM WEBSITE: WWW.HAWSO.COM	
ECN: 6000	REV. ECN: 6000	BY: DHP	MODEL(S) 1XXXHSA, DUAL FOUNTAIN MODELS
DRAWN: DHP	DATE: 12/15/22	CHKD: DHP	PART NUMBER 0510002202
APPROVED: JU	DATE: 07/08/24	SCALE: 1:20	REVISION 1
DRAWING TYPE: PARTS BREAKDOWN		SIZE: A	SHEET 2 OF 2

**NOTES:**

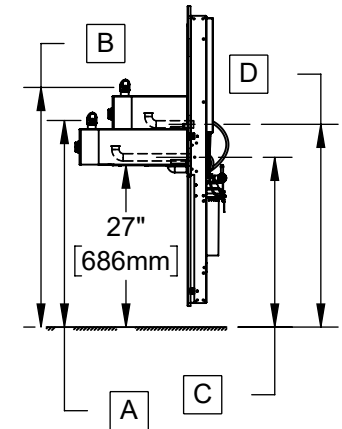
1. HOLD ROUGH-IN DIMENSIONS  $\pm 1/4"$  (6.4mm).
2. WHEN INSTALLING THIS UNIT, LOCAL, STATE, OR FEDERAL CODES SHOULD BE ADHERED TO. INSTALL A TRAP IN THE WASTE LINE AND A SCREWDRIVER STOP IN THE SUPPLY LINE IF REQUIRED.



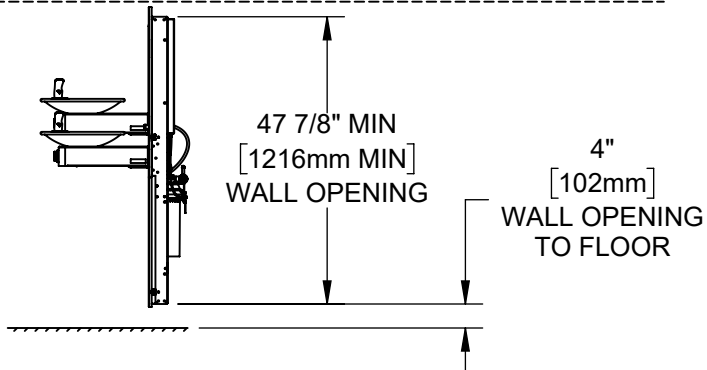
**1011HSA**



**1117HSA**



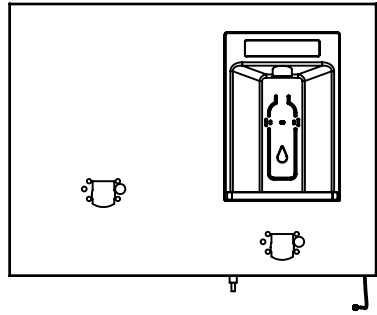
**1119HSA**



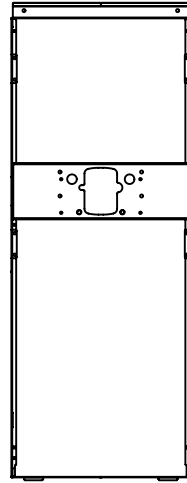
	A	B	C	D	
FOUNTAIN MODELS	LOW SIDE BUBBLER	HIGH SIDE BUBBLER	LOW SIDE DRAIN	HIGH SIDE DRAIN	WASTE BEND SIZE
1001/1011	33 13/16" [858mm]	39 5/16" [998mm]	28" [711mm]	33 1/2" [851mm]	1-1/4"
1107/1117	32 13/16" [834mm]	38 5/16" [974mm]	27 5/16" [694mm]	32 13/16" [834mm]	1-1/4"
1109/1119	34 7/16" [875mm]	39 15/16" [1014mm]	28 1/4" [718mm]	33 3/4" [857mm]	1-1/4"

1455 KLEPPE LANE  
SPARKS, NEVADA 89431  
(775) 359-4712 FAX (775) 359-7424  
E-MAIL: HAWS@HAWS.CO.COM  
WEBSITE: WWW.HAWS.CO.COM

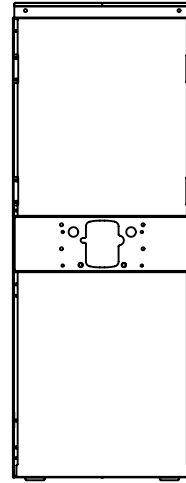
ECN: 6000	REV. ECN: 6000	BY: DHP	MODEL(S)	PART NUMBER
DRAWN: DHP	DATE: 12/15/22	CHKD: DHP	1XXXHSA, DUAL FOUNTAIN MODELS	0510002202.D
APPROVED: JU	DATE: 07/08/24	SCALE: 1:32	DRAWING TYPE: INSTALLATION	REVISION: 1
			SIZE: A	SHEET 1 OF 11



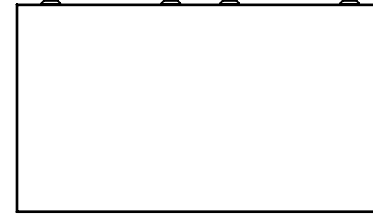
BOTTLE FILLER  
(HS4 SHOWN FOR REFERENCE)



HIGH SIDE FRAME  
(0410000901)



LOW SIDE FRAME (HS11)

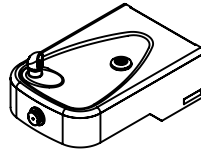


LOWER PANEL  
(0410000923)

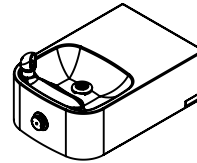
HS12



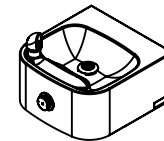
1011 FOUNTAIN (2X, HS7)



1117 FOUNTAIN (2X, HS8)



1119 LOW SIDE FOUNTAIN (HS9)



1119 HIGH SIDE FOUNTAIN (HS10)

HS MODEL #	BOTTLE FILLER	LOW SIDE FRAME	HIGH SIDE FRAME	LOW SIDE FOUNTAIN	HIGH SIDE FOUNTAIN	LOWER PANEL	LOOSE PARTS KIT
1011HSA	HS4	HS11	0410000901	HS7	HS7	0410000923	HS103
1117HSA	HS6	HS11	0410000901	HS8	HS8	0410000923	HS103
1119HSA	HS6	HS11	0410000901	HS9	HS10	0410000923	HS103

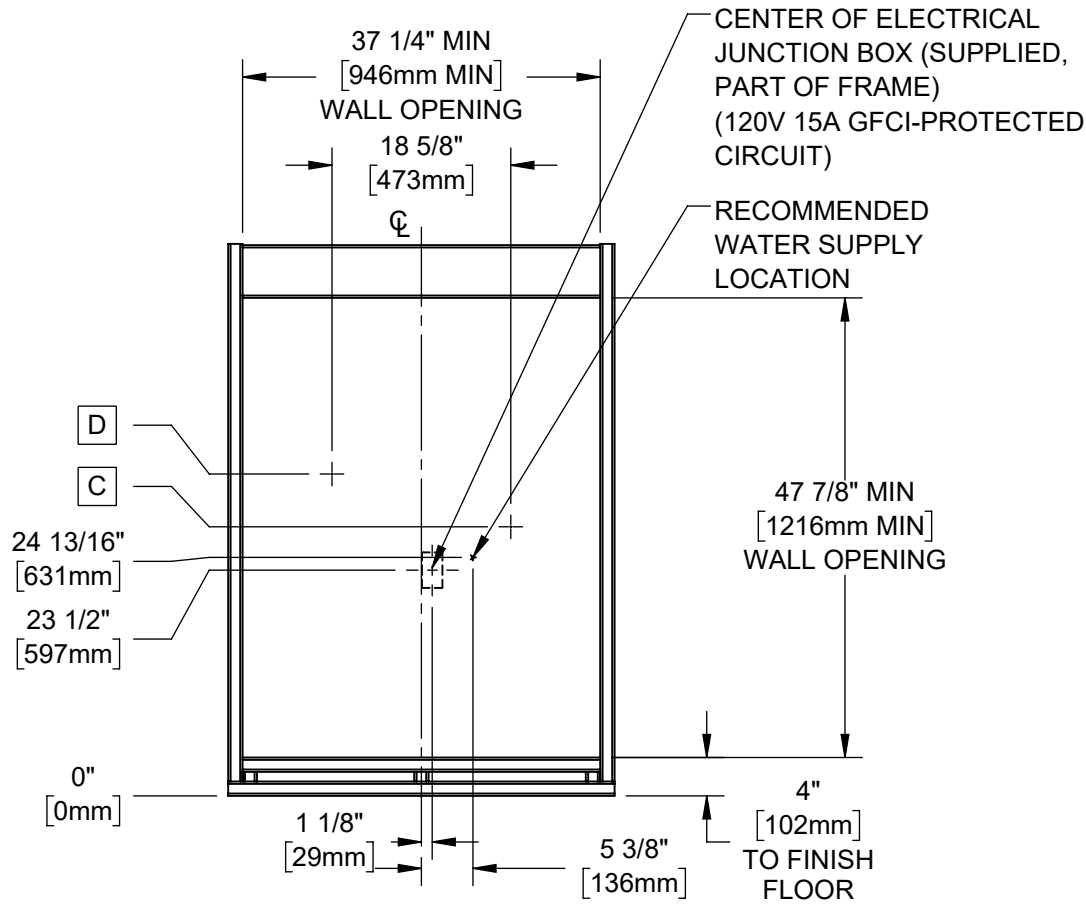


**Haws**  
Since 1906

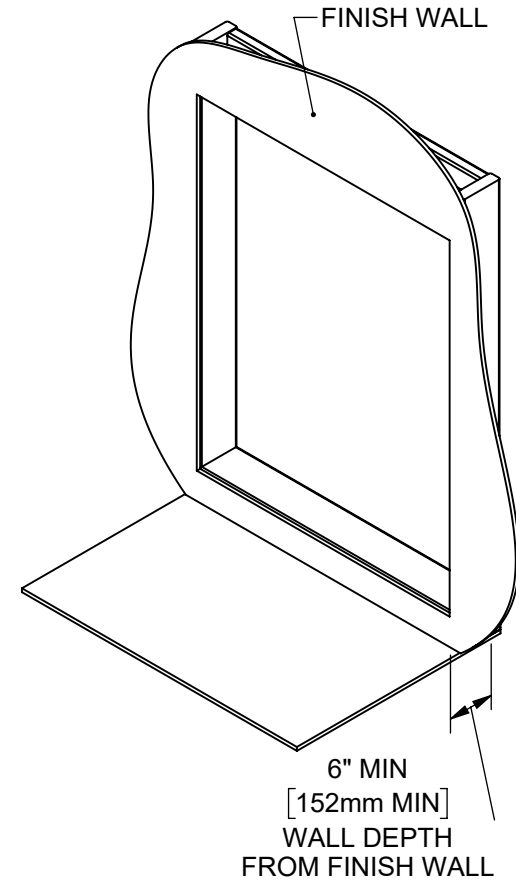
1455 KLEPPE LANE  
SPARKS, NEVADA 89431  
(775) 359-4712 FAX (775) 359-7424  
E-MAIL: HAWS@HAWS.CO.COM  
WEBSITE: WWW.HAWS.CO.COM

ECN: 6000	REV. ECN: 6000	BY: DHP	MODEL(S)	PART NUMBER
DRAWN: DHP	DATE: 12/15/22	CHKD: DHP	1XXXHSA, DUAL FOUNTAIN MODELS	0510002202.D
APPROVED: JU	DATE: 07/08/24			REVISION 1
SCALE: 1:20			DRAWING TYPE: INSTALLATION	SHEET 2 OF 11

3. ROUGH IN WALL CAVITY WITH DIMENSIONS SHOWN. ROUGH IN ELECTRICAL, WASTE PIPING, AND WATER SUPPLY AS REQUIRED. BE SURE ELECTRICAL, WASTE PIPING, AND WATER SUPPLY IS CLEAR OF THE INSTALLED LOCATION OF THE IN WALL FRAME, AND BOTTLE FILLER.



TYPICAL WALL OPENING



	C	D	
FOUNTAIN MODELS	LOW SIDE DRAIN	HIGH SIDE DRAIN	WASTE BEND SIZE
1001/1011	28" [711mm]	33 1/2" [851mm]	1-1/4"
1107/1117	27 5/16" [694mm]	32 13/16" [834mm]	1-1/4"
1109/1119	28 1/4" [718mm]	33 3/4" [857mm]	1-1/4"



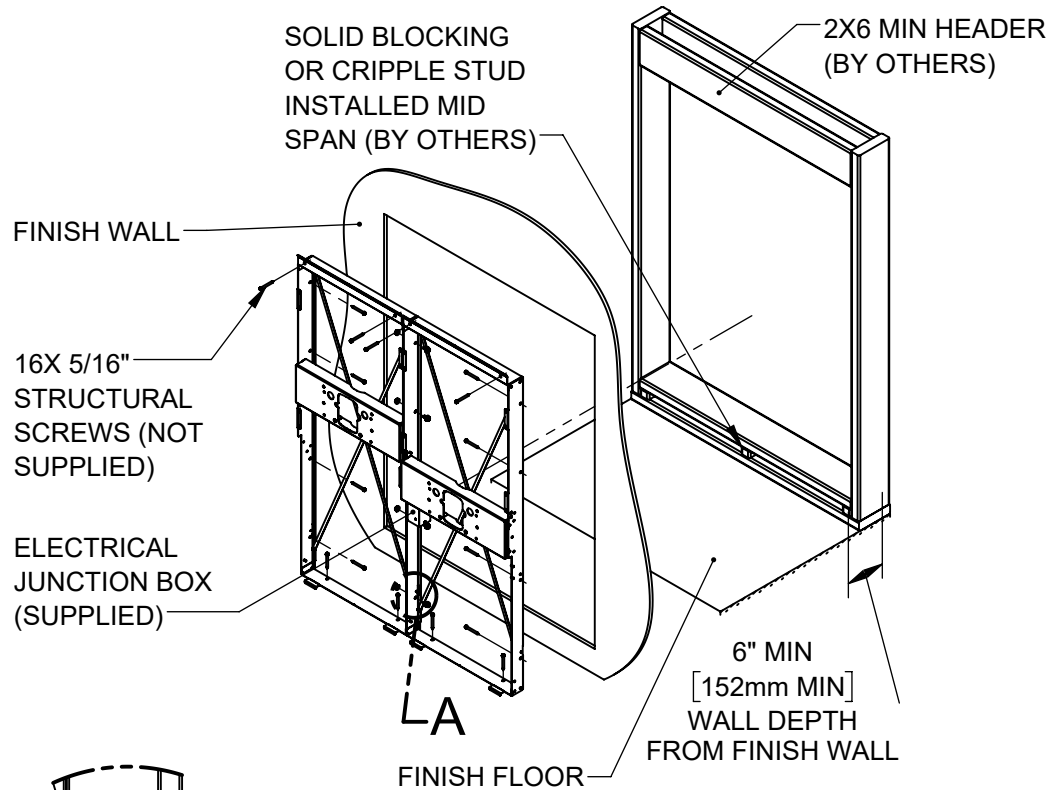
**Haws**<sup>®</sup>

Since 1906

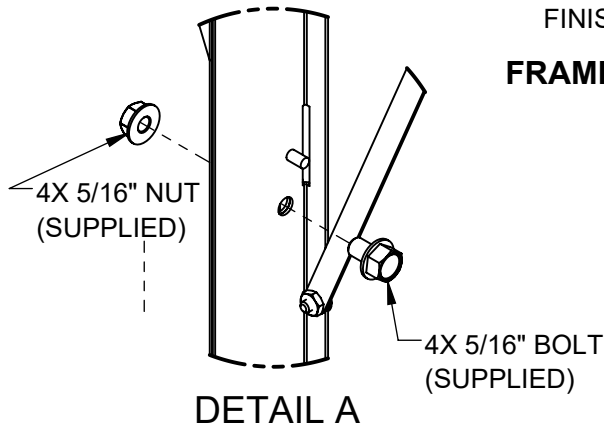
1455 KLEPPE LANE  
SPARKS, NEVADA 89431  
(775) 359-4712 FAX (775) 359-7424  
E-MAIL: HAWS@HAWSCO.COM  
WEBSITE: WWW.HAWSCO.COM

ECN: 6000	REV. ECN: 6000	BY: DHP	MODEL(S)	PART NUMBER
DRAWN: DHP	DATE: 12/15/22	CHKD: DHP	1XXXHSA, DUAL FOUNTAIN MODELS	0510002202.D
APPROVED: JU	DATE: 07/08/24			REVISION
				1
SCALE: 1:20		DRAWING TYPE: INSTALLATION		SIZE: A
SHEET 3 OF 11				

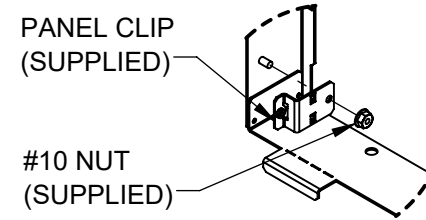
4. BOLT FRAMES TOGETHER USING 4X 5/16" BOLTS AND NUTS AS SHOWN (DETAIL A). INSTALL 4X PANEL CLIPS (DETAIL B) USING #10 NUTS (SUPPLIED).
5. MOUNT FRAME ASSEMBLY INTO WALL CAVITY USING 16X STRUCTURAL SCREWS (NOT SUPPLIED), USE SHIMS AS NEEDED AND ENSURE THE FRAME IS SQUARE.



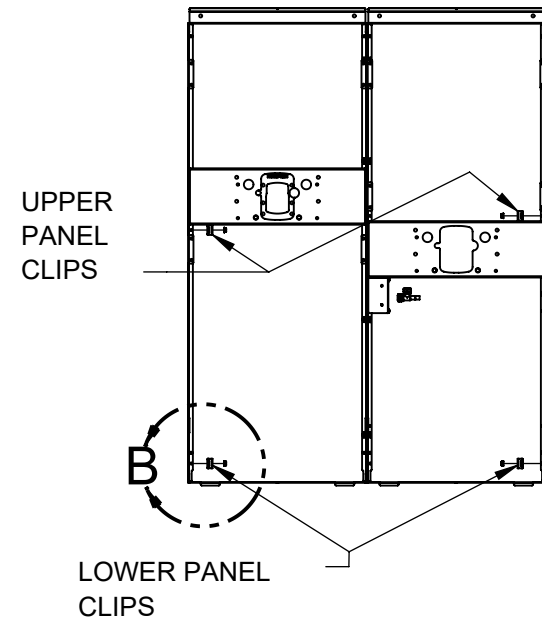
**FRAME INSTALLATION**



**DETAIL A**



**DETAIL B  
PANEL CLIP  
INSTALL  
(4 PLACES)**



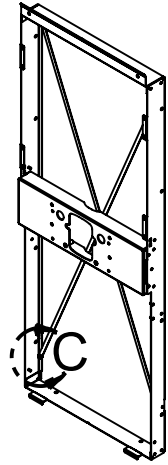
**PANEL CLIP INSTALLATION**

ECN: 6000		REV. ECN: 6000	BY: DHP	MODEL(S)	PART NUMBER
DRAWN: DHP		DATE: 12/15/22	CHKD: DHP	1XXXHSA, DUAL FOUNTAIN MODELS	0510002202.D
APPROVED: JU	DATE: 07/08/24	SCALE: 1:20	DRAWING TYPE: INSTALLATION	SIZE: A	REVISION 1
© 2024 Haws Corporation - All Rights Reserved. HAWS® and other trademarks used in these materials are the exclusive property of Haws Corporation.				SHEET 4 OF 11	



1455 KLEPPE LANE  
SPARKS, NEVADA 89431  
(775) 359-4712 FAX (775) 359-7424  
E-MAIL: HAWS@HAWS.CO.COM  
WEBSITE: WWW.HAWS.CO.COM

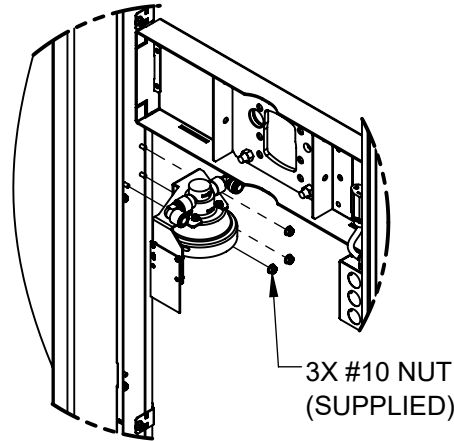
6. REMOVE SHIPPING BRACKETS FROM RIGHT AND LEFT FRAME (DETAIL C).
7. INSTALL FILTER HEAD USING 3X SUPPLIED #10 NUTS (DETAIL D).
8. (1011HSA ONLY) INSTALL 1001 DRINKING FOUNTAIN ADAPTERS USING 2X SUPPLIED 3/8" NUTS (DETAIL E). ENSURE THE CORRECT ORIENTATION OF THE ADAPTER PLATE, "FRONT" IS PRINTED ON THE ADAPTER PLATE AND SHOULD BE ORIENTED TOWARDS THE FINISH WALL.



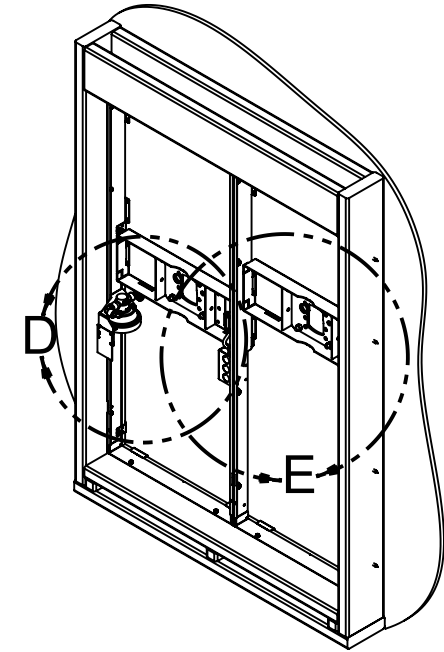
REMOVE SHIPPING  
CROSS BRACING

**DETAIL C**  
(4 PLACES)

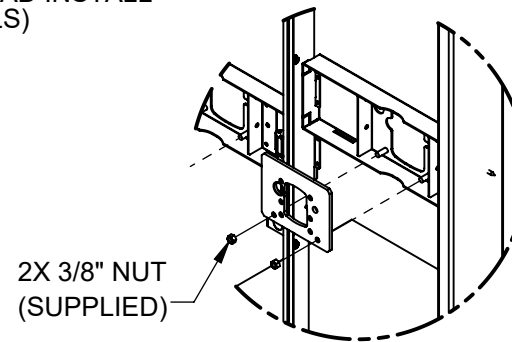
**SHIPPING CROSS  
BRACE REMOVAL**



**DETAIL D**  
FILTER/STRAINER HEAD INSTALL  
(ALL MODELS)



**REAR VIEW**



**DETAIL E**  
1001 FOUNTAIN ADAPTER PLATE (1001/1011  
MODELS ONLY)

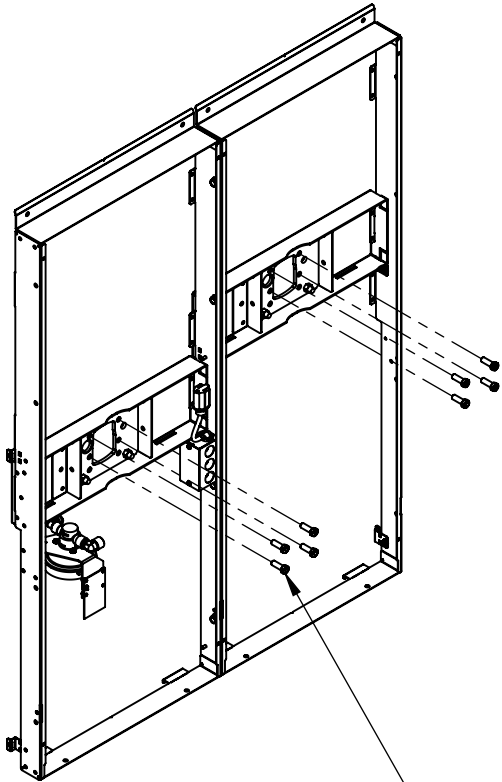


1455 KLEPPE LANE  
SPARKS, NEVADA 89431  
(775) 359-4712 FAX (775) 359-7424  
E-MAIL: HAWS@HAWSO.COM  
WEBSITE: WWW.HAWSO.COM

ECN: 6000	REV. ECN: 6000	BY: DHP	MODEL(S) 1XXXHSA, DUAL FOUNTAIN MODELS	PART NUMBER 0510002202.D
DRAWN: DHP	DATE: 12/15/22	CHKD: DHP		REVISION 1
APPROVED: JU	DATE: 07/08/24	SCALE: 1:20	DRAWING TYPE: INSTALLATION	SIZE: A
				SHEET 5 OF 11



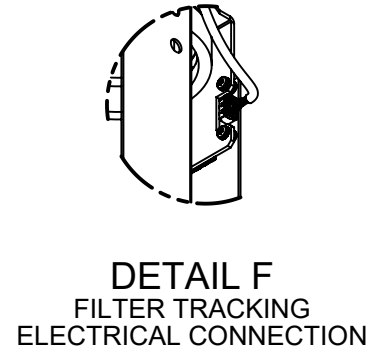
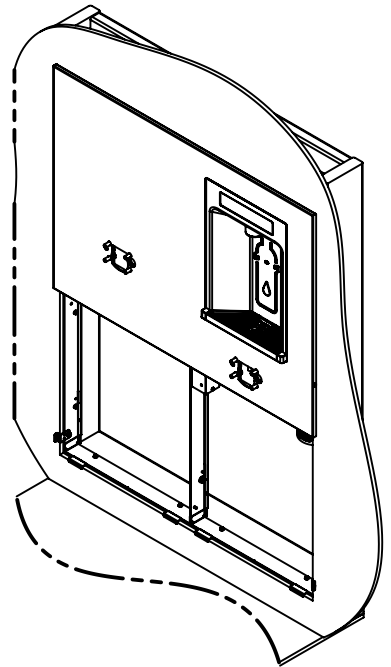
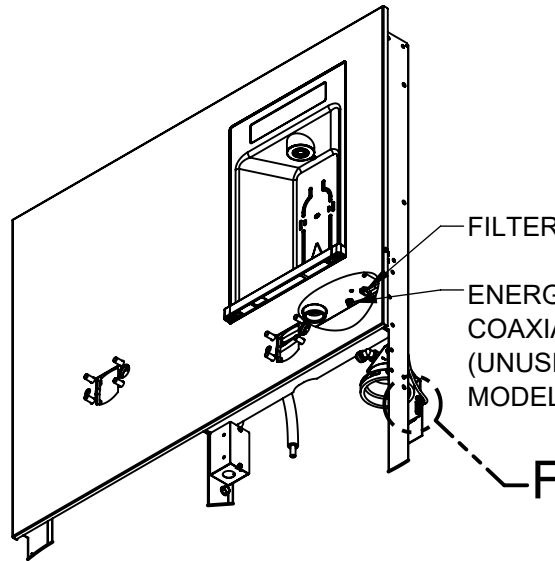
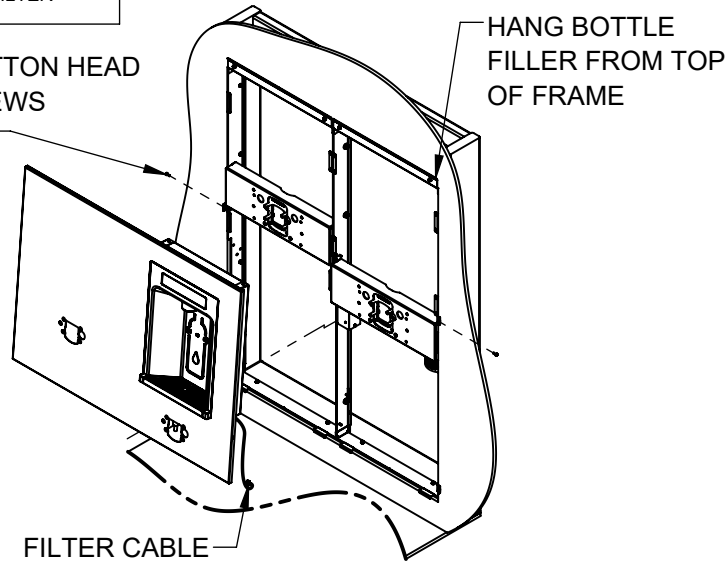
9. INSTALL 8X 3/8" DRINKING FOUNTAIN BOLTS (SUPPLIED) FROM THE BACK SIDE OF THE FRAME.
10. HANG THE BOTTLE FILLER FROM THE TOP OF THE FRAME AND ALIGN THE PANEL SO THE 3/8" DRINKING FOUNTAIN BOLTS PROTRUDE THROUGH THE PANEL. INSTALL THE 2X #8 PANEL SCREWS (SUPPLIED) ON EITHER SIDE OF THE BOTTLE FILLER PANEL.
11. CONNECT THE FILTER CABLE (RIGHT SIDE OF THE BOTTLE FILLER) TO THE FILTER TRACKING BOARD.



8X DRINKING FOUNTAIN BOLTS (SUPPLIED). USE WASHERS (SUPPLIED) UNDER HEAD OF BOLTS FOR 1107/1117 AND 1109/1119 MODELS

**REAR VIEW**

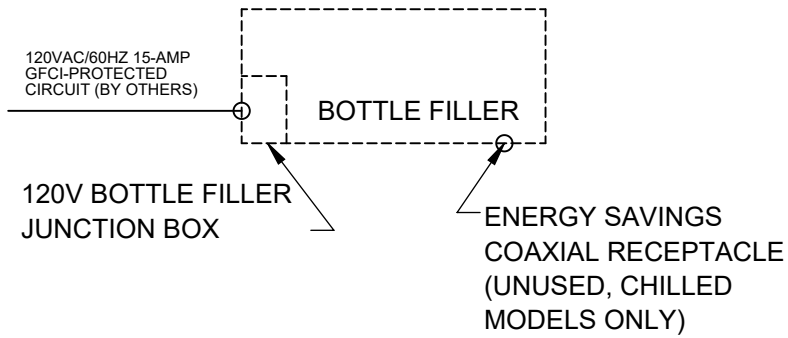
2X #8-32 BUTTON HEAD PANEL SCREWS (SUPPLIED)



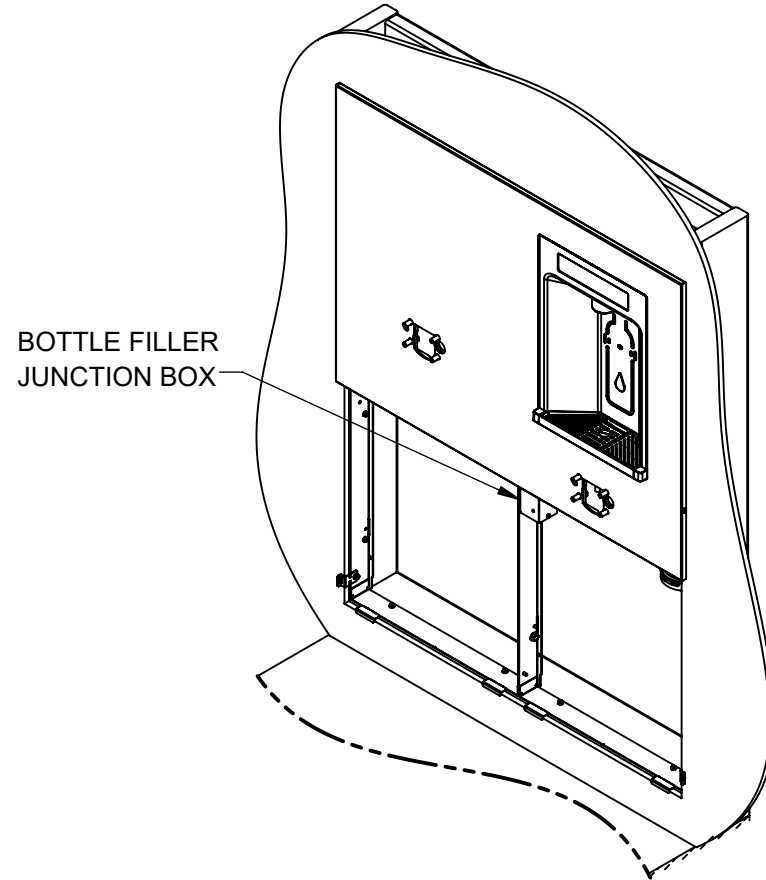
 <b>Haws</b> Since 1906		1455 KLEPPE LANE SPARKS, NEVADA 89431 (775) 359-4712 FAX (775) 359-7424 E-MAIL: HAWS@HAWSO.COM WEBSITE: WWW.HAWSO.COM	
		ECN: 6000 DRAWN: DHP APPROVED: JU	REV. ECN: 6000 DATE: 12/15/22 DATE: 07/08/24
PART NUMBER 0510002202.D			REVISION 1
SCALE: 1:14   DRAWING TYPE: INSTALLATION		SIZE: A   SHEET 6 OF 11	


NOTE: STEP 12 CAN BE PERFORMED LATER IN INSTALLATION IF DESIRED.

12. HAVE AN ELECTRICIAN CONNECT A 120VAC/60HZ 15-AMP GFCI-PROTECTED CIRCUIT TO THE RESPECTIVE LINE, NEUTRAL, AND GROUND CONNECTIONS INSIDE THE BOTTLE FILLER JUNCTION BOX VIA ONE OF THE AVAILABLE 1/2" KNOCKOUTS.

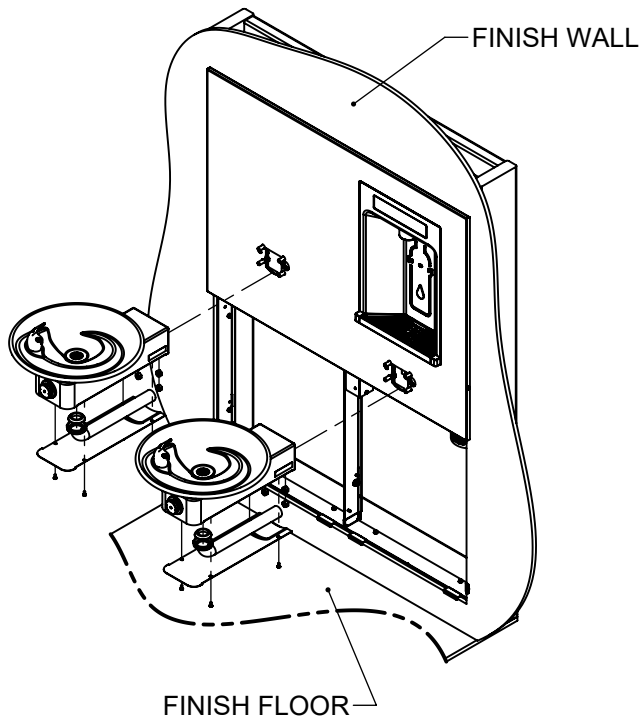


**ELECTRICAL WIRING OVERVIEW**



 <b>Haws</b> Since 1906			1455 KLEPPE LANE SPARKS, NEVADA 89431 (775) 359-4712 FAX (775) 359-7424 E-MAIL: HAWS@HAWSO.COM WEBSITE: WWW.HAWSO.COM		
ECN: 6000	REV. ECN: 6000	BY: DHP	MODEL(S) 1XXXHSA, DUAL FOUNTAIN MODELS		PART NUMBER 0510002202.D
DRAWN: DHP	DATE: 12/15/22	CHKD: DHP			REVISION 1
APPROVED: JU	DATE: 07/08/24	SCALE: 1:20	DRAWING TYPE: INSTALLATION	SIZE: A	SHEET 7 OF 11

13. MOUNT THE DRINKING FOUNTAIN TO THE PROTRUDING 3/8" STUDS FROM STEP 9. INSTALL 4X 3/8" NUTS (SUPPLIED) PER DRINKING FOUNTAIN AND TIGHTEN FULLY (25 LB-FT).
14. INSTALL THE WASTE BEND (SUPPLIED), CUT TO LENGTH AS REQUIRED. REFER TO SHEET 3 FOR DRAIN HEIGHTS FOR EACH MODEL. SET LOWER COVER AND #8 PAN HEAD SCREWS ASIDE, THESE WILL BE INSTALLED ONCE THE WATER SUPPLY PLUMBING IS COMPLETE.



WATER SUPPLY BUSHING (SUPPLIED)

DRAIN WASHER (SUPPLIED)

NUT (SUPPLIED)

LOWER COVER (SUPPLIED)

1-1/4" WASTE BEND (SUPPLIED)

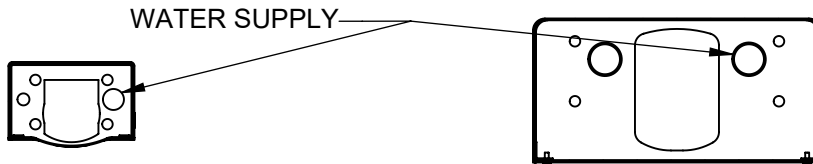
#8-32 PAN HEAD SCREWS (SUPPLIED)

- 1011HSA - 4X
- 1117HSA - 8X
- 1119HSA - 6X

DRINKING FOUNTAIN MOUNTING STUDS

4X 3/8" NUT (SUPPLIED)

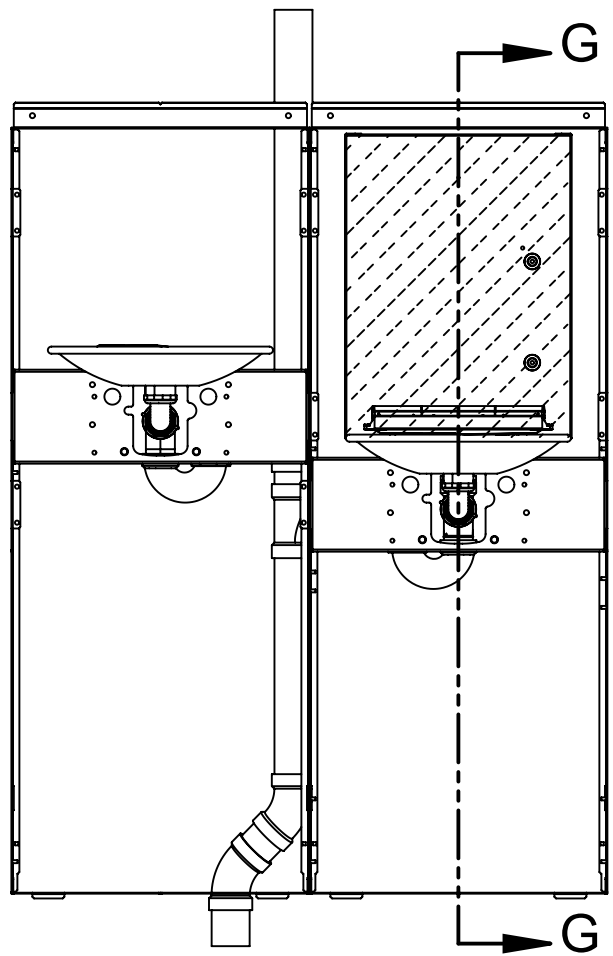
**DRINKING FOUNTAIN HARDWARE**  
(2 PLACES)  
1001/1101 INSTALLATION SHOWN, OTHER DRINKING FOUNTAIN MODELS FOLLOW THE SAME INSTALLATION STEPS AND CONTAIN SIMILAR PARTS.



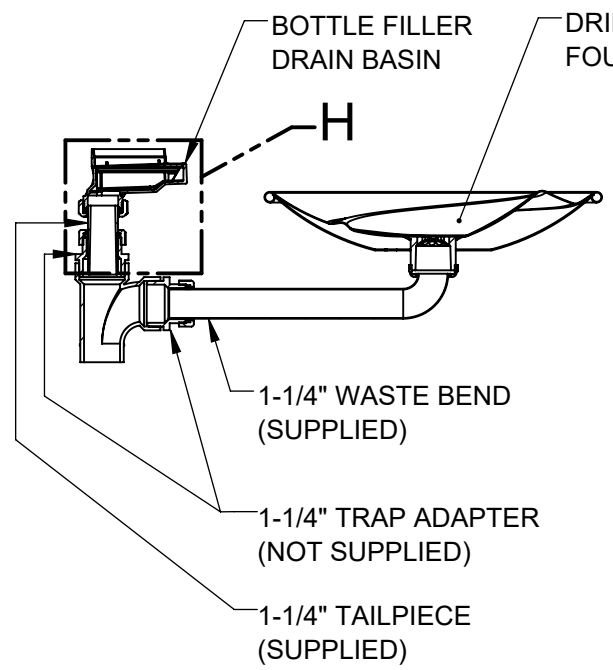
1001/1101  
HOLE  
PATTERN

1107/1117 &  
1109/1119 HOLE  
PATTERN

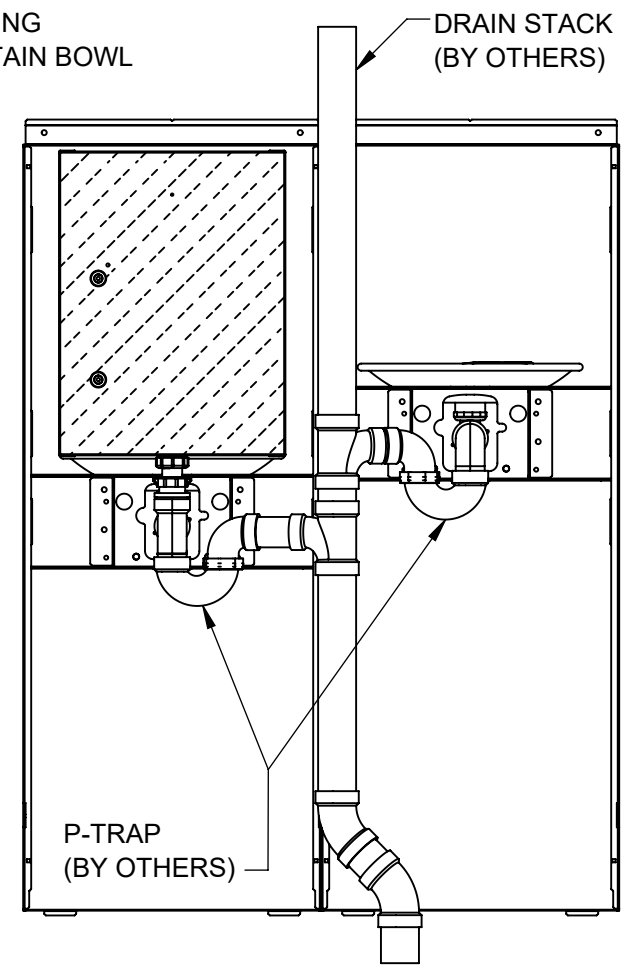
 <b>Haws</b> Since 1906		1455 KLEPPE LANE SPARKS, NEVADA 89431 (775) 359-4712 FAX (775) 359-7424 E-MAIL: HAWS@HAWS.CO.COM WEBSITE: WWW.HAWS.CO.COM	
		ECN: 6000 DRAWN: DHP APPROVED: JU	REV. ECN: 6000 DATE: 12/15/22 DATE: 07/08/24
PART NUMBER 0510002202.D			REVISION 1
SCALE: 1:20   DRAWING TYPE: INSTALLATION   SIZE: A		SHEET 8 OF 11	



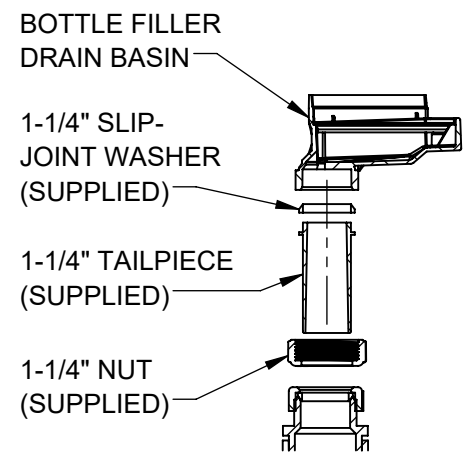
**FRONT VIEW**  
(SOME COMPONENTS HIDDEN FOR CLARITY)



**SECTION G-G**  
(ENLARGED)




**BACK VIEW**  
(SOME COMPONENTS HIDDEN FOR CLARITY)



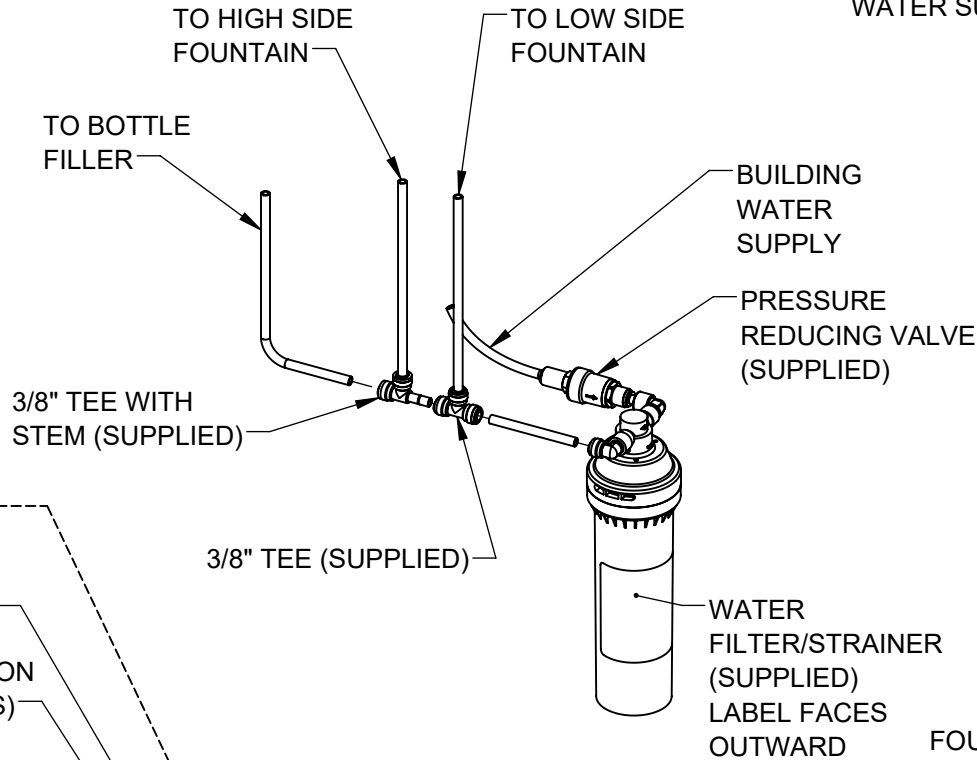
**DETAIL H**  
(EXPLODED VIEW)

**FOR REFERENCE ONLY**

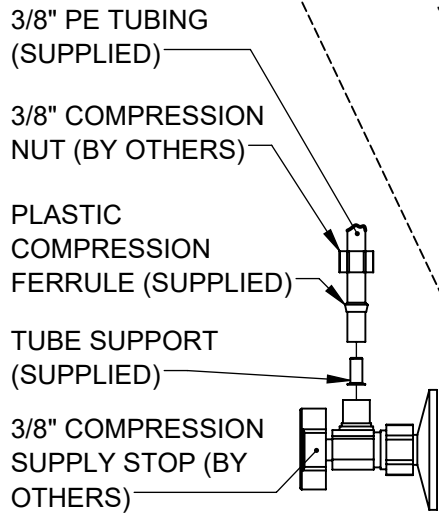
DRAIN STACK SHOWN AS REFERENCE ONLY. LOCAL, STATE, OR FEDERAL CODES SHOULD BE ADHERED TO FOR PROPER DRAIN INSTALLATION.

		1455 KLEPPE LANE SPARKS, NEVADA 89431 (775) 359-4712 FAX (775) 359-7424 E-MAIL: HAWS@HAWS.CO.COM WEBSITE: WWW.HAWS.CO.COM		
ECN: 6000	REV. ECN: 6000	BY: DHP	MODEL(S)	PART NUMBER
DRAWN: DHP	DATE: 12/15/22	CHKD: DHP	1XXXHSA, DUAL FOUNTAIN MODELS	0510002202.D
APPROVED: JU	DATE: 07/08/24	SCALE: 1:12	DRAWING TYPE: INSTALLATION	REVISION
				1
				SHEET 9 OF 11

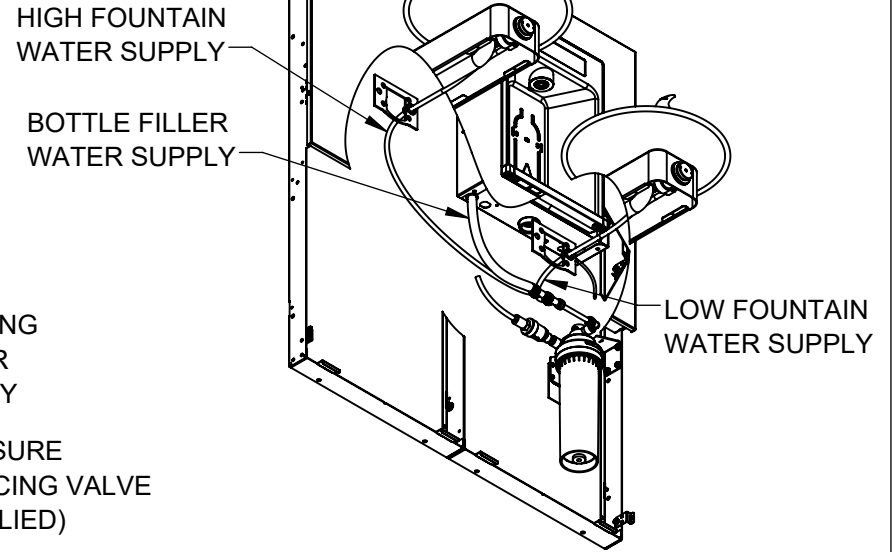
15. INSTALL 3/8" TUBING AS SHOWN. NOTE DIRECTION OF FLOW ARROWS ON FILTER AND PRESSURE REDUCING VALVE. CUT ALL TUBING AND INSULATION AS REQUIRED, ENSURE TUBING IS CUT SQUARE AND FULLY INSERTED INTO PUSH-TO-CONNECT FITTINGS.



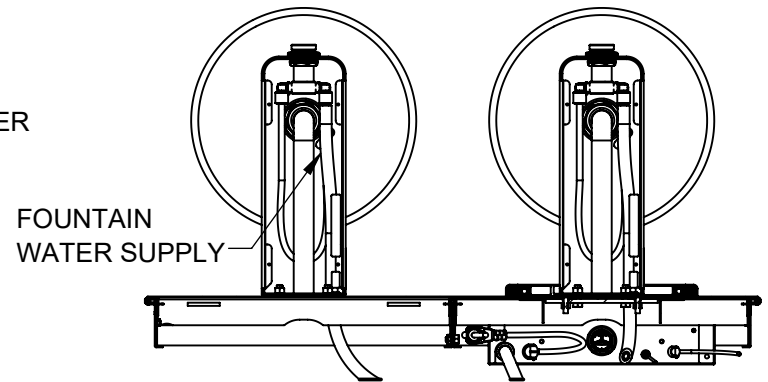
**WATERWAY DIAGRAM**



**WATER SUPPLY CONNECTION**



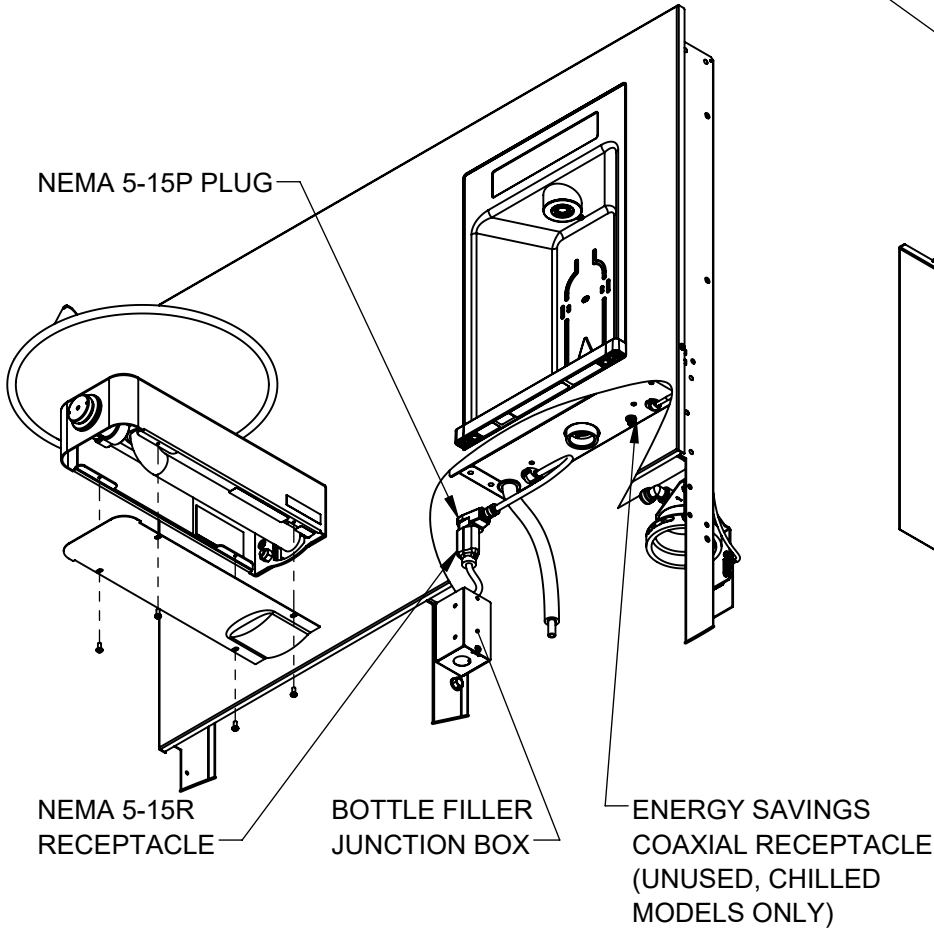
**WATERWAY LAYOUT**  
(SOME COMPONENTS HIDDEN FOR CLARITY)



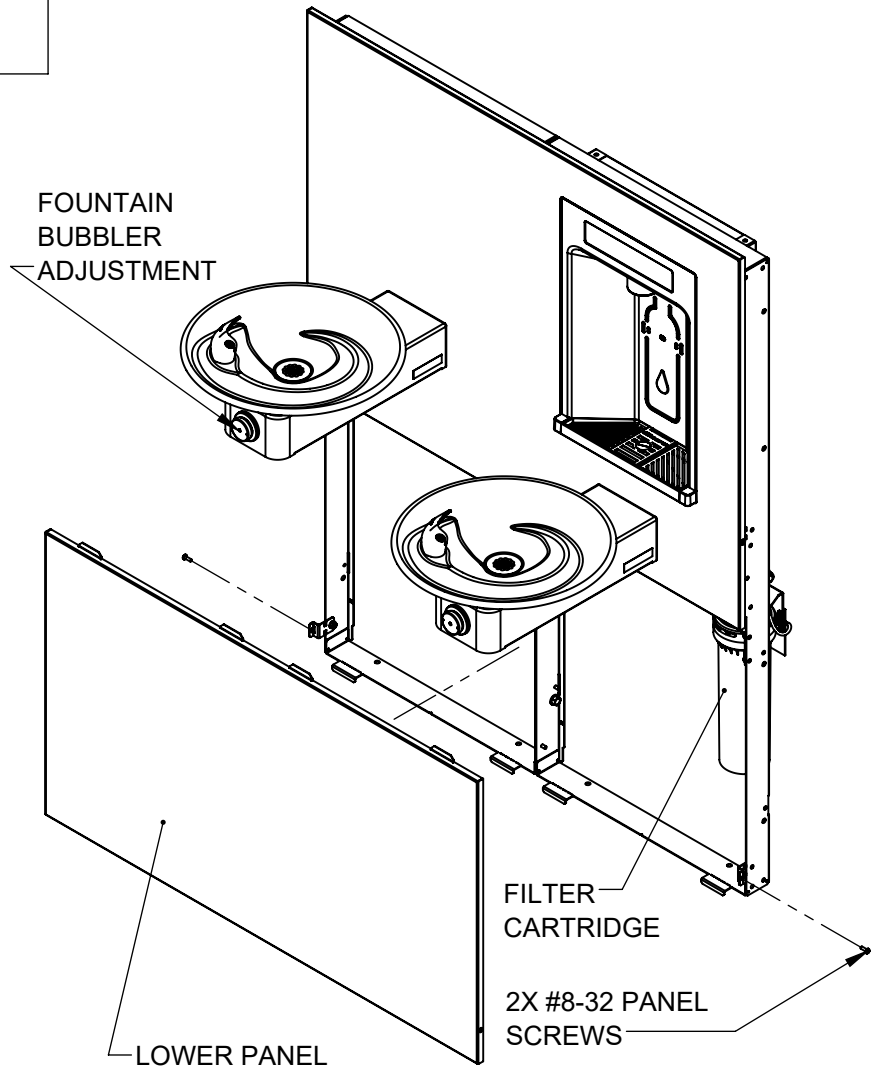
**BOTTOM VIEW**  
(SOME COMPONENTS HIDDEN FOR CLARITY)

 <b>Haws</b> Since 1906		1455 KLEPPE LANE SPARKS, NEVADA 89431 (775) 359-4712 FAX (775) 359-7424 E-MAIL: HAWS@HAWS.CO.COM WEBSITE: WWW.HAWS.CO.COM	
		ECN: 6000 DRAWN: DHP APPROVED: JU	REV. ECN: 6000 DATE: 12/15/22 DATE: 07/08/24
PART NUMBER 0510002202.D			REVISION 1
SCALE: 1:16		DRAWING TYPE: INSTALLATION	SIZE: A SHEET 10 OF 11

16. CONNECT THE NEMA 5-15P BOTTLE FILLER PLUG TO THE NEMA 5-15R RECEPTACLE. VERIFY THAT THE BOTTLE FILLER DISPLAY HAS POWERED ON.
17. INSTALL THE FILTER CARTRIDGE INTO THE FILTER HEAD.
18. MOUNT THE LOWER PANEL USING 2X #8 PANEL SCREWS (SUPPLIED).
19. INSTALL DRINKING FOUNTAIN LOWER COVERS WITH 4X #8 PAN HEAD SCREWS (SUPPLIED) PER FOUNTAIN.



**ELECTRICAL CONNECTIONS AND DRINKING FOUNTAIN LOWER COVER (SOME COMPONENTS HIDDEN FOR CLARITY)**



**LOWER PANEL INSTALLATION**

 <b>Haws</b> Since 1906		1455 KLEPPE LANE SPARKS, NEVADA 89431 (775) 359-4712 FAX (775) 359-7424 E-MAIL: HAWS@HAWS.CO.COM WEBSITE: WWW.HAWS.CO.COM	
		ECN: 6000 DRAWN: DHP APPROVED: JU	REV. ECN: 6000 DATE: 12/15/22 DATE: 07/08/24
PART NUMBER 0510002202.D REVISION 1			SHEET 11 OF 11