

### FEATURES & BENEFITS

#### HIGH CAPACITY SERVICE

The carbon block filter cartridge delivers 3000-gallons (11356 L) of fresh filtered water or a service life of 1 year.

#### OPTIONS

- Access Panel: Model 6603 wall access panel.
- Replacement filter: Model 6428-C - 12 Pack replacement filter cartridges

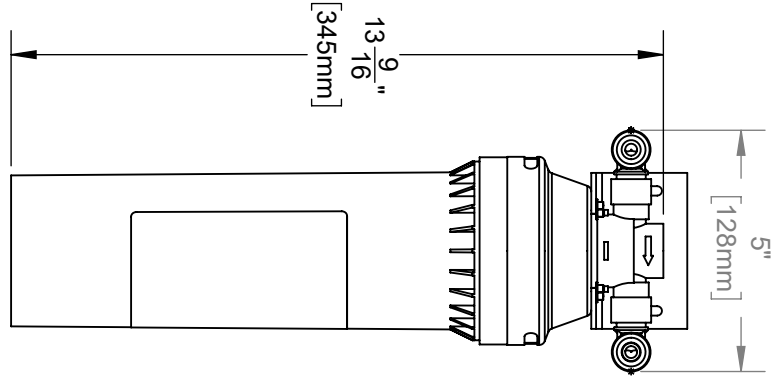
For more information, visit [www.hawsco.com](http://www.hawsco.com) or call (888) 640-4297.



### SPECIFICATIONS

Model 6480 filter kit shall include a 3000 gallon carbon block filter, filter head, and mounting bracket. This kit allows filtration for virtually any fountain or bottle filler, and incorporates a 1/4 turn filter head which allows replacing of the filter without turning water supply off. The filter reduces chlorine (taste and odor) and lead, and removes 99.99% of cysts. It is a carbon block filter cartridge with a service life of 1 year/3000-gallons (11356 L). Tested and certified by CSA against NSF/ANSI Standard 42 for the reduction of chlorine (taste and odor) and against NSF/ ANSI Standard 53 for the reduction of lead and cysts.

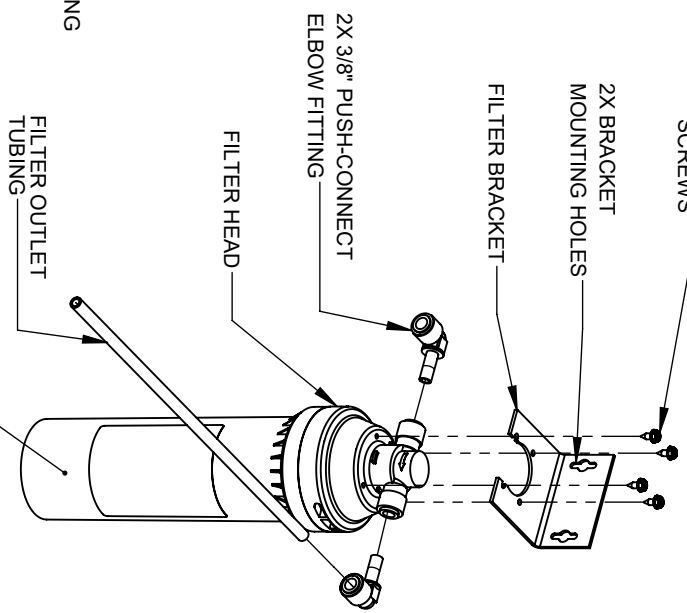
### APPLICATIONS



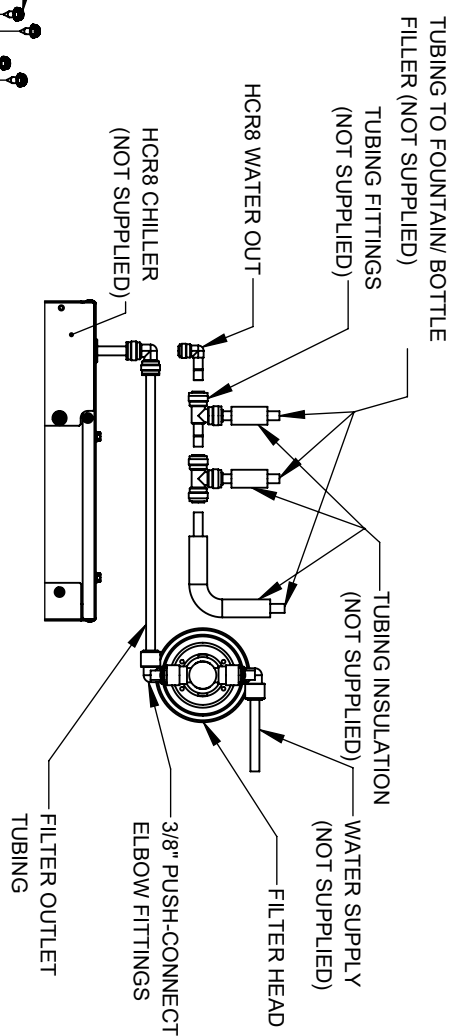
## INSTRUCTIONS

- STEP 1:** USE SCREWS (NOT SUPPLIED) TO MOUNT FILTER BRACKET TO VERTICAL SURFACE THAT IS ACCESSIBLE FOR SERVICING FILTER AND REPLACEMENT.
- STEP 2:** USE 4X PHILLIPS-HEAD #10 X 12MM THREAD CUTTING SCREWS TO SECURE FILTER HEAD TO FILTER BRACKET. ORIENT FLOW ARROW ACCORDINGLY.
- STEP 3:** INSERT 2X 3/8" PUSH-CONNECT ELBOW FITTINGS INTO FILTER HEAD. INSERT FULLY.

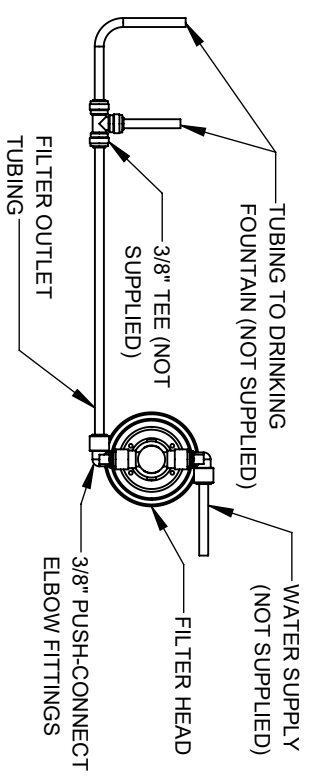
- STEP 4:** INSERT FILTER INTO FILTER HEAD ACCORDING TO NOTCHES ON INSIDE OF HEAD AND TOP OF FILTER AND MAKE 1/4 TURN UNTIL FILTER IS SECURE.



## FILTER KIT INSTALL



## TYPICAL WATERWAY INSTALL WITH CHILLING UNIT EXTRA COMPONENTS NOT INCLUDED



## TYPICAL WATERWAY INSTALL WITHOUT CHILLER EXTRA COMPONENTS NOT INCLUDED

|                 |                |   |                            |
|-----------------|----------------|---|----------------------------|
|                 |                | 1455 KLEPPE LANE<br>SPARKS, NEVADA, 89431 |                            |
| Since 1906      |                | (775) 359-4712 FAX (775) 359-7424         |                            |
|                 |                | E-MAIL: HAWS@HAWS.CO.COM                  |                            |
|                 |                | WEBSITE: WWW.HAWS.CO.COM                  |                            |
| EN: 6016        | REV: E09       | BY: J.G.                                  | MODEL(S): 6480             |
| DRAWN: 10/24/16 | DATE: 10/24/16 | CHKD: J.S.                                |                            |
| APPROVED: RH    | DATE: 06/27/24 | SCALE: 1:12                               | DRAWING TYPE: INSTALLATION |
|                 |                | SIZE: A                                   | SHEET 1 OF 2               |
|                 |                | PART NUMBER: 0510002217.D                 | REVISION: 2                |

# FILTER REPLACEMENT SHEET

To ensure maximum benefit from your Haws Filter, track installations and replacements on this sheet according to the guidelines listed below.

## ***REPLACEMENT FITLER***

**Haws Part No. 6428**

Change filter every 3,000 gallons or once a year - whichever occurs first

| <b>INSTALLATION DATE</b> | <b>SERVICE PERSON</b> | <b>INSTALLATION DATE</b> | <b>SERVICE PERSON</b> |
|--------------------------|-----------------------|--------------------------|-----------------------|
|                          |                       |                          |                       |
|                          |                       |                          |                       |
|                          |                       |                          |                       |
|                          |                       |                          |                       |
|                          |                       |                          |                       |
|                          |                       |                          |                       |
|                          |                       |                          |                       |
|                          |                       |                          |                       |
|                          |                       |                          |                       |
|                          |                       |                          |                       |
|                          |                       |                          |                       |
|                          |                       |                          |                       |
|                          |                       |                          |                       |
|                          |                       |                          |                       |
|                          |                       |                          |                       |
|                          |                       |                          |                       |
|                          |                       |                          |                       |
|                          |                       |                          |                       |
|                          |                       |                          |                       |
|                          |                       |                          |                       |

|   |  |
|---|--|
|  <b>Haws</b> <sup>®</sup><br>Since 1906 | 1455 KLEPPE LANE                                     |
|   | SPARKS, NEVADA 89431                                 |
|   | (775) 359-4712 FAX (775) 359-7424                    |
|   | E-MAIL: HAWS@HAWS.CO.COM<br>WEBSITE: WWW.HAWS.CO.COM |