



INSTALLATION, OPERATION & MAINTENANCE INSTRUCTIONS

1455 Kleppe Lane ♦ Sparks, NV 89431-6467 ♦ (775) 359-4712 ♦ Fax (775) 359-7424
E-mail: haws@hawsco.com ♦ website: www.hawsco.com

0580002176(1)

Model 8606SS Dual Entry Stainless Steel Emergency Shower Booth & Eye/Face Wash Booth

NOTE TO INSTALLER: Please leave this information with the Maintenance Department.

LIMITED WARRANTY

HAWS warrants that this specific product is guaranteed against defective material or poor workmanship for a period of **one year from date of shipment**. HAWS liability under this warranty shall be discharged by furnishing without charge F.O.B. HAWS Factory any goods, or part thereof, which shall appear to the Company upon inspection to be of defective material or not of first class workmanship, provided that claim is made in writing to Haws within a reasonable period after receipt of the product. Where claims for defects are made, the defective part or parts shall be delivered to the Company, prepaid, for inspection. HAWS will not be liable for the cost of repairs, alterations or replacements, or for any expense connected therewith made by the owner or his agents, except upon written authority from HAWS, Sparks, Nevada. HAWS will not be liable for any damages caused by defective materials or poor workmanship, except for replacements, as provided above. Buyer agrees that Haws has made no other warranties either expressed or implied in addition to those above stated, except that of title with respect to any of the products or equipment sold hereunder and that HAWS shall not be liable for general, special, or consequential damages claimed to arise under the contract of sale.

The emergency equipment manufactured by HAWS is warranted to function if installation and maintenance instructions provided are adhered to. The units also must be used for the purpose for which they were intended. This product is intended to supplement first-aid treatment. Due to widely varying conditions, Haws cannot guarantee that the use of this emergency equipment will prevent serious injury or the aggravation of existing or prior injuries.

**NO OTHER WARRANTIES EXPRESSED OR IMPLIED ARE AUTHORIZED,
PROVIDED OR GIVEN BY HAWS.**

**SHOULD YOU EXPERIENCE DIFFICULTY WITH THE INSTALLATION OF THIS
MODEL, PLEASE CALL:**

TECHNICAL SUPPORT: 1-800-766-5612

FOR CUSTOMER SERVICE: 1-888-640-4297

LOCATION OF UNIT: The Model 8606SS Emergency Shower & Eye/Face Wash Booth should be installed in close proximity to potential accident areas. It should be clearly identified free from obstructions and easy to access.

SUPPLY LINE: The minimum recommended line size is 1" IPS with 30-90 psi (2-6 ATM) flowing pressure. Where sediment or mineral content is a problem, an inlet filter is recommended.

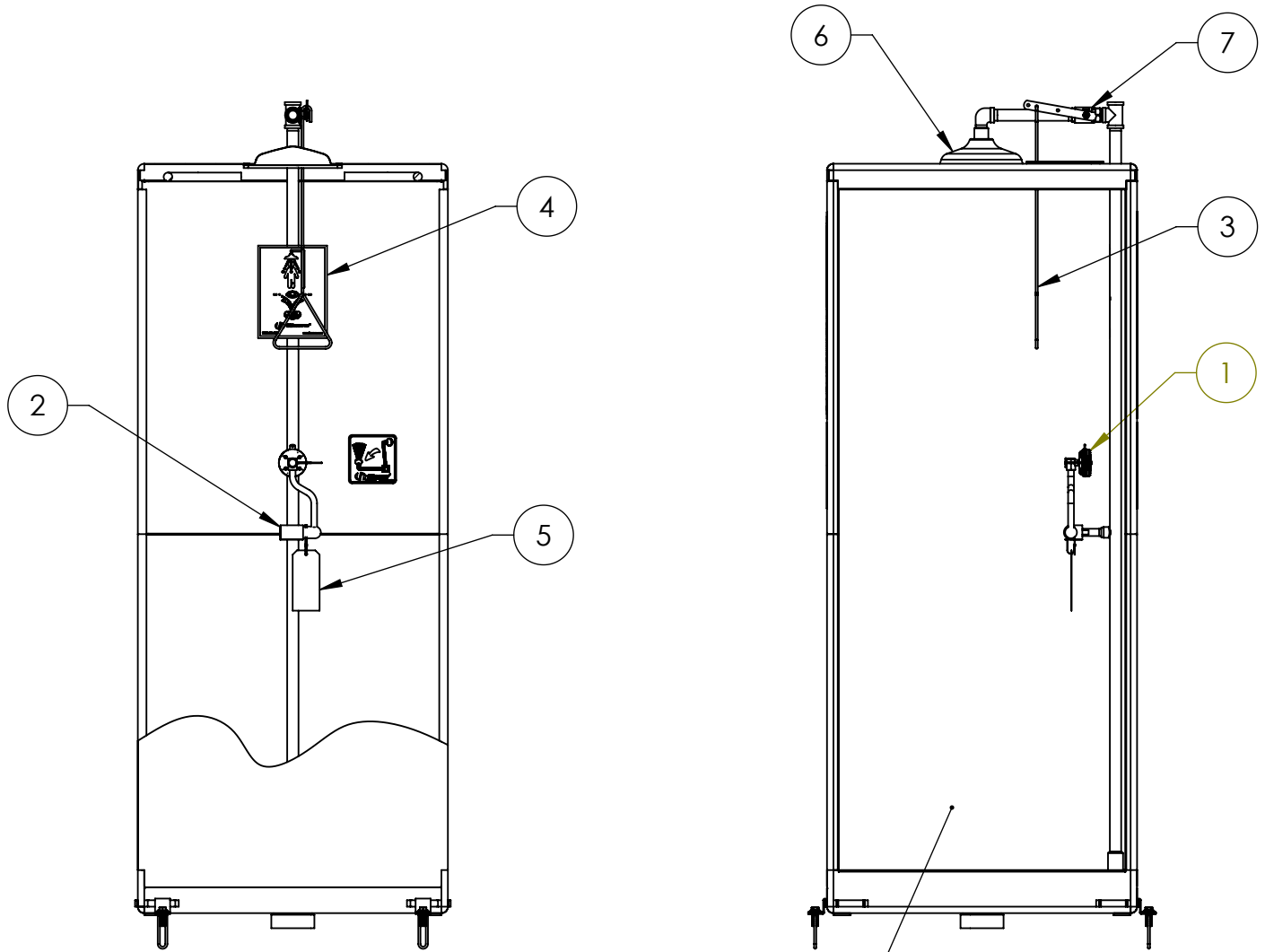
PLUMBING CONNECTIONS: Inlet supply is female 1" NPT. Waste outlet is 4" NPT (F).

TROUBLESHOOTING	
PROBLEM	REPAIR CHECKLIST
1. No flow.	1. Check the main shut-off valve.
2. Insufficient water flow.	2. Verify minimum 30psi (2 ATM) flowing supply line pressure.
3. Insufficient water flow on eyewash, however, shower is sufficient.	3. Probable clogging of flow control due to inadequate line flushing. Unscrew eye/face wash head and remove the four screws to disassemble the head. Clean flow control and reassemble head. See SP65 Installation Drawing for details.
4. Insufficient water flow at the showerhead, however, eyewash is sufficient.	4. Probable clogging of flow control inside showerhead. Unscrew showerhead off of elbow and clean rubber flow control.
5. Eyewash stream does not meet desired eye level.	5. Possible blocked flow control, see above solution. Possible non-leveled eyewash assembly.
6. Water does not drain properly.	6. Check the main waste line of your building to see if it does handle the capacity required for the entire drainage system.


For more information on Haws products, see our website: www.hawesco.com

THIS DOCUMENT IS TRUE AND CORRECT AT TIME OF PUBLICATION. CONTINUED PRODUCT IMPROVEMENTS MAKE SPECIFICATIONS AND MEASUREMENTS SUBJECT TO CHANGE WITHOUT NOTICE.

ITEM	DESCRIPTION	PART NO.
1	EYE/FACE WASH ASSEMBLY	SP65SS
2	VALVE REPAIR KIT	VRK 7650
3	PULL ROD	SP202
4	SHOWER/EYEWASH SIGN	SP178
5	TEST TAG	SP170
6	SHOWER HEAD	SP829SS
7	SHOWER VALVE ASSEMBLY	0006581890
8	SHOWER CURTAIN	0510002178



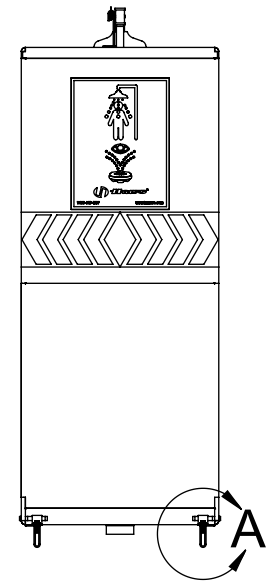
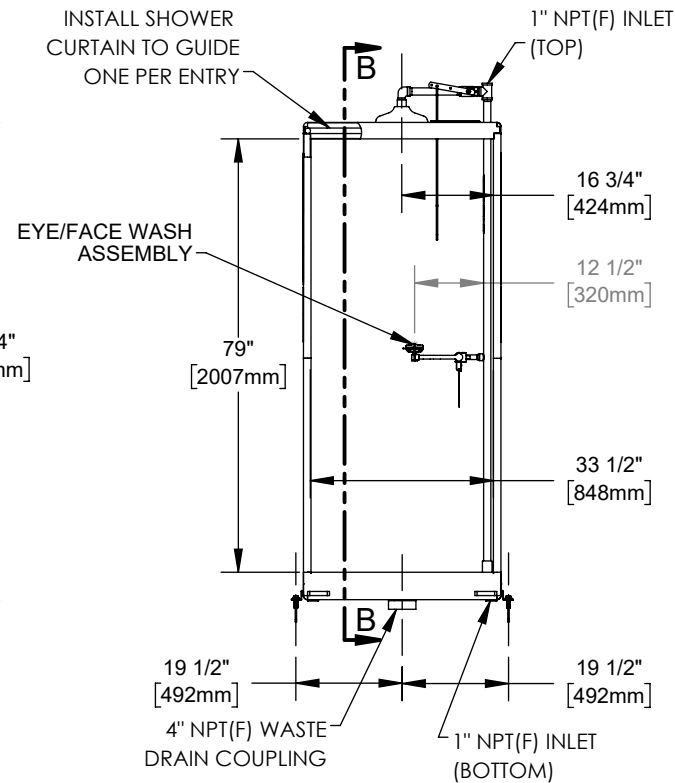
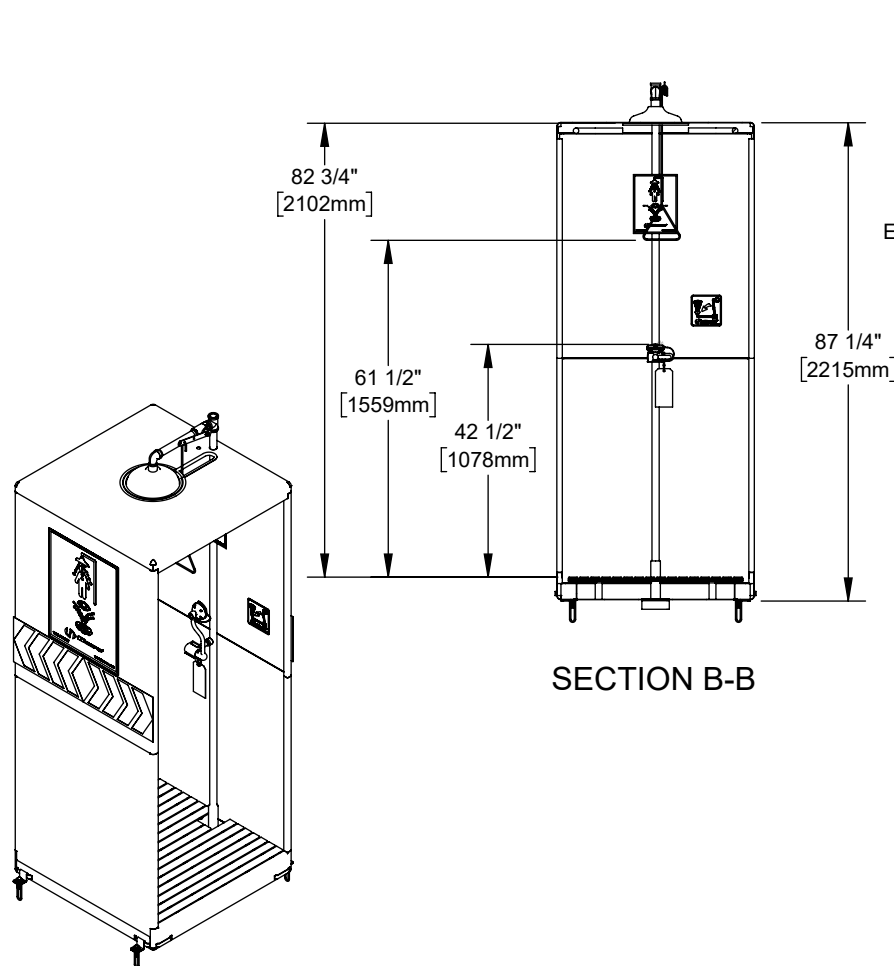
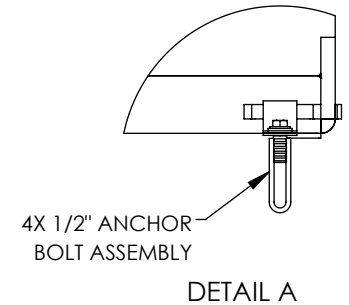
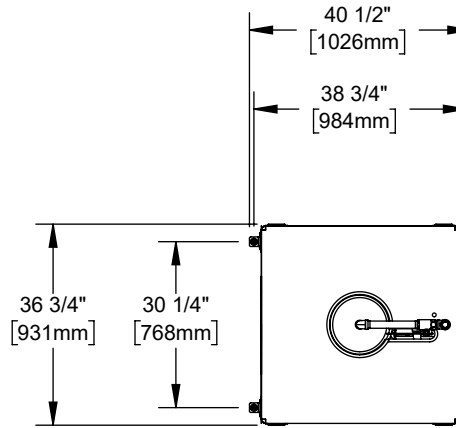
CURTAIN, ITEM 8
(NOT SHOWN FOR CLARITY)

 Haws Since 1906			1455 KLEPPE LANE SPARKS, NEVADA 89431 (775) 359-4712 FAX (775) 359-7424 E-MAIL: HAWS@HAWS.CO.COM WEBSITE: WWW.HAWS.CO.COM		
			ECN: 5940	REV. ECN: 5940	BY: IR
DRAWN: IR	DATE: 07/11/23	CHKD: SLS	8606SS DUAL ENTRY SST BOOTH	0580002176	
APPROVED: IR	DATE: 07/13/23		SCALE: 1:50	REVISION	
			DRAWING TYPE: PARTS BREAKDOWN	1	
			SIZE: A	SHEET 1 OF 1	

WHEN ORDERING PARTS, PLEASE SPECIFY PART NUMBER

NOTES:

1. WHEN INSTALLING THIS UNIT, LOCAL, STATE, OR FEDERAL CODES SHOULD BE ADHERED TO FOR INSTALLATIONS (LOCATIONS), WASTE AND SUPPLY REQUIREMENTS OTHER THAN SHOWN.
2. KEEP BOTH ENTRY WAYS AND INSIDE OF BOOTH CLEAR OF OBSTRUCTIONS.
3. DIMENSION MAY VARY $\pm 1/2"$.



Haws[®]
Since 1906

1455 KLEPPE LANE
SPARKS, NEVADA 89431
(775) 359-4712 FAX (775) 359-7424
E-MAIL: HAWS@HAWSO.COM
WEBSITE: WWW.HAWSO.COM

ECN: 5940	REV. ECN: 5940	BY: IR	MODEL(S)	PART NUMBER
DRAWN: IR	DATE: 07/11/23	CHKD: SLS	8606SS DUAL ENTRY SST BOOTH	0580002176.D
APPROVED: IR	DATE: 07/19/23			REVISION
			SCALE: 1:50	DRAWING TYPE: INSTALLATION
			SIZE: A	SHEET 1 OF 1