



# Haws®

# model 3511

ADA Outdoor Vandal-Resistant Aluminum Antique Style Pedestal Fountain

## FEATURES & BENEFITS

### CONSTRUCTION

Heavy-duty cast aluminum construction supports this elegant old-  
charm fountain, and it is finished with midnight black powder-coat  
paint.

### BARRIER FREE

Barrier-free capabilities combined with its ease of use allows for a  
number of installation location possibilities.

### BUBBLER HEAD

Polished chrome-plated brass bubbler head with integral laminar flow  
prevents splashing while providing a superior flow pattern. The  
integral 11/16" dia. basin shank and stainless anti-rotation roll pin for  
vandal resistance strength. Shielded, angled stream opening provides  
a steady source of drinking water at .45 gpm.

### DRINKING FOUNTAIN VALVE

The push-button activated valve offers the only all stainless steel  
valve body that is machined out of solid bar stock, is fully serviceable  
through the front of the push button assembly offering access to the  
water control cartridge and integral water supply strainer, and with  
front access to the water stream height adjustment for easy  
maintenance without having to remove the valve. Operating pressure  
range of 30 to 90 psi (2.1 to 6.2 bar).

### VANDAL RESISTANT

The bubbler heads, push buttons, drain strainers and access plates  
are locked in place, discouraging unwanted vandal tampering.



## SPECIFICATIONS

Model 3511 ADA antique style vandal-resistant pedestal drinking  
fountain shall include a heavy duty cast aluminum pedestal with a black  
powder-coated finish, dual 18 gauge Type 304 Stainless Steel satin finish  
basins with integral swirl design, 100% lead-free waterways, vandal-  
resistant push-button operated stainless steel valves with front-  
accessible cartridge and flow adjustment, polished chrome-plated brass  
vandal-resistant bubbler heads, chrome-plated brass vandal-resistant  
waste strainer, integral mounting plate, and 1-1/2" O.D. tailpiece.

## OPTIONS

- Sand Trap: Model 6611, sand trap for installing adjacent to pedestal  
drinking fountains to help prevent debris and contaminants from  
clogging waste line.
- Sand Trap: Model 6635, in-pedestal sand trap for models 3500,  
3511 and 3600 series fountains.
- Faucet Valve: Model 6250LF, self-closing, plain end, lead-free,  
brass bib faucet with polished chrome-plated finish. (for 3511, use  
0004521763 also)

For more information, visit [www.hawsc.com](http://www.hawsc.com) or call (888) 640-4297.

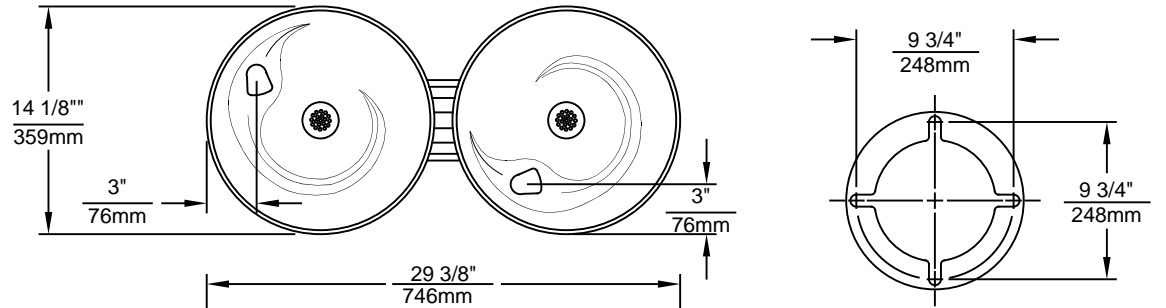
## APPLICATIONS

Indoor or outdoor architectural settings where an "old town" ambiance is  
present, the 3511 fits perfectly. Historic styled fountain with "up to date"  
components that provide performance really bring a traditional feel to  
any area that is historically designed. Powder-coated finish helps  
maintain the fountains overall appeal so it remains looking as it did when  
it was newly installed. This type of pedestal drinking fountain may also be  
placed in a variety of settings such as: parks, schools, and other outdoor  
environments where the temperature remains above freezing. Model  
meets all current Federal Regulations for the disabled including those in  
the Americans with Disabilities Act. Haws manufactures drinking  
fountains, faucets and electric water coolers to be lead-free by all known  
definitions including NSF/ANSI/CAN 61-Section 9, NSF/ANSI/ CAN 372,  
California Proposition 65, and the Federal Safe Drinking Water Act.  
Product is compliant to California Health and Safety Code 116875 (AB  
1953-2006), and NSF/ANSI/CAN 61: Q ≤ 1.

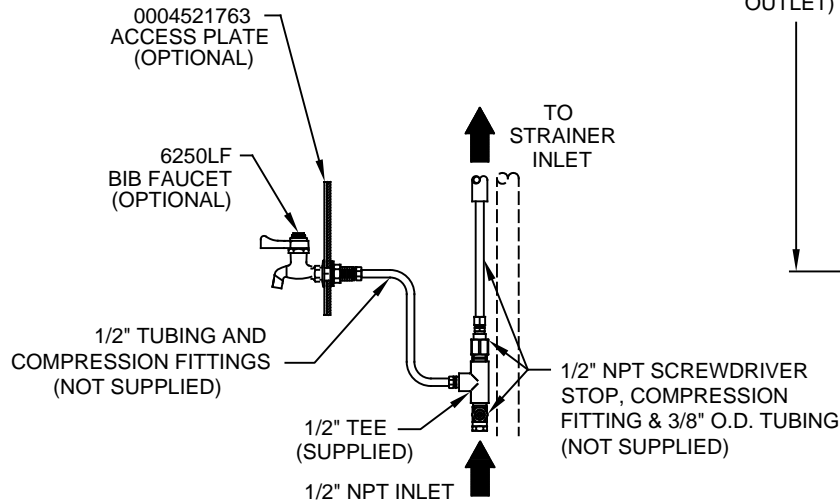
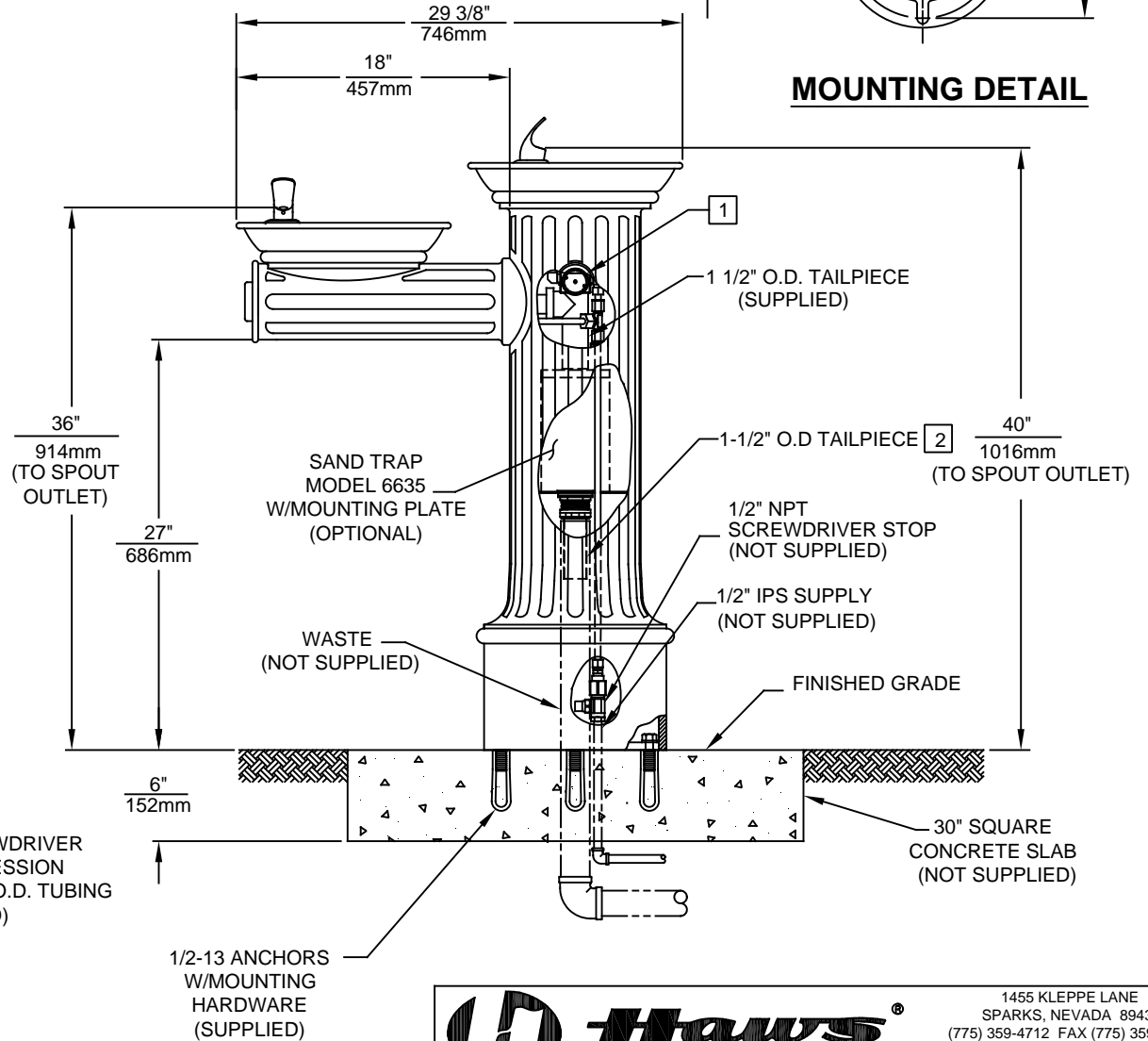


NOTES:

1. REFER TO 5874 SERIES OPERATION AND MAINTENANCE MANUAL FOR PUSH BUTTON AND VALVE INSTALLATION/MAINTENANCE INSTRUCTIONS.
2. OPTIONAL SAND TRAP MODEL 6635 W/ MOUNTING PLATE AND 1-1/2" O.D. TAILPIECE. SEE MODEL 6635 FOR ADDITIONAL INSTALLATION INSTRUCTIONS.



**MOUNTING DETAIL**



**BIB FAUCET DETAIL**

1455 KLEPPE LANE  
SPARKS, NEVADA 89431  
(775) 359-4712 FAX (775) 359-7424  
E-MAIL: HAWS@HAWSO.COM  
WEBSITE: WWW.HAWSO.COM

ECN NO. REVISED PER BY:		MODEL(S)		PART NUMBER	
ECN: 5438 FV		3511		0002074001.D	
DRAWN:	DATE:	CHKD.:	REVISION		
P.M.	05-30-00	DP	18		
APPROVED:	DATE:	SCALE:	DRAWING TYPE:	INSTALLATION	SHEET 1 OF 1
IR	12/09/19	1:8	INSTALLATION		