



model **5705**
Bubbler Head

FEATURES & BENEFITS

OPTIONS

For more information, visit www.hawesco.com or call (888) 640-4297.



SPECIFICATIONS

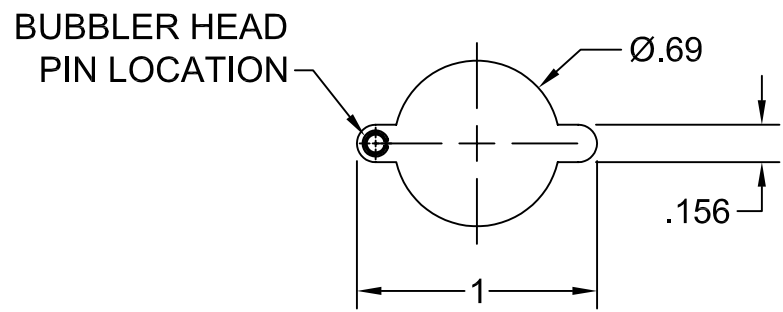
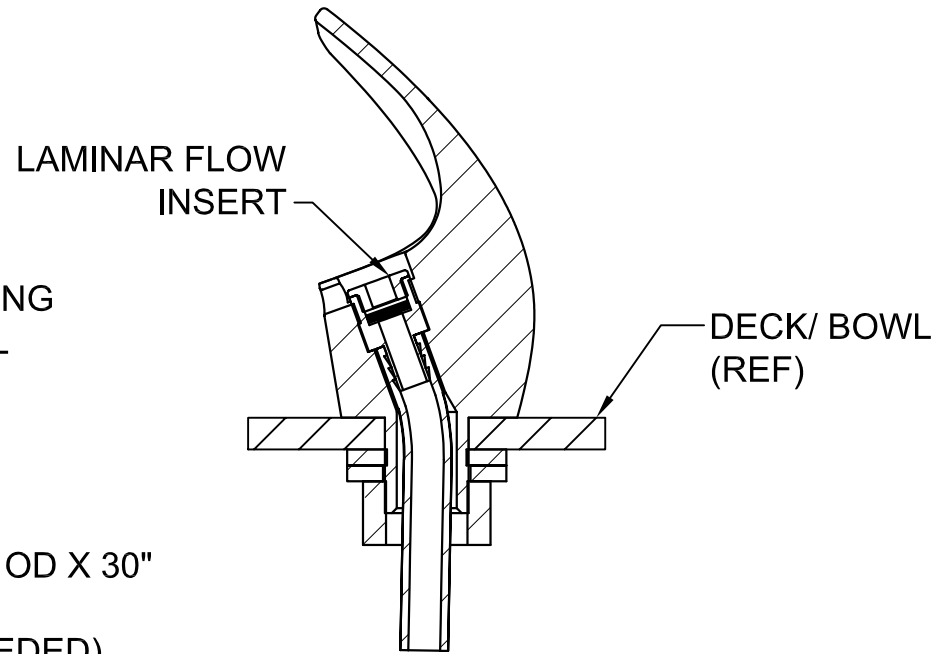
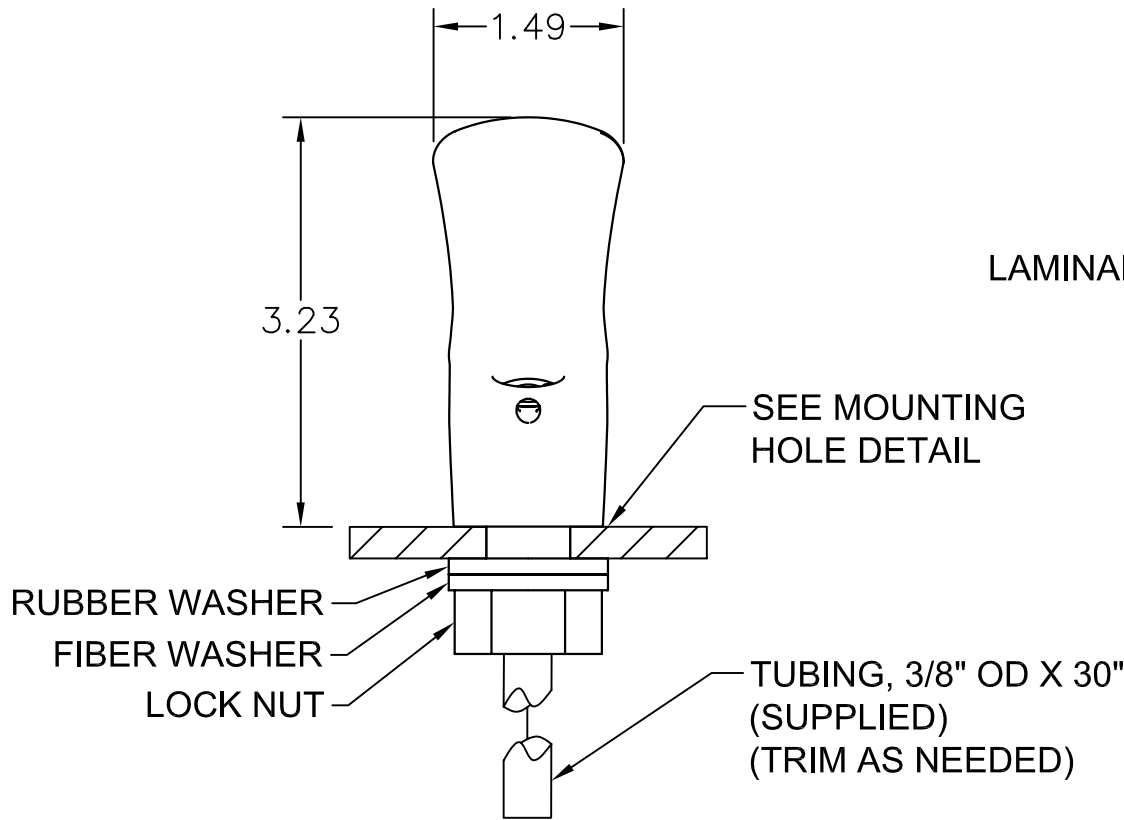
Model 5705 is a polished chrome-plated brass drinking fountain bubbler with 100% lead-free water ways, integral laminar flow, shielded anti-squirt angled stream, mounting hardware with integral lock pin, and 3/8" compression inlet.

APPLICATIONS

Easily adapted to many situations involving the use of drinking water. Specifically, this type of bubbler head is used as a replacement head for many Haws fountains, or may be placed in such settings as: schools, campgrounds, laboratories, classrooms, parks, and other areas where the need for a bubbler head is needed to dispense water. Haws manufactures drinking fountains and electric water coolers to be lead-free by all known definitions including NSF/ANSI Standard 61, Section 9, NSF/ANSI 372, California Proposition 65, and the Federal Safe Drinking Water Act.

NOTES:

1. BUBBLER HEAD AND INSERT ARE SIZED TO FLOW AT .4 GALLONS PER MINUTE.



MOUNTING HOLE DETAIL

			1455 KLEPPE LANE SPARKS, NEVADA 89431 (775) 359-4712 FAX (755) 359-7424 E-MAIL: HAWS@HAWSO.COM WEBSITE: WWW.HAWSO.COM		
ECN NO.:	REVISED PER:	BY:	MODEL(S)	PART NUMBER	
	ECN: 4443	BW	5705	0002077531	
DRAWN:	DATE:	CHKD.:	BUBBLER HEAD ASSEMBLY		DRAWING NO.
JF	12/02				14375C00
APPROVED:	DATE:		SCALE: 1:1	DRAWING TYPE: INSTALLATION	SIZE: A SHEET 1 OF 1
					REV 3