



model **6606**
Access Panel

FEATURES & BENEFITS

OPTIONS

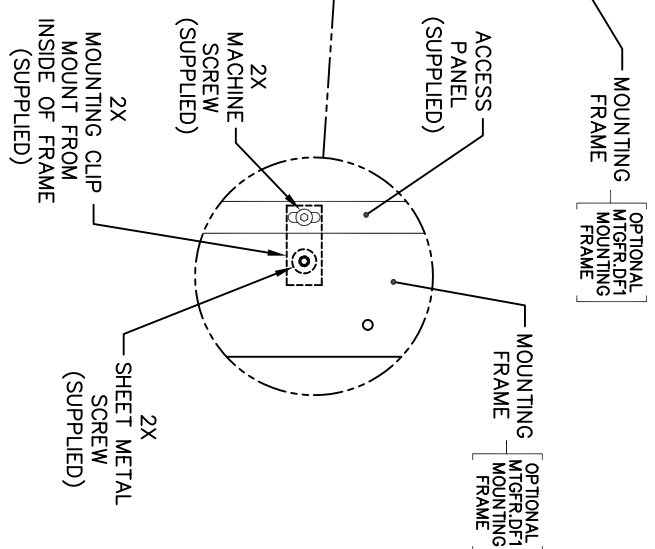
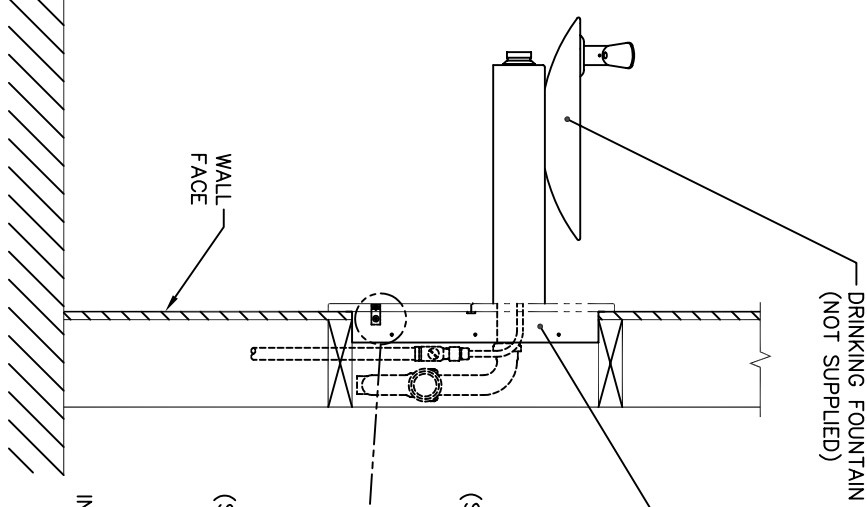
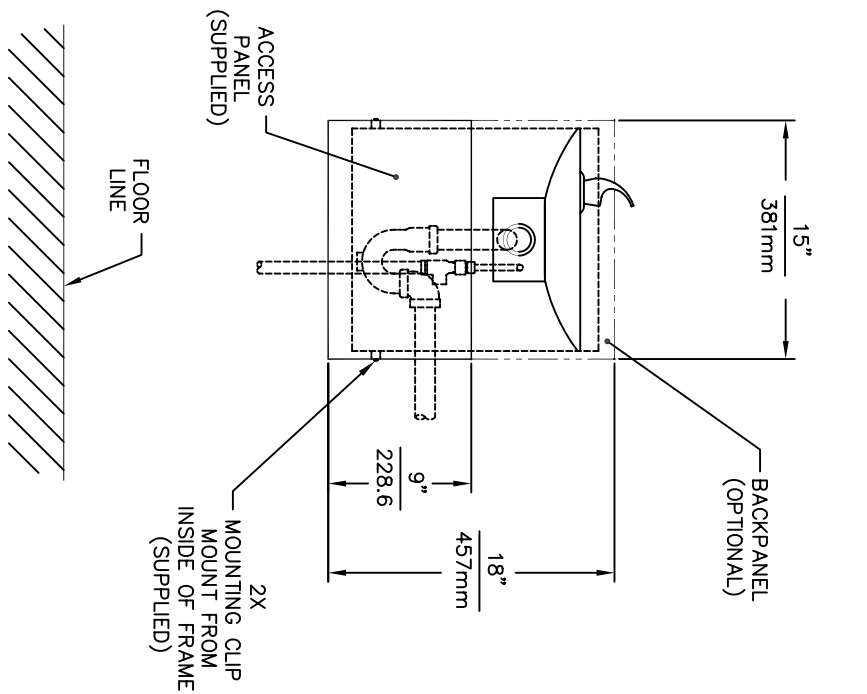
For more information, visit www.hawesco.com or call (888) 640-4297.



SPECIFICATIONS

Model 6606 is a 15" x 9" (38.1 x 22.9 cm) access panel designed to facilitate maintenance by allowing easier access to plumbing behind the wall. It is made of stainless steel with a satin finish, and is made to facilitate maintenance by allowing easier access to plumbing behind the wall. Must be used with MS mounting system option.

APPLICATIONS



Hawes Corporation

1455 Kluge Ln, Sparks, NV, 89431-7104
 Phone: 775/343-4000
 1401 Burdett, Switzerland
 Home Mfg Pte Ltd 74 Sungai Kodat, Loop Singapore 729531
 e-mail: Hawes@hwsco.com website: www.hwsco.com

INFO FAX : 1-888-FAX-HAWES (1-888-329-4297)

DATE	REV	DESCRIPTION
06/97	1	INITIAL RELEASE
06/97	2	REVISION 1
06/97	3	REVISION 2

MODEL: 6605/6606/6608RPS
 TITLE: ACCESS PANEL
 PART NUMBER: 13122C00
 SCALE: 1:1