

## FEATURES & BENEFITS

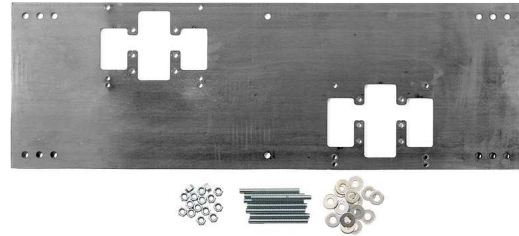
### MOUNTING

Heavy duty 3/16" (.47 cm) steel pre-drilled and threaded in-wall mounting plate along with all-thread studs and hardware

### OPTIONS

- Support Frame: Model 6800 In-wall floor mounted fixture support legs, welded steel 4-bolt floor flanges, and supplied with 'U' bolts and hardware.

For more information, visit [www.hawesco.com](http://www.hawesco.com) or call (888) 640-4297.

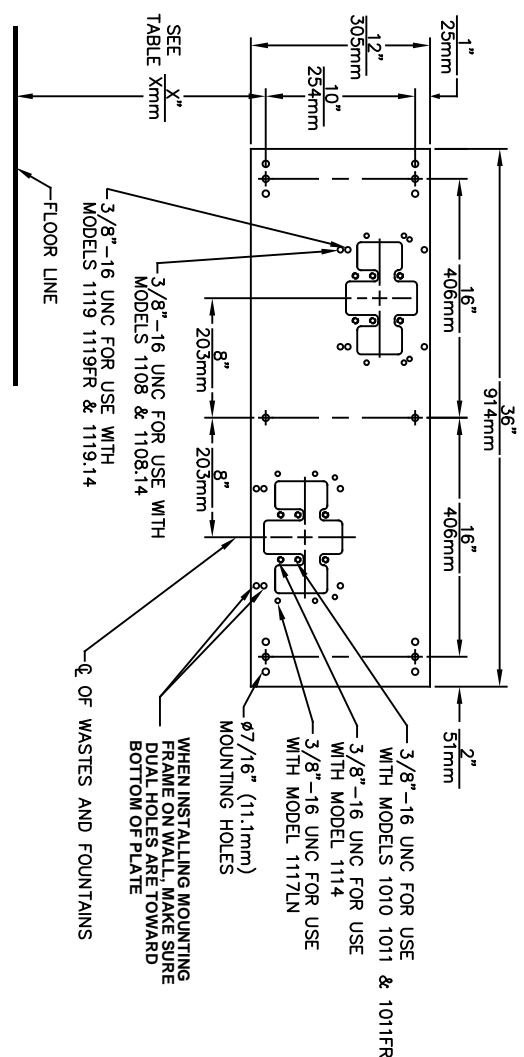


## SPECIFICATIONS

Model 6700.4 'Hi-Lo' in-wall 3/16" thick steel pre-drilled mounting plate is larger, thicker and stronger than any other plate in the industry, and shall include the all-thread studs, nuts, and washers. For use with many Haws dual bubbler fountains.

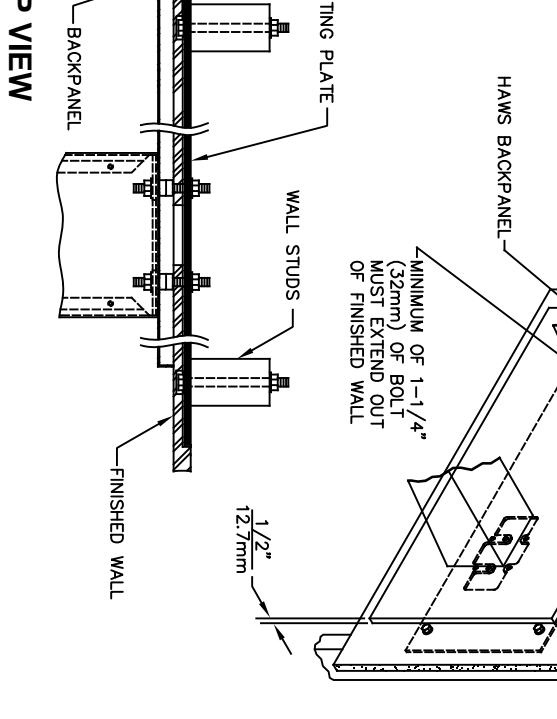
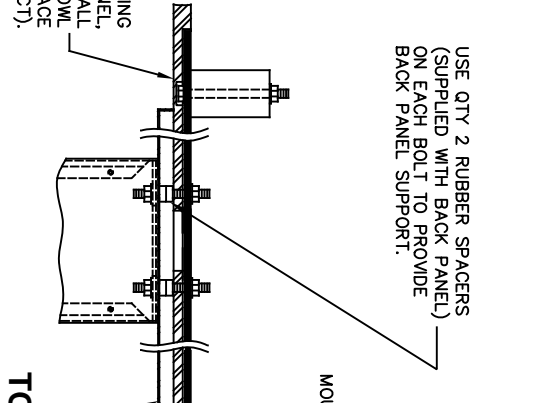
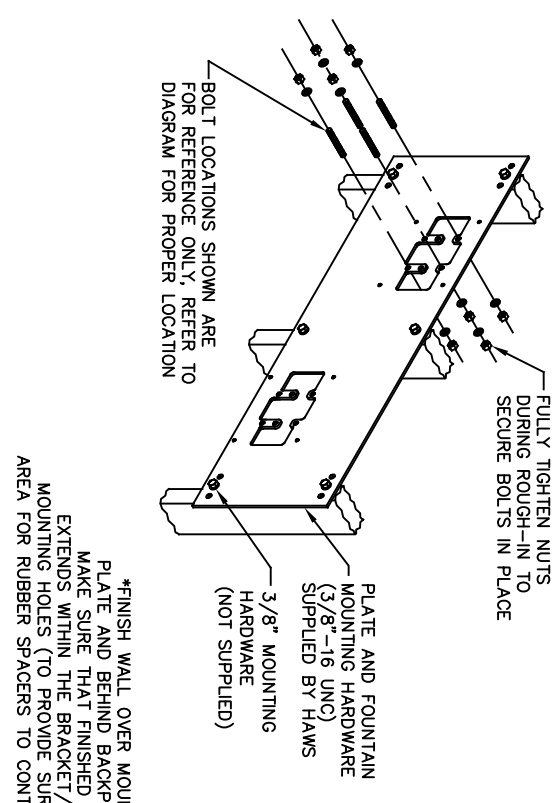
## APPLICATIONS

Haws produces mounting plates and frames to assist in the installation process as well as to provide solid bases for the wall mounted designed fountains. Mounting plates and frames meet the requirements solely for the specified applicable fountains and are not designed to be used in the installation of any unspecified fountain.



DIMENSION	1011	MODEL
"X"	25-1/2" [648mm]	
LOWER SUPPLY	28-3/4" [730mm]	
LOWER WASTE	27-7/8" [708mm]	
UPPER SUPPLY	33-3/4" [857mm]	
UPPER WASTE	32-7/8" [835mm]	
DIMENSION	1119	MODEL
"X"	27-5/8" [702mm]	1119, 1119.14
LOWER SUPPLY	29-5/8" [752mm]	
LOWER WASTE	30-3/4" [781mm]	
UPPER SUPPLY	35-3/8" [905mm]	
UPPER WASTE	36-1/2" [927mm]	
DIMENSION	1011FR	MODEL
"X"	25-1/2" [648mm]	1119FR
SUPPLY WASTE	SEE FREEZE VALVE ROUGH-IN	SEE FREEZE VALVE ROUGH-IN

DIMENSION	1117LN	MODEL
"X"	27" [686mm]	
LOWER SUPPLY	29-1/2" [749mm]	
LOWER WASTE	29-1/4" [743mm]	
UPPER SUPPLY	35-1/2" [902mm]	
UPPER WASTE	35-1/4" [895mm]	



**CAUTION**

REGARDING CONCRETE/MASONRY WALL MOUNTING-DO NOT SECURE MOUNTING PLATE TO SAME SIDE OF WALL AS FOUNTAIN. AVOID COMPROMISING INTEGRITY OF WALL WHEN ANCHORING FOUNTAIN. IT IS RECOMMENDED THAT INSTALLER CALL TECHNICAL SUPPORT IF THERE ARE ANY QUESTIONS AS TO HOW TO OBTAIN A PROPER ANCHOR IN CONCRETE/MASONRY WALLS. 1-800-766-5612

**TOP VIEW**

1456 KLEPPE LANE  
SPARKS, NEVADA 89431  
(775) 359-4712 FAX (775) 359-7424  
E-MAIL: HAWS@HAWS.COM  
WEBSITE: WWW.HAWS.COM

ECN NO. REVISED PER BY: MODEL(S)  
ECN: 5526 FV  
DRAWN: DATE: CHK'D: DP  
CCL: 04/29/93  
APPROVED: DATE: 04/13/20  
SCALE: N/A DRAWING TYPE: INSTALLATION  
SIZE: A SHEET: 1 OF 1

6700.4  
PART NUMBER: 0002080023  
REVISION: 18