

## FEATURES & BENEFITS

### READY TO USE

No need to punch holes - a choice of panel kits provide the specific layout needed for each of the available Haws thermostatic mixing valves.

## OPTIONS

- ❑ Panel Kit: Model PK01H panel kit used for Haws 9201H mixing valve.
- ❑ Panel Kit: Model PKSHE panel kit used for Haws TWBS.SHE mixing valve
- ❑ Panel Kit: Model PK02E panel kit used for Haws 9202E mixing valve
- ❑ Panel Kit: Model PK01E panel kit used for Haws 9201E mixing valve.

For more information, visit [www.hawsco.com](http://www.hawsco.com) or call (888) 640-4297.



## SPECIFICATIONS

Model 9200REC recessed cabinet is manufactured of 18 gauge Type 304 Stainless Steel, locking door which is supplied with a heavy duty stainless steel piano hinge, and removable upper and lower panels to accommodate any of the Haws Thermostatic Mixing Valves. ....

.....  
PLEASE LOOK UNDER OPTIONS TO MATCH PANEL KIT TO VALVE ORDERED

## APPLICATIONS

Perfect for those installations where an emergency mixing valve needs to be enclosed and/or protected. Specifically, this cabinet is designed to work in concert with the complete line of Haws Thermostatic Mixing Valves.

**9200REC CABINET INSTALLATION**

- 1 SUGGESTED ORIENTATION: CABINET PANEL OPENINGS AND VALVE PORTS ALIGNED VERTICALLY WITH DOOR LOCK POSITIONED ON RIGHT SIDE.
- 2 9202E VALVE SHOWN AS EXAMPLE ONLY. VALVE USED DETERMINES PANEL KIT SELECTION. SEE PANEL KIT / VALVE TABLE TO MATCH PANELS TO VALVE.
- 3 "A" DIMENSION = SUGGESTED CLEARANCE TO ALLOW ACCESS TO TEMPERATURE ADJUSTMENT SCREW. SEE PANEL KIT / VALVE TABLE FOR DIMENSIONING.
- 4 TOP & BOTTOM PANELS SHOWN AS EXAMPLE ONLY. MATCH PANELS TO PORTS ON VALVES. FOR ORIENTATION OF VALVES AND ALIGNMENT OF PANELS. GO TO WWW.HAWSCO.COM AND SEE THE INSTALLATION, OPERATION & MAINTENANCE INSTRUCTIONS FOR EACH VALVE. FOR TECHNICAL SUPPORT, CALL 1-800-766-5612.
- 5 DIMENSIONS SHOWN REPRESENT ACTUAL CABINET SIZE; ALLOW ADDITIONAL 1/4" MAX FOR WALL CUT-OUT.
- 6 MOUNT CABINET TO STUDS/FRAME FROM INSIDE OF CABINET. (MOUNTING HARDWARE NOT SUPPLIED.)
- 7 "B" AND "C" DIMENSIONS = DISTANCE FROM WALL SURFACE TO CENTER OF CLOSEST VALVE PORT AND PANEL CLEARANCE HOLE.

PANEL KIT / VALVE TABLE				
VALVE USED	PANEL KIT USED	"A" DIM. ±1/2"	"B" DIM. ±1/8"	"C" DIM. ±1/8"
TWBS.HF	PKHF	3 1/2"	4 3/8"	NA
TWBS.SHE	PKSHE	4"	3 5/8"	NA
TWBS.EWE	PKEWE	4"	3 5/8"	NA
9201E	PK01E	4"	3 5/8"	3 5/8"
9201EFE	PK01EFE	4"	3 5/8"	NA
9201H	PK01H	4"	2 7/8"	NA
9202E	PK02E	4"	3 5/8"	3 5/8"

2

2

3

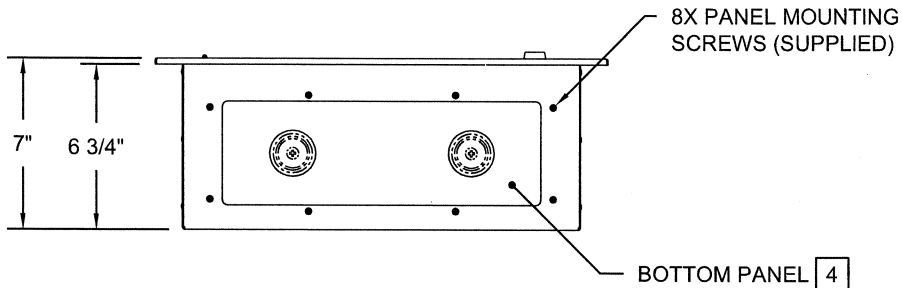
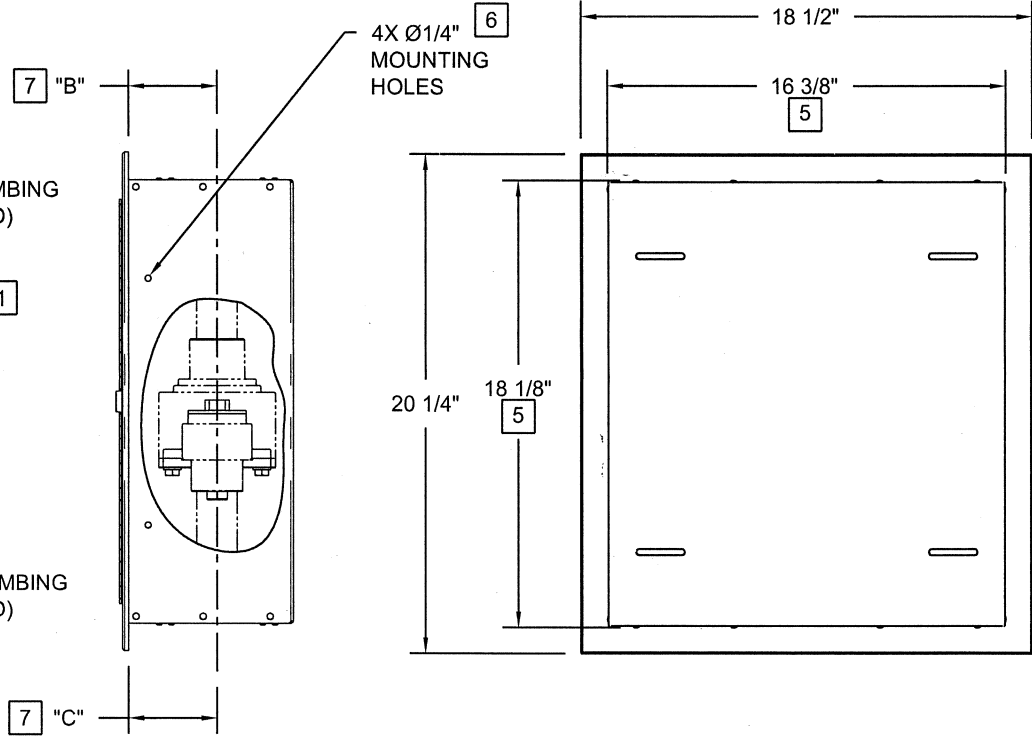
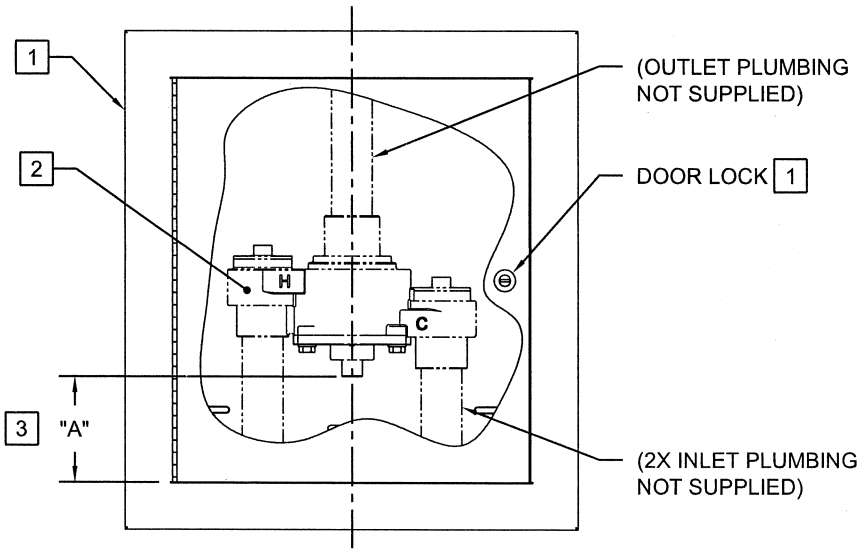
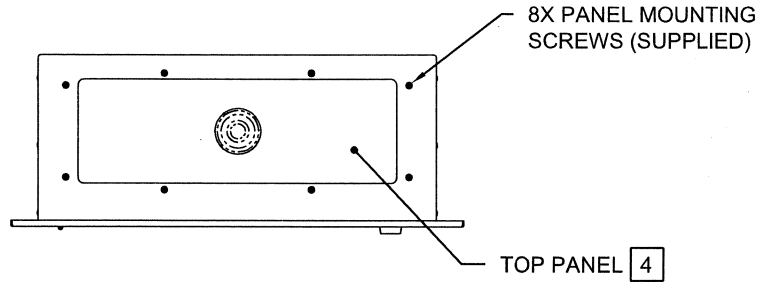
6

6



1455 KLEPPE LANE  
SPARKS, NEVADA 89431  
(775) 359-4712 FAX (755) 359-7424  
E-MAIL: HAWS@HAWSCO.COM  
WEBSITE: WWW.HAWSCO.COM

ECN NO. 4722	REVISED PER BY:	MODEL(S)	PART NUMBER
DRAWN: VWC	DATE: 7/23/11	CHKD: [Signature]	0002076110
APPROVED: [Signature]	DATE: [Signature]	9200REC CABINET, RECESS-MOUNT	DRAWING NO. 16160A
SCALE: 1/8		DRAWING TYPE: INSTALLATION	REV 1
SIZE: A			SHEET 1 OF 2



		1455 KLEPPE LANE SPARKS, NEVADA 89431 (775) 359-4712 FAX (755) 359-7424 E-MAIL: HAWS@HAWSCO.COM WEBSITE: WWW.HAWSCO.COM	
ECN NO. 4722	REVISED PER BY: ECN:	MODEL(S)	PART NUMBER
DRAWN: VWC	DATE: 12/3/11	9200REC	0002076110
APPROVED: [Signature]	DATE: 1/11	CABINET, RECESS-MOUNT	DRAWING NO. 16160A
SCALE: 1/8		DRAWING TYPE: INSTALLATION	SIZE: A SHEET 2 OF 2