



model HCR8

Remote Drinking Fountain Water chiller

FEATURES & BENEFITS

CONSTRUCTION

Constructed of heavy gauge galvanized steel, its compact style can be concealed under a counter, and between or within walls.

CHILLED WATER

Efficient compact design provides 8 gallons (30.3 L) per hour of 50° F (10° C) cold water to a wide variety of fountains.

OPTIONS

- Shelf: Model H7149MS, mounting shelf for remote chillers.

For more information, visit www.hawesco.com or call (888) 640-4297.



SPECIFICATIONS

Model HCR8 remote chiller is a hermetically sealed R-134a refrigeration system and is capable of supplying water to a maximum of 2 bubbler stations and is designed to provide 8 gph (30.3 L) of water at 50° F (10° C) +/- 5°. The unit is rated at 115V, 60Hz, and 5 amps. NOTE: For remote installations; locate unit no more than 8ft (2.4m) away from fixtures which it supplies. Chilled water tubing/piping run must be covered with appropriate insulation in order to conserve temperature and avoid condensation.

APPLICATIONS

This remote chiller can provide 8 gallons per hour of 50° F +/- 5° cold water to a wide variety of fountains. Specifically, this type chiller may be used in conjunction with a fountain in settings such as: schools, office buildings, shopping malls, and other indoor environments where there is a demand for a chilled water source. Electric water coolers are not recommended or designed for outdoor applications or enclosed pool areas (chlorine). These conditions may void warranty. Haws manufactures drinking fountains, faucets and electric water coolers to be lead-free by all known definitions including NSF/ANSI/CAN 61-Section 9, NSF/ANSI/ CAN 372, California Proposition 65, and the Federal Safe Drinking Water Act. Product is compliant to California Health and Safety Code 116875 (AB 1953-2006), and NSF/ ANSI/CAN 61: Q ≤ 1. It complies with ASHRAE 18 compliant chilling capacity, and is listed by Underwriter Laboratories to U.S. and Canadian standards.



CALLOUT LEGEND	
A	1/4" OD WATER OUTLET
B	3/8" OD WATER INLET
C	TEMPERATURE CONTROL
D	JUNCTION BOX
E	ELECTRICAL WIRING OPENING

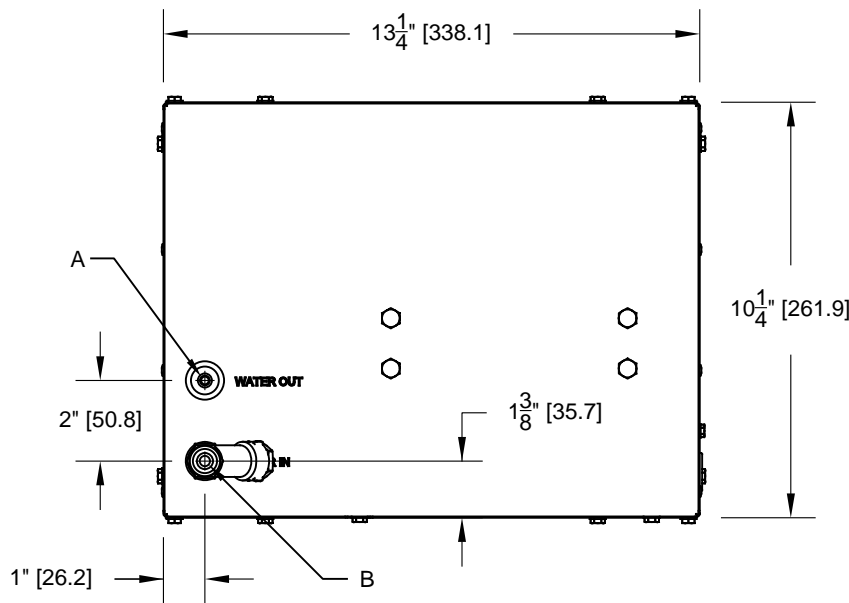


FIG. 2

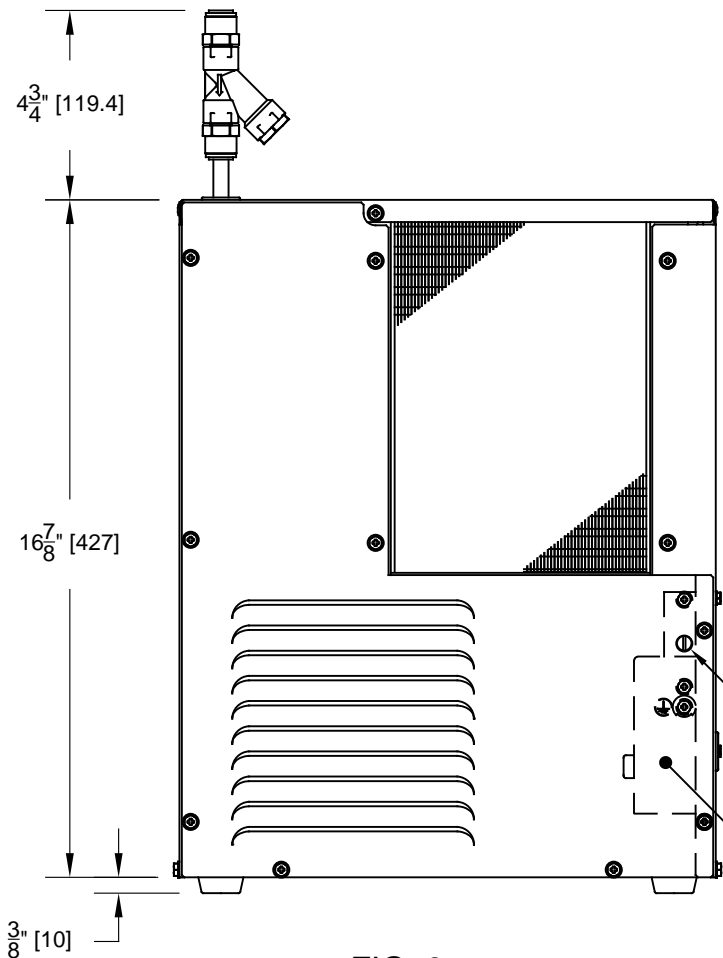


FIG. 3

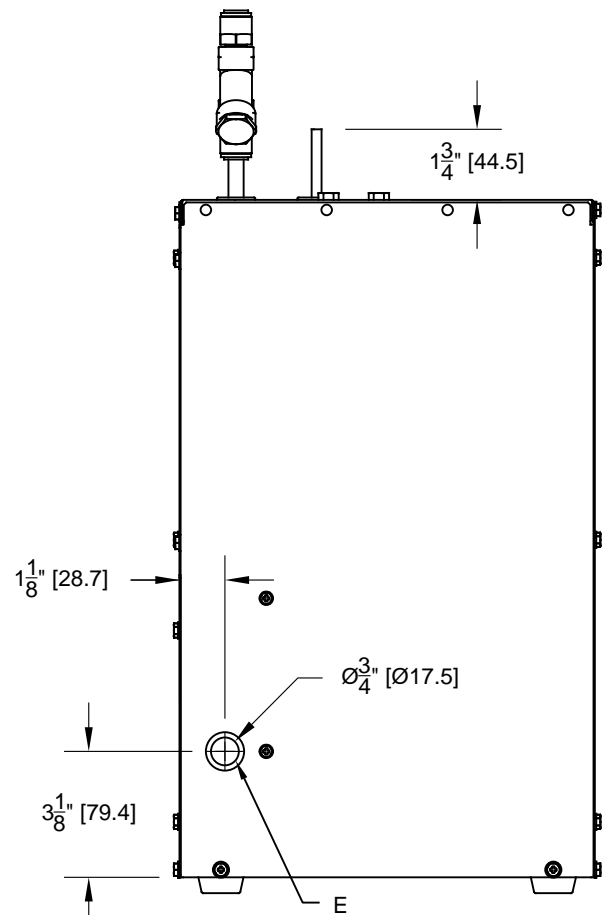


FIG. 4

		Haws [®]		1455 KLEPPE LANE SPARKS, NEVADA 89431 (775) 359-4712 FAX (775) 359-7424 E-MAIL: HAWS@HAWSCO.COM WEBSITE: WWW.HAWSCO.COM	
				ECN NO. 4997 DRAWN VWC APPROVED JL	REVISED PER BY ECN: 5401 DHP DATE 01/25/16 DATE 02/05/19
SCALE: NA		DRAWING TYPE: INSTALLATION		SIZE: A	

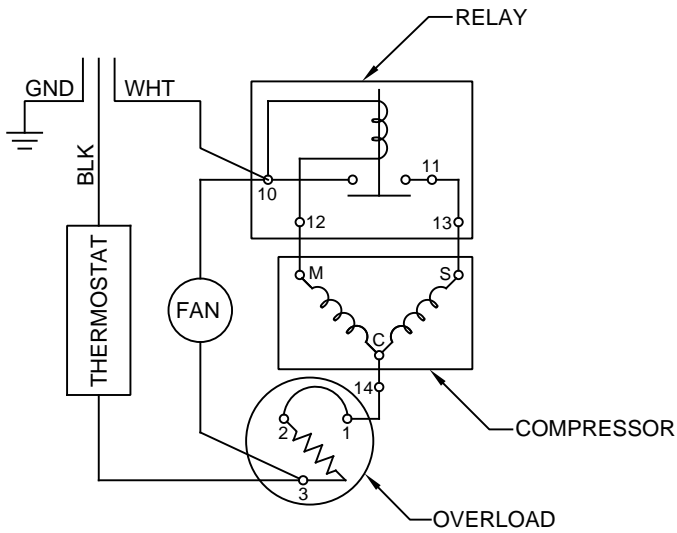


FIG. 5
WIRING DIAGRAM

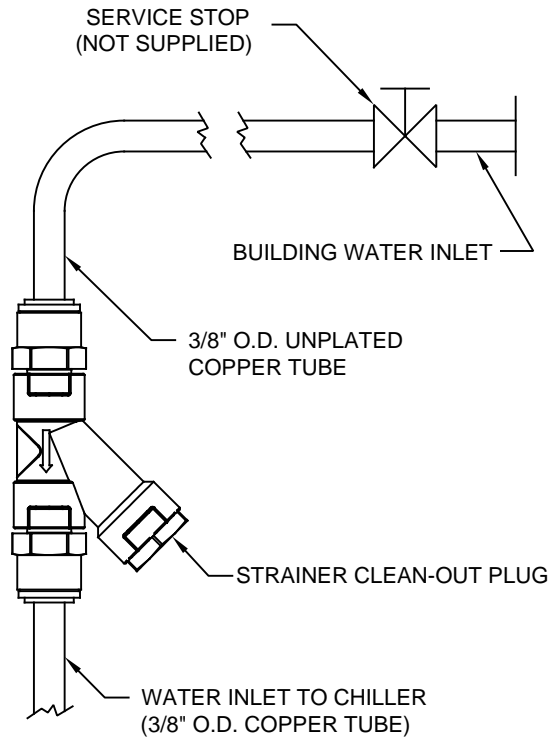


FIG. 6
WATER CONNECTION DIAGRAM

		1455 KLEPPE LANE SPARKS, NEVADA 89431 (775) 359-4712 FAX (775) 359-7424 E-MAIL: HAWS@HAWSCO.COM WEBSITE: WWW.HAWSCO.COM		
		ECN NO. 4997 DRAWN VWC APPROVED JL	REVISED PER DATE 01/25/16 BY DHP CHKD DHP	MODEL(S) HCR8 REMOTE CHILLER
DATE 02/05/19		SCALE: NA	DRAWING TYPE: INSTALLATION	SIZE: A SHEET 2 OF 2