



model SP220SS

Foot Treadle

FEATURES & BENEFITS

OPTIONS

For more information, visit www.hawsc.com or call (888) 640-4297.



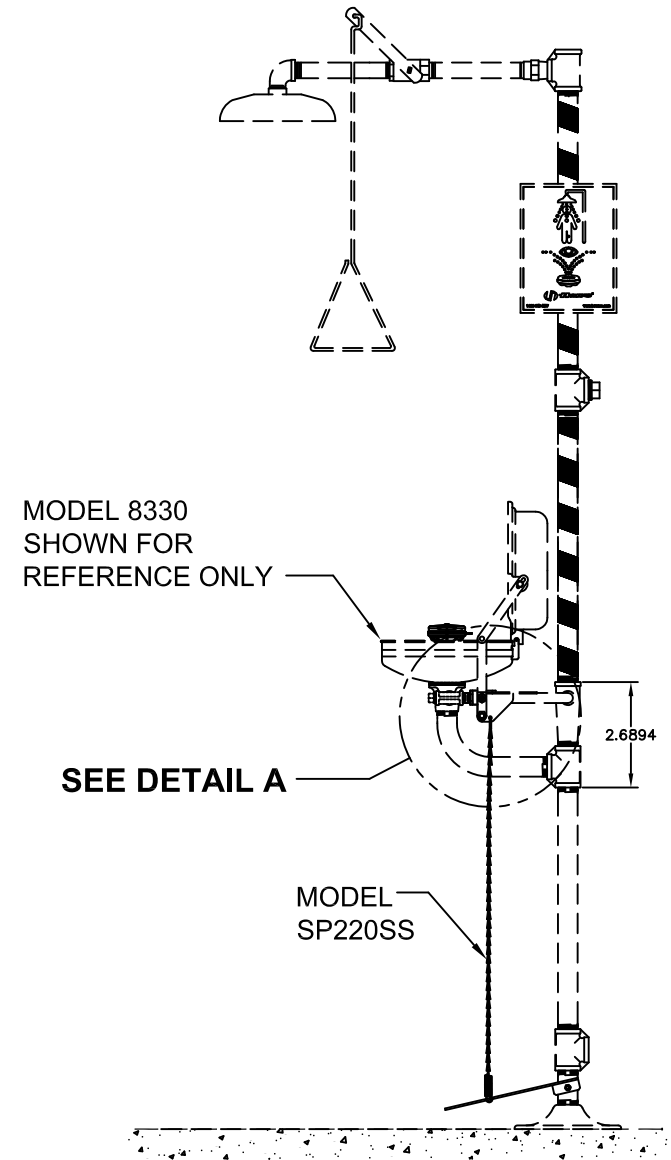
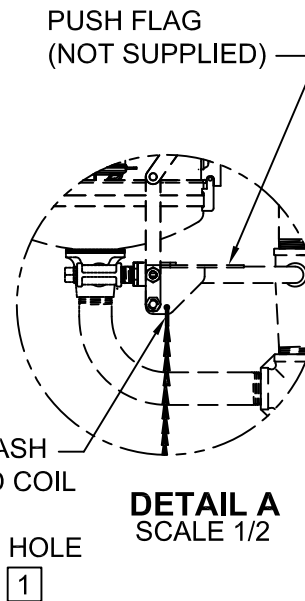
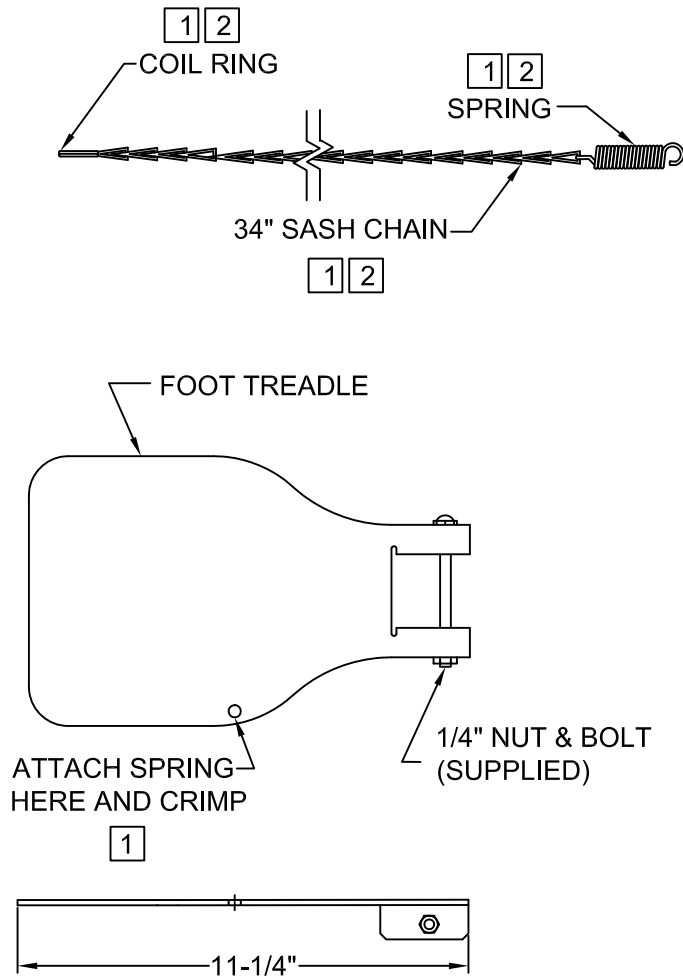
SPECIFICATIONS

Model SP220SS is a complete stainless steel foot control assembly, including chain, clamp, nut, ring, screw, spring and treadle. For use on pedestal and combination units.

APPLICATIONS

NOTES:

- 1 HOOK SPRING THROUGH ROUND OPENING OF TREADLE FROM TOP AND CRIMP SECURING IT TO THE TREADLE. AFTER ASSEMBLING FOOT TREADLE TO EYEWASH PEDESTAL, ATTACH COIL RING TO EXISTING PUSH FLAG THEN TRIM SASH CHAIN TO NECESSARY LENGTH IN ORDER TO PROVIDE NORMAL OPERATION OF EYEWASH.
- 2 CRIMP END OF SPRING TO SASH CHAIN.



		1455 KLEPPE LANE SPARKS, NEVADA 89431 (775) 359-4712 FAX (755) 359-7424 E-MAIL: HAWS@HAWS.CO.COM WEBSITE: WWW.HAWS.CO.COM	
		ECN NO. REVISED PER BY: MODEL(S) ECN: 4580 HM	PART NUMBER 0002080393
DRAWN: J. MAY APPROVED:	DATE: 03/01/00 DATE:	CHKD.:	SP220SS TREADLE FOOT ASSY SS
SCALE: 1:5		DRAWING TYPE: INSTALLATION	SIZE: A SHEET 1 OF 1