

---

**FEATURES & BENEFITS**

---

**OPTIONS**

For more information, visit [www.hawsc.com](http://www.hawsc.com) or call (888) 640-4297.



---

**SPECIFICATIONS**

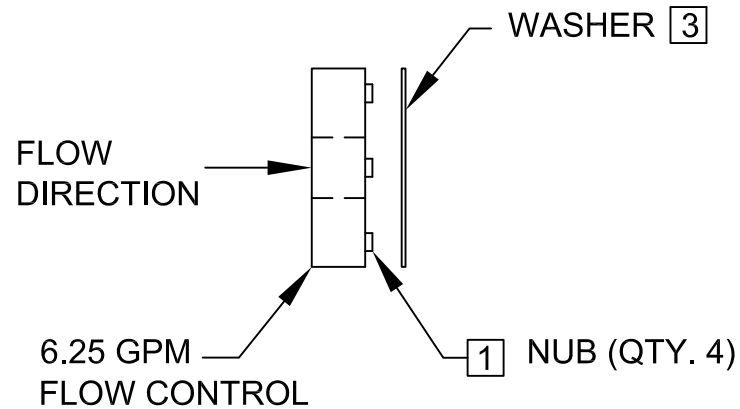
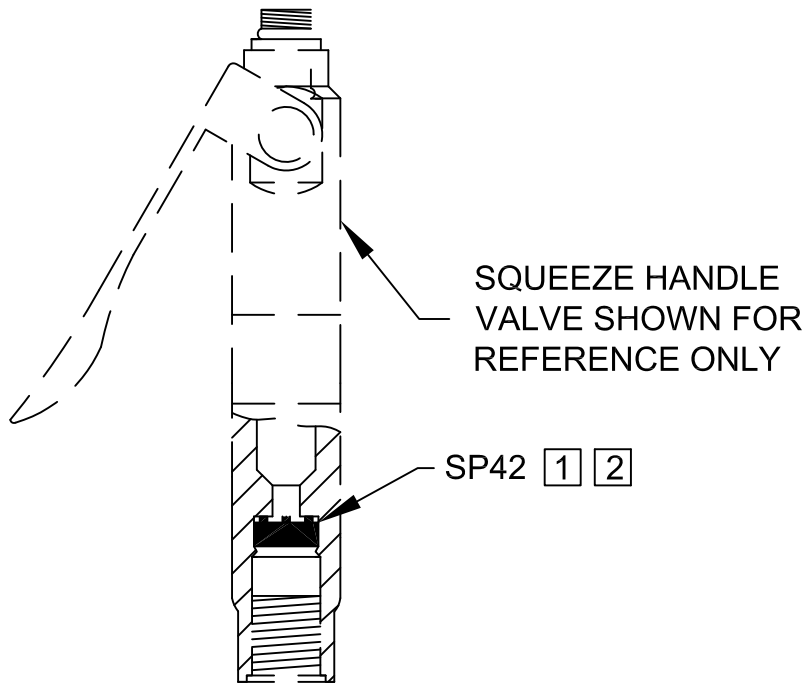
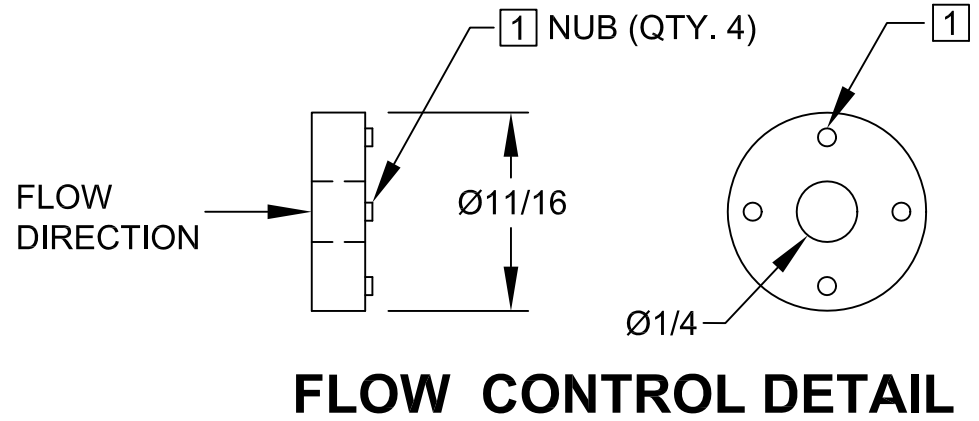
Model SP42 is a 6.25 gpm (23.7 L) flow control assembly.

---

**APPLICATIONS**

# NOTES:

- 1 NOTE FLOW CONTROL ORIENTATION:  
NUBS ON FLOW CONTROL MUST BE FACING OPPOSITE OF FLOW SIDE.
- 2 SQUEEZE VALVE APPLICATION DOES NOT REQUIRE WASHER.
- 3 IF APPLICATION REQUIRES WASHER (SUPPLIED), IT MUST BE PLACED ON NUB SIDE OF FLOW CONTROL (OPPOSITE FLOW DIRECTION).



<b>Haws</b> corporation		1455 KLEPPE LANE SPARKS, NEVADA 89431 (775) 359-4712 FAX (775) 359-7424 E-MAIL: HAWS@HAWSCO.COM WEBSITE: WWW.HAWSCO.COM			
		ECN NO. _____ REVISED PER: _____ BY: _____ ECN: 4314 IR	MODEL(S): <b>SP42 6.25 GPM FLOW CONTROL</b>		PART NUMBER: <b>0002080316</b>
DRAWN: J MAY	DATE: 09/27/98	CHKD: _____	INFO FAX DOC #: 27742	DRAWING NUMBER: <b>14294A00</b>	REV: <b>2</b>
APPROVED: _____	DATE: _____	SCALE: NA	DRAWING TYPE: INSTALLATION/FAXBACK	SIZE: A	SHEET 1 OF 1