

A172.8-UG-BF Series

BASE MODEL A172408F-UG-BF
BARRIER-FREE, UNIVERSAL BI-LEVEL, WALL MOUNTED WATER COOLER WITH PUSHBUTTON OR SENSOR OPERATED BOTTLE FILLER

STANDARD FEATURES

Electric Water Cooler

- Rough-Ins Match Other Manufacturer's for Easy Replacement
- EZ Door[®] Filter, 30-Second Filter Replacement Option
- Child Or Adult Ada Compliant (When Properly Installed)
- Apron and One-Piece Bottom Wrapper is Satin Finish Or Gray Powder Coat Finish
- Flexible, Low Flow, Antimicrobial, Anti-Rotation, Non-Squirt Bubbler
- Auto-Stop Allows Cartridge And Strainer Service Without Removing Cooler Deck To Access Water Supply Stop
- Universal Bi-level Can Be Installed Left High Or Right High With No Additional Parts.
- Lead Free

Bottle Filler

- Hands-Free Sensor Operation or Pushbutton Operated
- ADA Compliant
- 100-Mesh Inlet Strainer
- 120VAC/9.0VDC Plug-In Transformer, With -BF12 Only
- Laminar Flow Water Supply
- 1 GPM Fill Rate
- -BF12 Sensor Has a 20 Seconds Maximum Run Time

SUGGESTED SPECIFICATIONS

Electric Water Cooler

Model A172108F-UG-BF is a bi-level, self-contained, pressure Water Cooler that delivers a minimum of **8.0 GPH** (30.3 LPH) of water at 50°F (10°C) cooled from 80°F (26.7°C) inlet water and 90°F (32.2°C) ambient. Unit shall be activated from an Antimicrobial front Pushbutton using less than 5 pounds of force. Bubbler shall deliver a 0.3 GPM flow, have an Antimicrobial Flexible Guard with an integrally designed non-squirt feature and operate on a water pressure range of 20-105 PSIG. Basin shall be constructed from 304 Stainless Steel and have an Integral Drain. Cabinet shall be either Galvanized or Galvannealed Steel with Gray Powder Coat Finish or Stainless Steel with Satin Finish. Cooling system shall use R-134a Refrigerant and be Capillary Tube regulated. Unit shall be listed by Underwriters Laboratories for both the US and Canada and is to be compliant to ANSI/ASHRAE 18. Unit shall be certified to Public Law 111-380 (NO-LEAD) and NSF/ANSI/CAN 61. Fixture meets ADA, ADA Standing Person, and ADA Child requirements when mounted appropriately. Unit shall still deliver ambient water temperature to the Bubbler in the absence of electrical power as long as there is a pressurized water supply.

Bottle Filler -BF11

Bottle Filling unit shall include Pushbutton Operated activation.

Bottle Filler -BF12

Bottle Filling unit shall include Sensor Operated activation with a 20 second maximum run time. Optional -BCD (Bottle Counter Display) indicates the quantity of 16 oz disposable Plastic Bottles saved from a land fill, displays the Water Filter status and includes LED Light to illuminate and brighten the Bottle Fill area when a Bottle is detected.

Bottle Filler housing construction will be 20 gauge Stainless Steel with a satin finish and will also include components manufactured from Antimicrobial, impact resistant ABS. Bottle Filler shall provide approximately 1 GPM flow rate with a Laminar Flow Spout to minimize splashing.



"RATED FOR INDOOR USE ONLY"

Model Number	GPH*	Rated Watts	Full Load Amps	Approx. Shipping Weight
A172408F-UG	8.0	335	4.1	178 lbs.

* GPH of 50°F water at 90°F ambient room temperature and 80°F inlet water temperature
Compressor motor operates on 115 Volt / 60 Hz single phase.

MODEL:

(Must Specify)

FLEXIBLE BUBBLER

- A172108F-UG Gray Finish Cooler
- A172408F-UG Satin Stainless Finish (Shown)

STAINLESS STEEL BUBBLER

- A172108S-UG Gray Finish Cooler
- A172408S-UG Satin Stainless Finish

MUST SPECIFY BOTTLE FILLER: Satin Finish (only)

- BF11 Bottle Filler with Pushbutton Operation
- BF12 Bottle Filler with Sensor Operation
- BF12-BAT Bottle Filler with Battery Operated Sensor Operation (N/A With -BCD)
- BF12-BCD Bottle Filler with Sensor Operation with Bottle Counter Display

OPTIONS:

(Additional costs may apply.)

- LOGO Customer Specified Logo / Graphics
- 220V 220 Volt / 50 Hz or 60Hz Compressor

ACCESSORIES:

(Additional costs may apply. Accessory items are packaged separately.)

- WF3EZ 3000-Gallon EZ Door[®] PFAS Filter¹
NSF/PFAS/Lead Bacteria/Chlorine/Microplastics
- SK5 Cane Detection Skirt for Upper Unit¹
Skirt finish provided to match Model selected above
(P.N. A000G000-SK5 Gray, A0004000-SK5 Satin Stainless)

NOTES:

1 - Refer to Supplemental Submittal Sheet for Details.

Compatible Mounting Support Carrier

Jay R. Smith Mfg. Co. Figure # 0834-4P <https://www.JRSmith.com>

3000 Gallon PFAS Filter Certifications Product Warranty

WARNING: Cancer and Reproductive Harm - www.P65Warnings.ca.gov

Complies with the following standards:



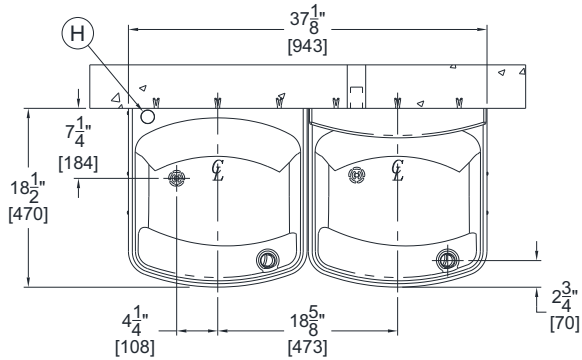
Federal Public Law 111-380 (No Lead)



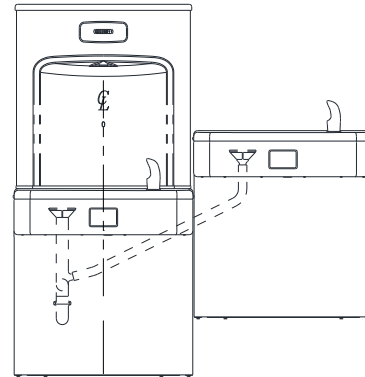
NSF/ANSI/CAN 61

ANSI/ASHRAE 18

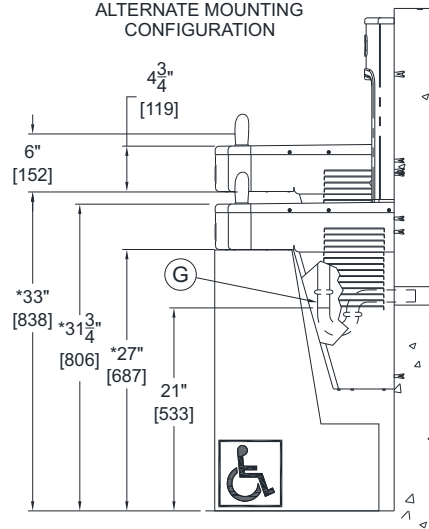
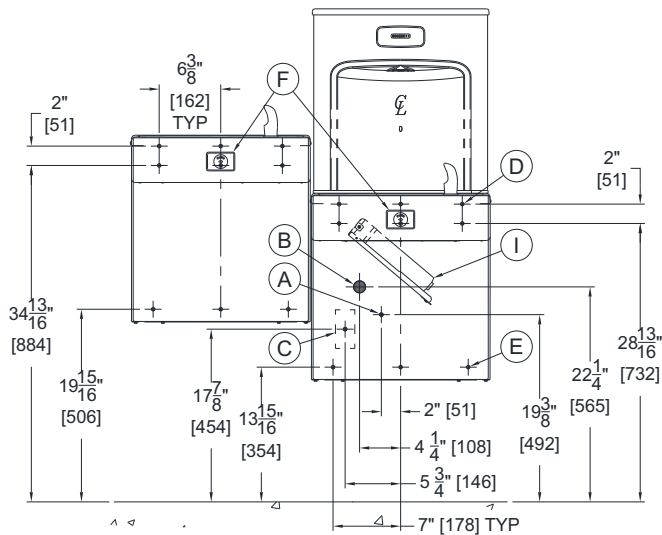
A172.8-UG-BF Series
BASE MODEL A172408F-UG-BF
BARRIER FREE, WALL MOUNTED UNIVERSAL
BI-LEVEL ELECTRIC WATER COOLER WITH
BOTTLE FILLER



A172100F-UG-BF12 SHOWN



ALTERNATE MOUNTING CONFIGURATION



GENERAL NOTES:

1. ALL DIMENSIONS ARE IN INCHES [MM]
2. ALLOW 4 INCHES [102MM] MINIMUM CLEARANCE PER SIDE FOR VENTILATION
- *3. DIMENSIONS SHOWN ARE FOR ADA ADULT HEIGHT. ADJUST VERTICAL DIMENSIONS AS NECESSARY TO COMPLY WITH FEDERAL, STATE & LOCAL CODES
4. STOP VALVE, P-TRAP & ELECTRICAL OUTLET NOT SUPPLIED
5. IMPORTANT: COOLERS MUST BE ATTACHED TO WALL WITH APPROPRIATE ANCHOR SCREWS

- A. 3/8" O.D. SUPPLY INLET
- B. WASTE OUTLET FOR P-TRAP BY OTHERS FOR PROVIDED 1-1/4" O.D. TAILPIECE
- C. ELECTRICAL SERVICE ROUGH
- D. Ø3/8" HANGER BRACKET PUNCHING, 6 PLACES FOR ANCHORING HARDWARE BY OTHERS
- E. Ø1/4" PUNCHING, 3 PLACES FOR ANCHORING HARDWARE BY OTHERS
- F. PUSHBUTTON CARTRIDGE
- G. 1-1/4" [32] O.D. TAILPIECE FOR P-TRAP BY OTHERS
- H. REMOVABLE PLUG FOR BOTTLE FILLER (-BF11 OR -BF12 ONLY)
- I. OPTIONAL -WF1EZ/WF3EZ DOOR[®] PFAS FILTER

IMPORTANT: Dimensions are shown for reference only. Refer to product Installation Manual for complete details prior to Rough-in.

SELECTION SUMMARY & APPROVAL FOR MANUFACTURING

Model Number & Options _____ Quantity _____

Company _____

Contact _____ Title _____

Signature (Approval for Manufacturing) _____ Date _____

All dimensions are subject to manufactures tolerance of plus or minus 1/4" nominal and subject to change without notice. Murdock[®] assumes no responsibility for use of void or superseded data. Dimensions may change with the addition of optional accessories. Murdock[®] Mfg., Member of Morris Group International[®]. Please visit www.murdockmfg.com for most current specifications.