

OASIS® Universal Filter Kit

INSTRUCTIONS TO RETROFIT OASIS COOLERS AND BOTTLE FILLERS, SUNROC COOLERS

Do not use with water that is microbiologically unsafe or of unknown quality without adequate disinfection before or after the system.

Refer to Performance Data Sheet for conditions of use and contaminant reduction claims.

SECTION A: P8AC series - pages 1 through 3.

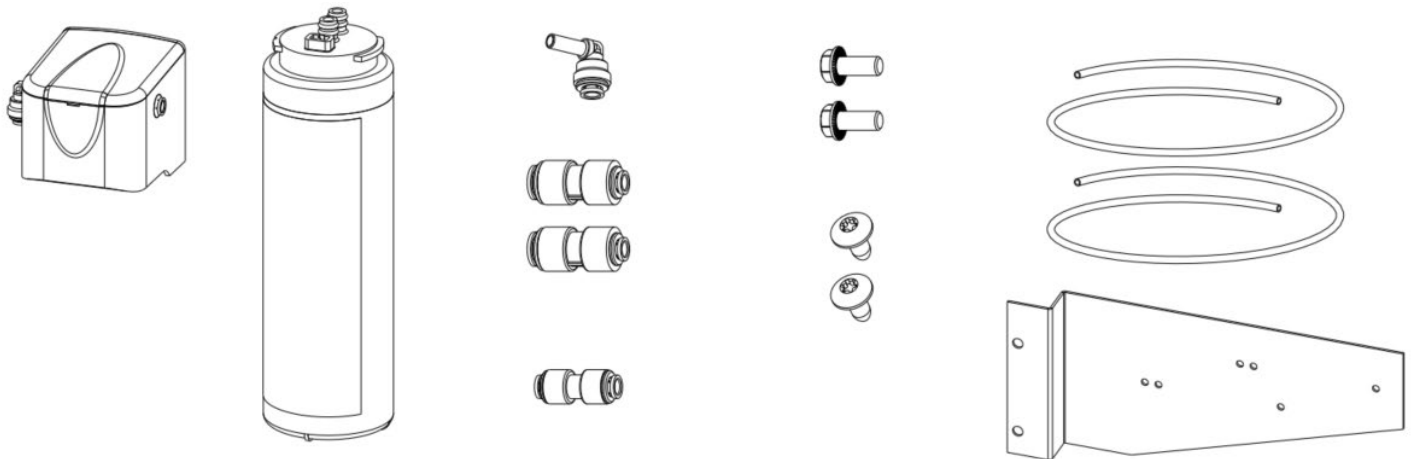
SECTION B: On-wall Bottle Fillers with an Oasis water cooler - pages 4 through 6.

SECTION C: Radii, Modular, Fully Recessed, PCP, PLF_FA & P_FA series – pages 3 & 7.

SECTION D: Proper Filter Head Orientation – page 7.

Installation should comply with all state and local laws and regulations.

Parts Included and Used for SECTION A: P8AC series.



1. Filter Head Assembly with one Quick-Connect Elbow Fitting

2. Filter Cartridge

3. ¼" OD Quick-Connect Elbow Fitting

4. 3/8" OD x ¼" OD Quick-Connect Reducing Union (Qty. 2) (If applicable)

5. ¼" OD Quick-Connect (If applicable)

6. #8 x 3/8" Long Hex Head Tapping Blunt Screw (Qty. 2)

7. #8 x 3/8" Long T15 Torx Truss Head Tapping Screw (Qty. 2)

8. ¼" OD x 38" Long White Plastic Tubing (Qty. 2)

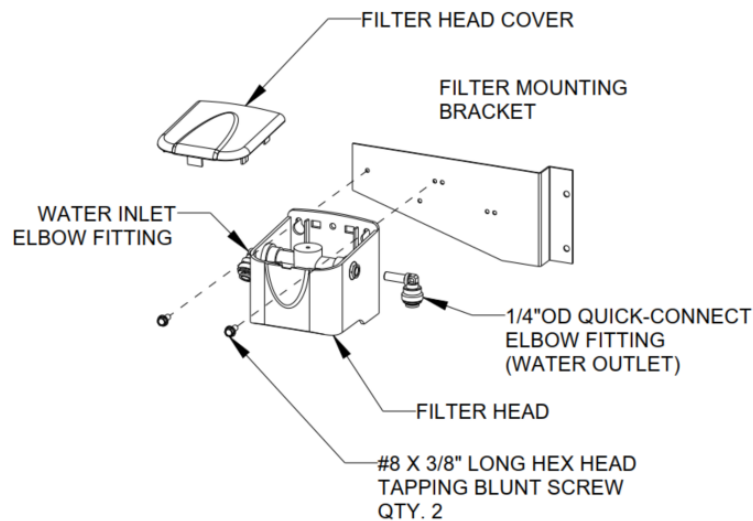
9. Filter Mounting Bracket

10. Instructions (not shown)

SECTION A: P8AC series.

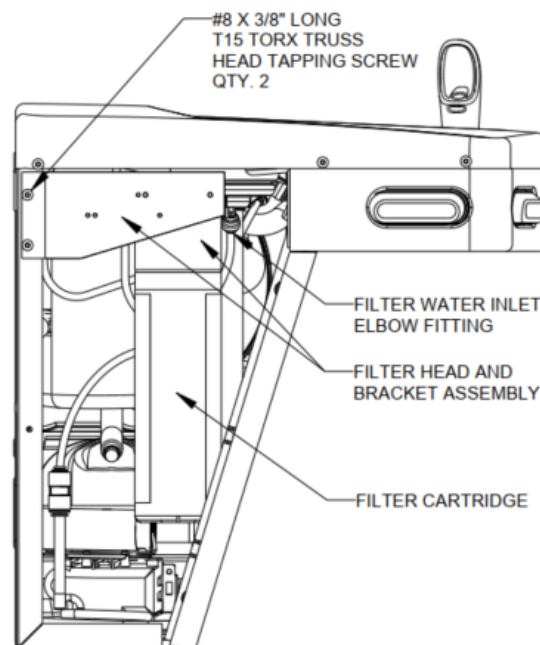
1. Remove front and left side panels (when facing the front of the unit). In case of a split-level model, the filter will be placed in the non-cooling unit (left unit). Save screws.
2. Turn off the water supply to cooler.
3. Actuate bubbler valve to relieve water pressure in tubing.
4. Disconnect the water supply line from the inlet valve.
5. Disconnect the power cord from the power supply outlet.
6. Assemble filter head to filter mounting bracket with two screws provided. Insert ¼" OD elbow fitting in water outlet of the filter head. **See Diagram A1.**

Diagram A1 – Filter Head and Bracket Assembly



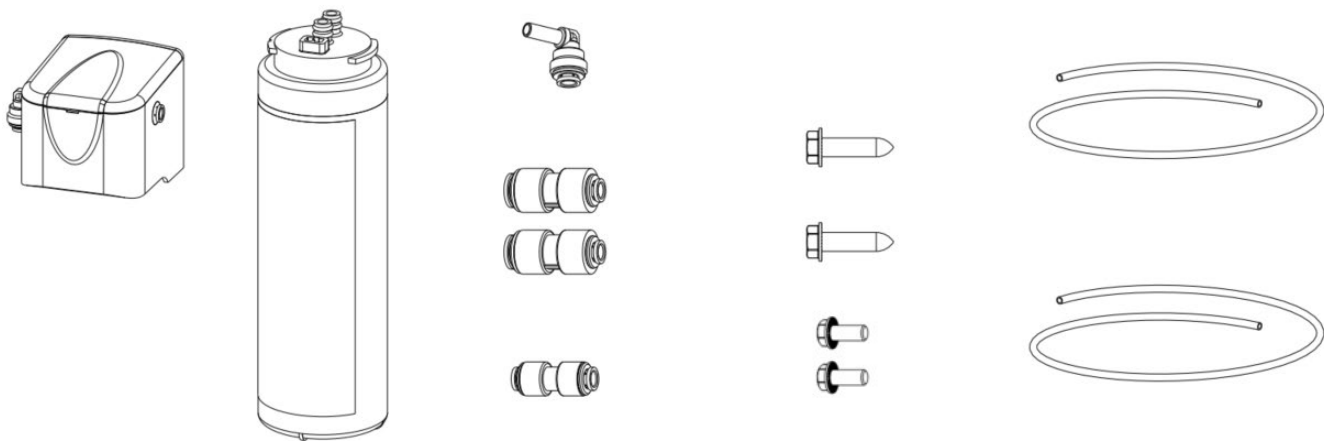
7. Install filter head and bracket assembly to unit. There will already be two holes in the frame that line up with the holes in the bracket. Align these holes and attach them with two T15 torx truss head screws. **See Diagram A2.**

Diagram A2 – installed Filter Head Assembly and Filter Cartridge



8. Cut existing water inlet line (or water supply extension tube in case of the split level) with a small tubing cutter. Cut should be made on a straight section of the inlet/extension line.
9. Take the cut end of the existing water inlet line that is connected to the building supply line and connect it to the elbow fitting on the inlet side of the filter head assembly – this is the side closest to the front of the unit. If necessary, use the supplied tubing and applicable quick connect fittings. Be sure to properly seat the tube into the fitting, or leaks may occur.
10. Connect the other end of the cut water line to the elbow fitting on the outlet of the filter head assembly. If necessary, use the supplied plastic tubing and applicable quick connect fittings. Be sure to properly seat the tube into the fitting, or leaks may occur.
11. Install filter cartridge per directions noted on the filter cartridge.
12. To prepare for flushing of the filter, remove plug from bottom of the cooling tank (DRAIN/REMOTE COLD WATER) port and place container under it to catch water.
13. Turn on the water supply to cooler to flush the filter. Check for leaks. See filter cartridge label for filter flushing instructions. Turn off water supply once flushing is complete.
14. Replace plug on the “DRAIN/REMOTE COLD WATER” port, or complete water connection using that port.
15. Plug-in water cooler power cord in power supply outlet.
16. Actuate bubbler valve on the water cooler to remove air bubbles in the water lines. Check for leaks.
17. Prior to replacing the removed panel(s), tuck the flexible tubing out of the way to avoid damaging it.
18. Replacement cartridges should be obtained by contacting an Oasis distributor.

Parts Included and Used for SECTIONS B & C:



1. Filter Head Assembly with one Quick-Connect Elbow Fitting

2. Filter Cartridge

3. 1/4" OD Quick-Connect Elbow Fitting

4. 3/8" OD x 1/4" OD Quick-Connect Reducing Union (Qty. 2)

5. 1/4" OD Quick-Connect Union Fitting

6. #8 x 5/8" Long Hex Head Self-Drilling Screw (Qty. 2)

7. #8 x 3/8" Long Hex Head Tapping Blunt Screw (Qty. 2)

7. 1/4" OD x 38" Long White Plastic Tubing (Qty. 2)

8. Instructions (not shown)

SECTION B: For On-wall Bottle Fillers with an Oasis water cooler

**See note at end of section for surface mount installation

1. Water Cooler

- 1.1. Remove the water cooler front access panel and the left side panel. Save screws.
- 1.2. Turn off water supply to cooler.
- 1.3. Actuate bubbler valve on the cooler and actuate the bottle filler sensor on hands-free model to relieve water pressure in the tubing.
- 1.4. Disconnect water cooler and bottle filler power cords from the power supply outlet.

2. Bottle Filler

- 2.1. Remove T15 Torx head screws securing bottle filler cabinet to frame. Tip the bottle filler cabinet forward on the water cooler using the tether to hold bottle filler in place.
- 2.2. **Solenoid Activated Bottle Filler:** Disconnect the water tube from the inlet quick-connect fitting of solenoid valve.
- 2.3. **Mechanical Bottle Filler:** Disconnect the water tube from the inlet quick-connect elbow fitting on the cartridge valve noted as "IN."

3. Installing Filter Head to Bottle Filler Frame

- 3.1. Remove top cover of the filter head and set aside. Install filter head using **Diagrams B1 & B2** for reference. Secure with two (2) #8 self-drilling hex head screws. Use the shorter #8 blunt hex head screws on VR models.
- 3.2. Assemble one (1) quick-connect elbow fitting provided to the outlet (right side) of the filter head shown in **Diagram B2**. The quick-connect elbow fitting on the inlet (left side) is pre-installed. Re-install filter head cover.

Diagram B1 – (Model shown without mounting bracket)

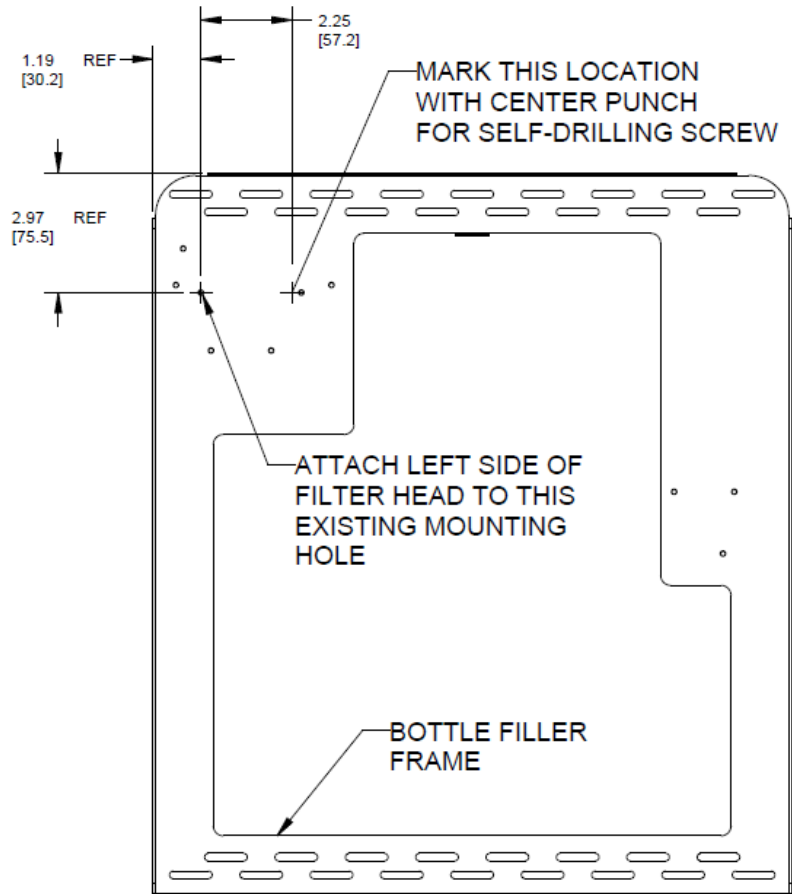
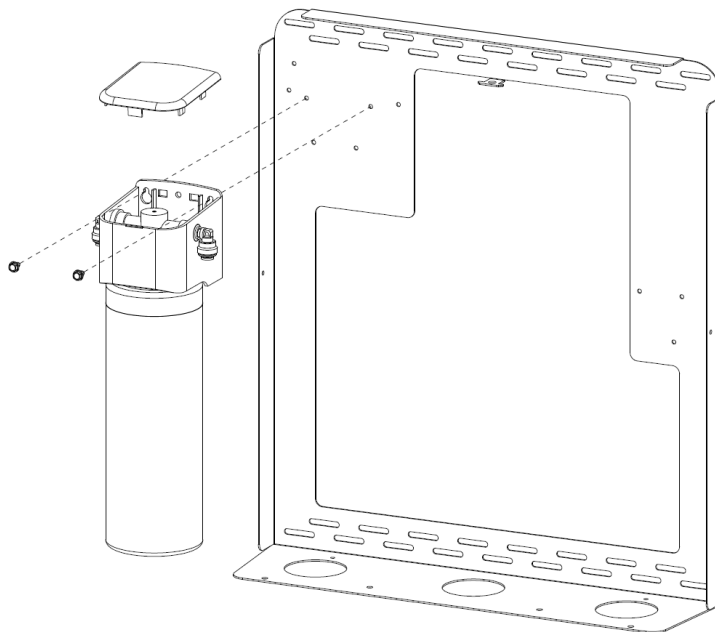


Diagram B2



4. Installing the Filter Cartridge to Filter Head

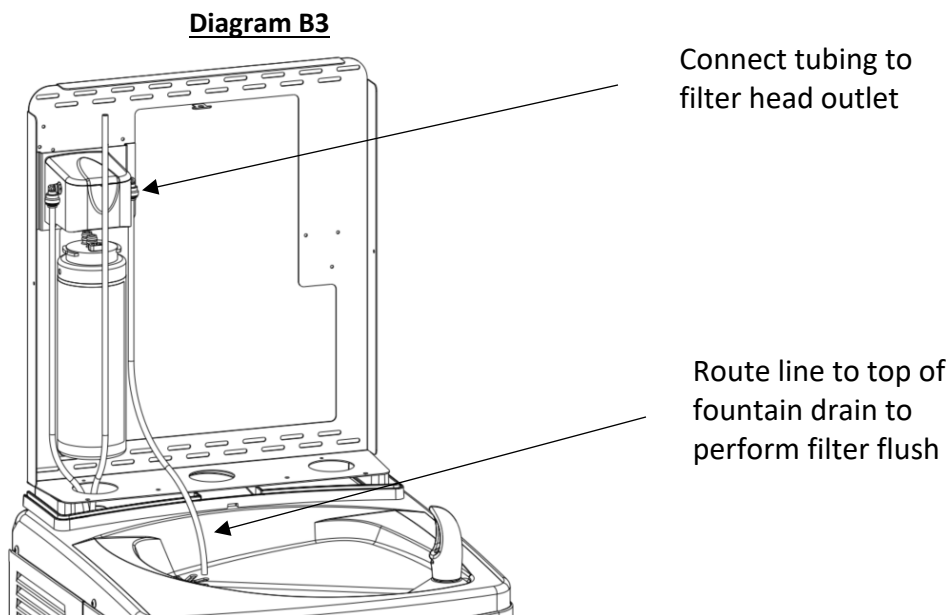
- 4.1. Install Filter Cartridge per the directions noted on the filter cartridge. Replacement cartridges should be obtained by contacting an Oasis distributor.

5. Bottle Filler & Water Cooler

- 5.1. Locate the white tubing at the water supply shut-off valve. Disconnect the tubing between the reducer fitting to the quick connect elbow at the cooling tank inlet, and discard.
- 5.2. Insert one piece of tubing provided into the filter head inlet (left side). Feed tube through hole in frame and hole in water cooler top. Insert the other end of the tubing into the 3/8" OD x 1/4" OD quick-connect reducing union fitting at water supply shut-off valve.

6. Flushing the Filter Cartridge

- 6.1. Insert second piece of plastic tubing provided into the filter head outlet (right side). **See Diagram B3**
- 6.2. Route the other end of the tube to the fountain drain in top to perform the filter flushing. **See Diagram B3**



- 6.3. Turn on water supply to water cooler. Check for leaks. See filter cartridge label for filter flushing instructions. Turn off water supply once flushing is complete. Take tubing and feed through hole in bottle filler frame and water cooler top to connect to the cooling tank. Insert tubing into the quick-connect elbow fitting on the left side (inlet) of the insulated cooling tank.

7. Bottle Filler

- 7.1. Re-connect the water tubing that was disconnected in **Step 2.2 or 2.3**. Tip the bottle filler cabinet back into place against frame.

8. Water Cooler & Bottle Filler

- 8.1. Turn on water supply to cooler. Plug-in water cooler and bottle filler power cords in power supply outlet.
- 8.2. Actuate bubbler valve on the cooler and actuate the bottle filler sensor on hands-free model or bottle filler pushbutton on mechanical model to remove air bubbles in water lines. Check for leaks.
- 8.3. Re-install bottle filler cabinet to frame and any removed panels from water cooler.

****Note that for surface mount models, bottle filler cabinet will need removed off wall due to lack of tether. Disconnect bottle filler power supply from the power brick located inside the cabinet as necessary. Filter flushing should be done into an overflow container. Tubing should be cut to length as necessary to avoid kinks and sideload.**

SECTION C: For Radii, Modular, Fully Recessed, PCP, PLF FA & P FA series

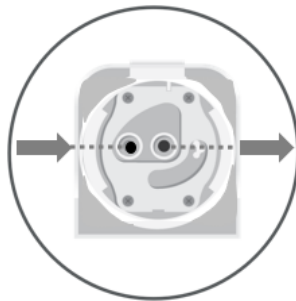
This filter kit will also retrofit into the following models:

Model	Location To Install:
RADII SERIES	Above the chiller, if applicable.
MODULAR SERIES	Above the chiller, if applicable.
FULLY RECESSED PLF8(FPM)(WFPM)(WEE)	Above the chiller, if applicable.
PCP SERIES (except hot models)	On back panel below the drain line
PLF_FA & P_FA SERIES (except hot models)	On top of the cooling tank shelf.

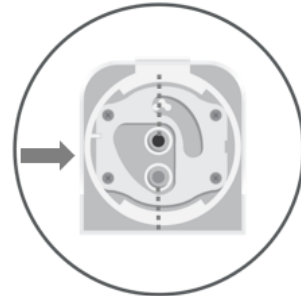
SECTION D: Proper Filter Head Orientation



When the filter cartridge is inserted in the filter head and given a ¼ turn, the filter will lock into place and opens the waterway to allow flow into and out of the filter

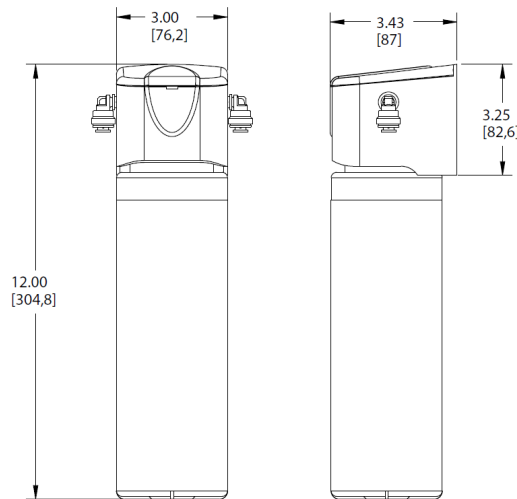


When in the "ON" position. The fittings of the filter head will line up with the filter inlet and outlet



When in the "OFF" position the water inlet is blocked by the filter head.

Filter Dimension



OASIS INTERNATIONAL
222 East Campus View Blvd. • Columbus, OH 43235 U.S.A.
1-800-646-2747
www.oasiscoolers.com