



NNEBFEZ

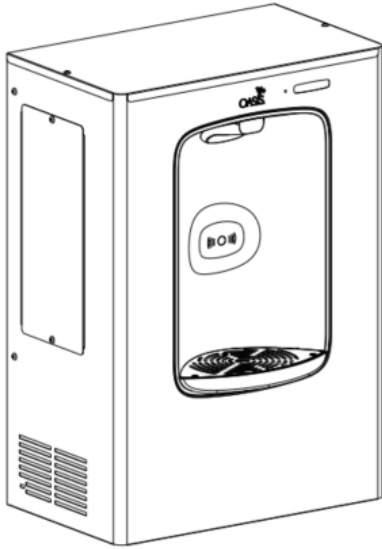
NNFEBFEZ

Cooler to Bottle Filler Conversion Kit for Single and Split Level
ELKAY EZ8 and LZ8 Water Coolers

INSTALLATION INSTRUCTIONS

Section 1: Getting Started

What's Included:



Assembled
NN(F)EBFEZ Cabinet



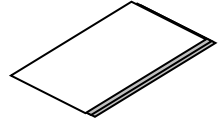
1/4" Elbow



0.25" Terminals
x2



10" of 1/4" OD plastic
tubing with 9" of tubing
insulation



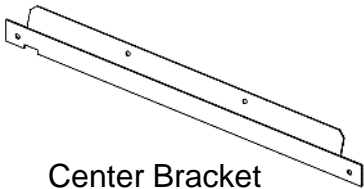
Installation
instructions



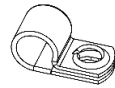
Drain Elbow
x2



Side Mounting
Bracket
x2



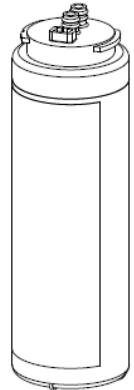
Center Bracket



Strain Relief
P-Clip



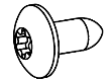
#8 Thread Cutting
Hex Screw



Filter
(For Filtered
Models Only)



Drainpipe
x2



#8 Torx Screws
x3



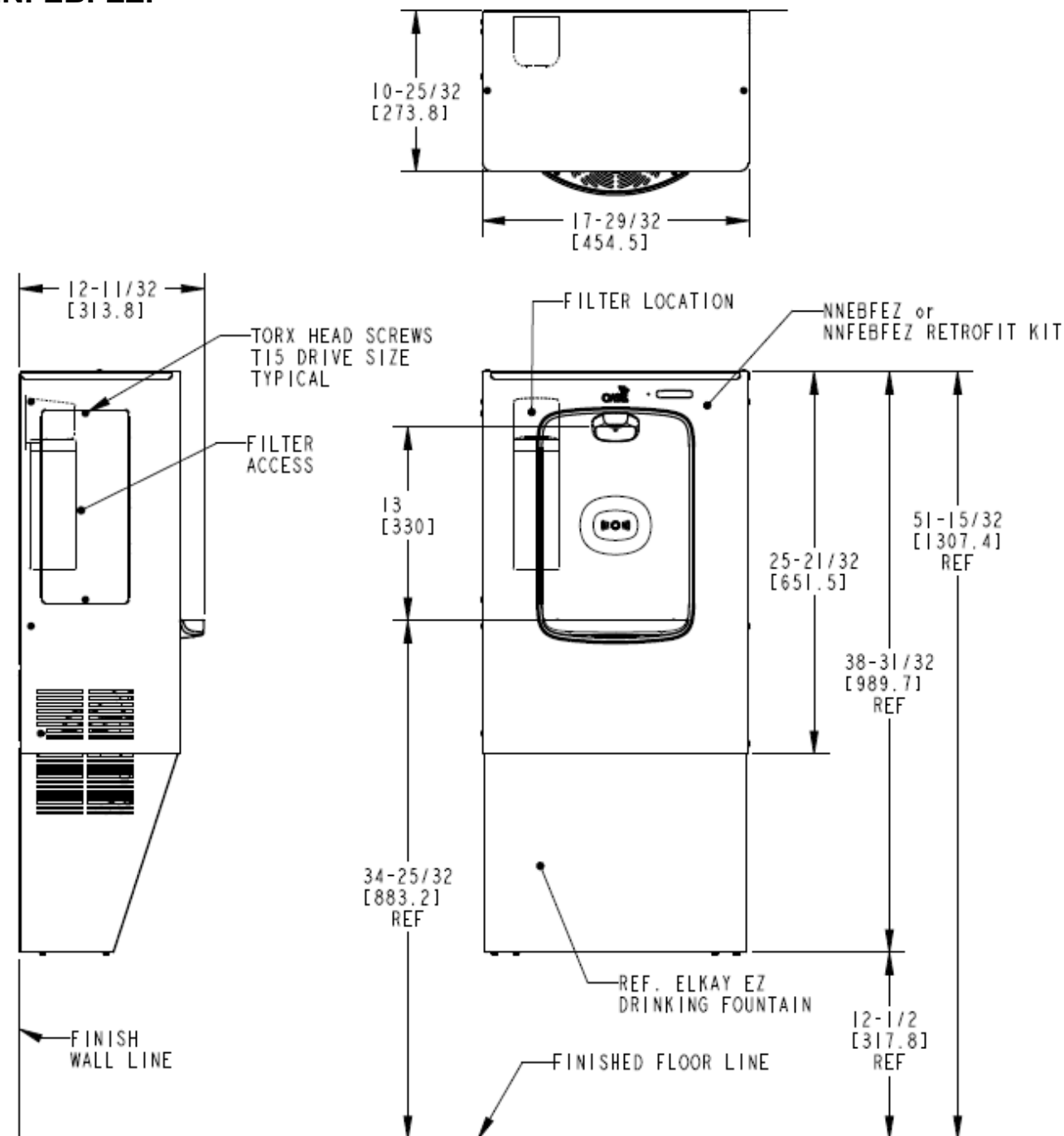
#10 Hex Screws
x6

Tools & Hardware Required:

- Electric drill/driver
- Small tubing cutter for plastic line
- 5/16" nut driver
- 1/4" nut driver
- Means to cut 1 1/4" drain pipe
- T15 Torx screwdriver or bit
- T20 Torx screwdriver or bit
- 4 appropriate wall anchors (not supplied)

Section 2: Rough In Drawing

NNEBFEZ:
NNFEBFEZ:



NOTES:

1. ALL DIMENSIONS ARE IN INCHES.
 DIMENSIONS IN BRACKETS [] ARE MILLIMETERS.



SINGLE LEVEL PREPARATION

- Disassembly of ELKAY Cooler
- Wiring
- Water Lines

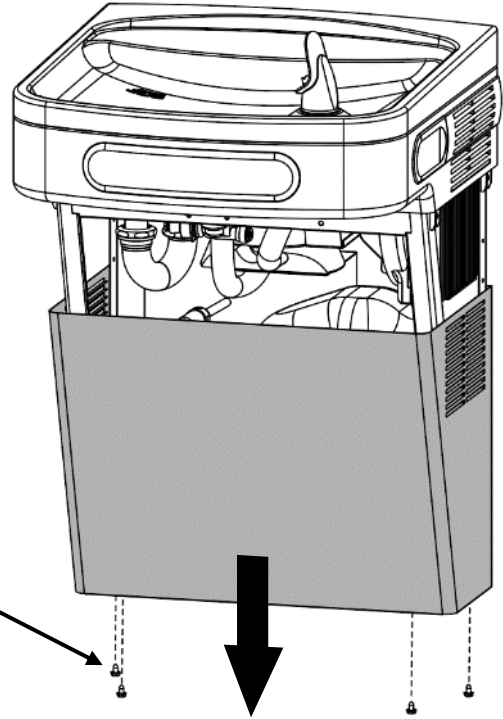
Section 3: Preparation

1. Remove fountain wrapper.

2. Turn OFF water supply to the unit.
Bleed any remaining pressure from the lines by activating the bubbler valve.

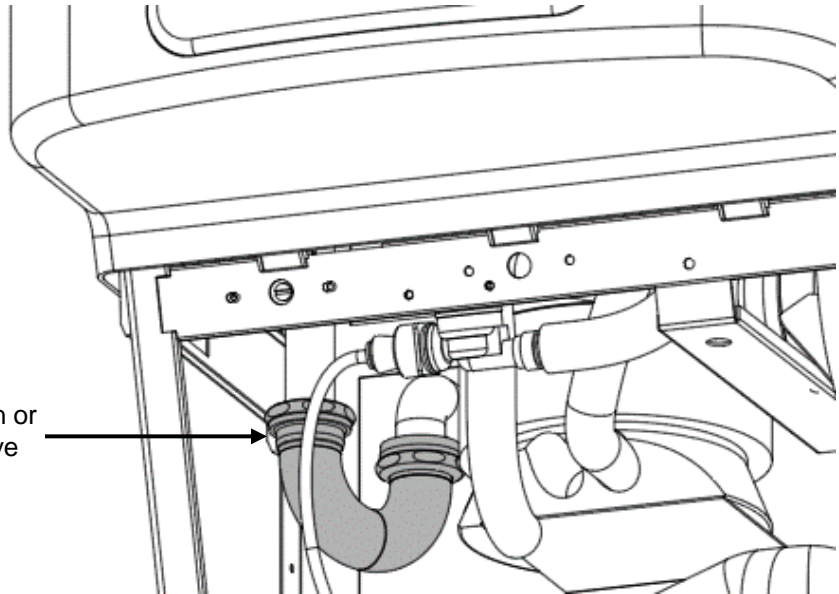
3. Disconnect power by UNPLUGGING the unit from the wall socket.

Remove 4x
#10 Hex
Screws



4. Loosen or remove the P-trap so that the fountain nose assembly may be freely removed in the next step.

Loosen or
Remove

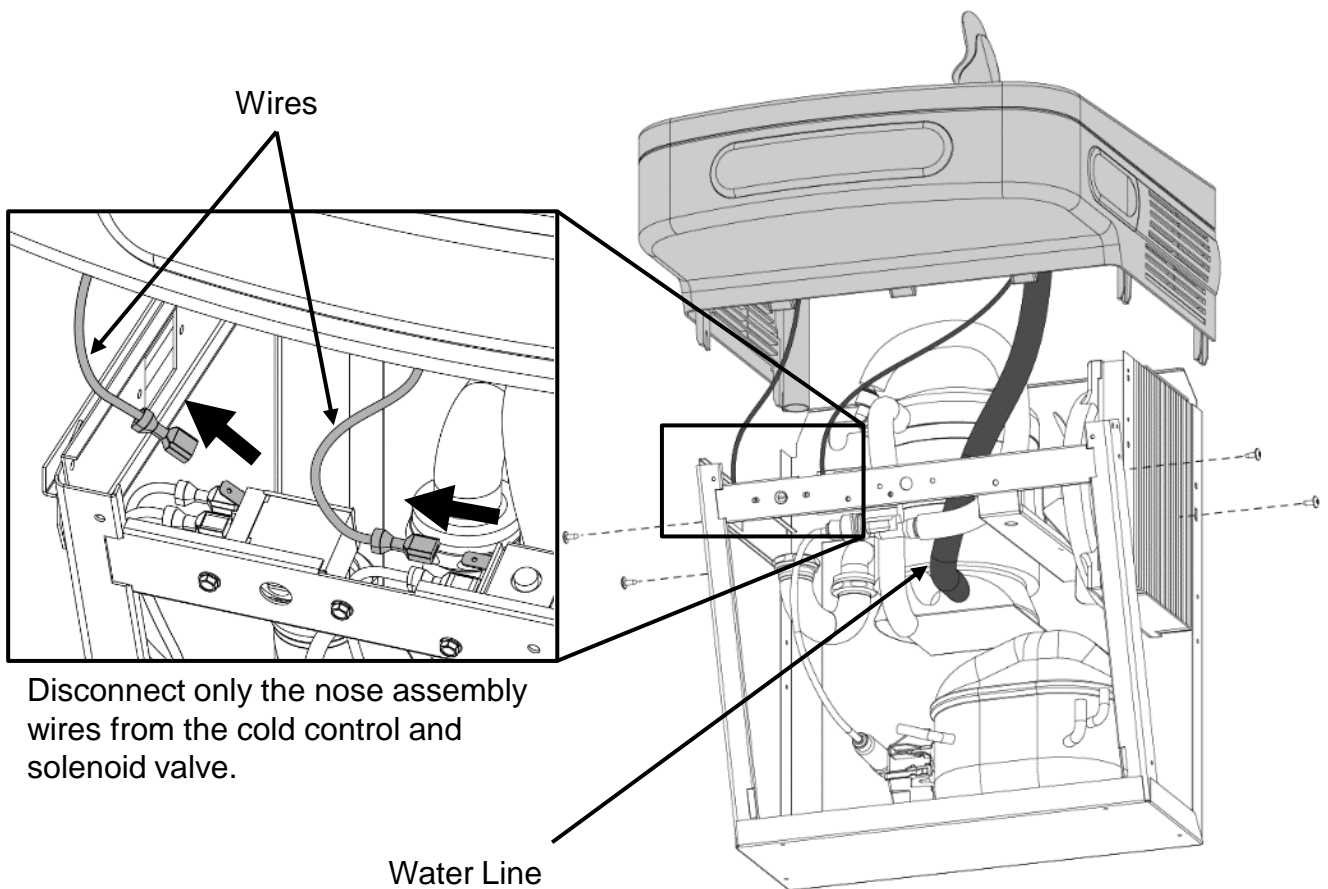


Section 3A: Preparation

5. Remove fountain nose assembly. **Tool Needed: T20 Torx bit**

- A. Remove 4x #10 Torx screws from the fountain.
- B. Disconnect **ONLY** the nose assembly wires from the cold control and solenoid valve. Leave all other wires connected to the cold control and solenoid valve. For non-refrigerated models, unplug the unit.
- C. Disconnect the water line from the bubbler inside the nose. **DO NOT** disconnect from the fountain.

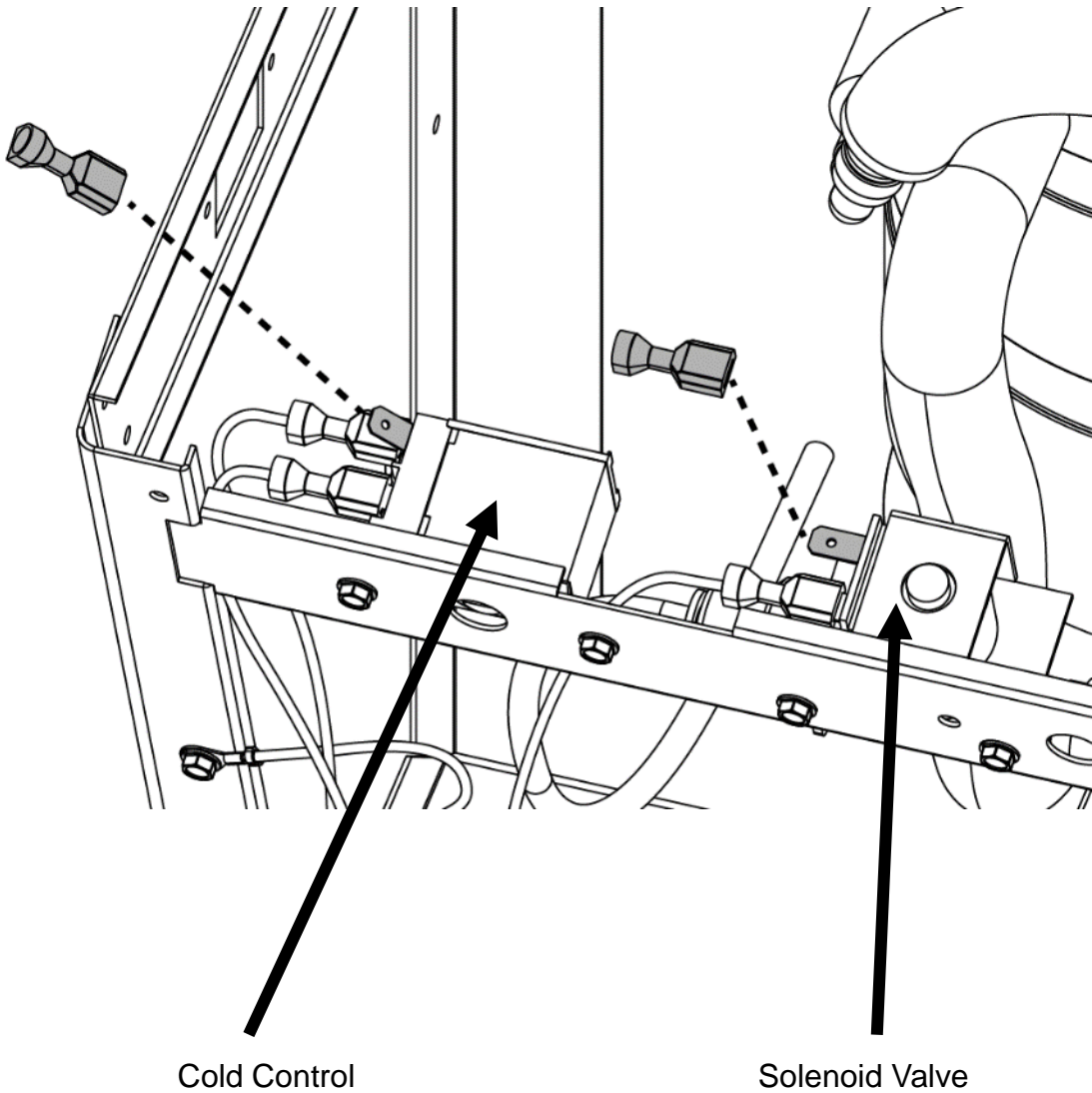
DO NOT REMOVE COLD CONTROL OR SOLENOID VALVE ASSEMBLIES FROM THE FOUNTAIN.



Section 3A: Preparation

6. After the nose assembly has been removed, cover the two bare terminals with the insulated female spade terminals (provided) for safety.

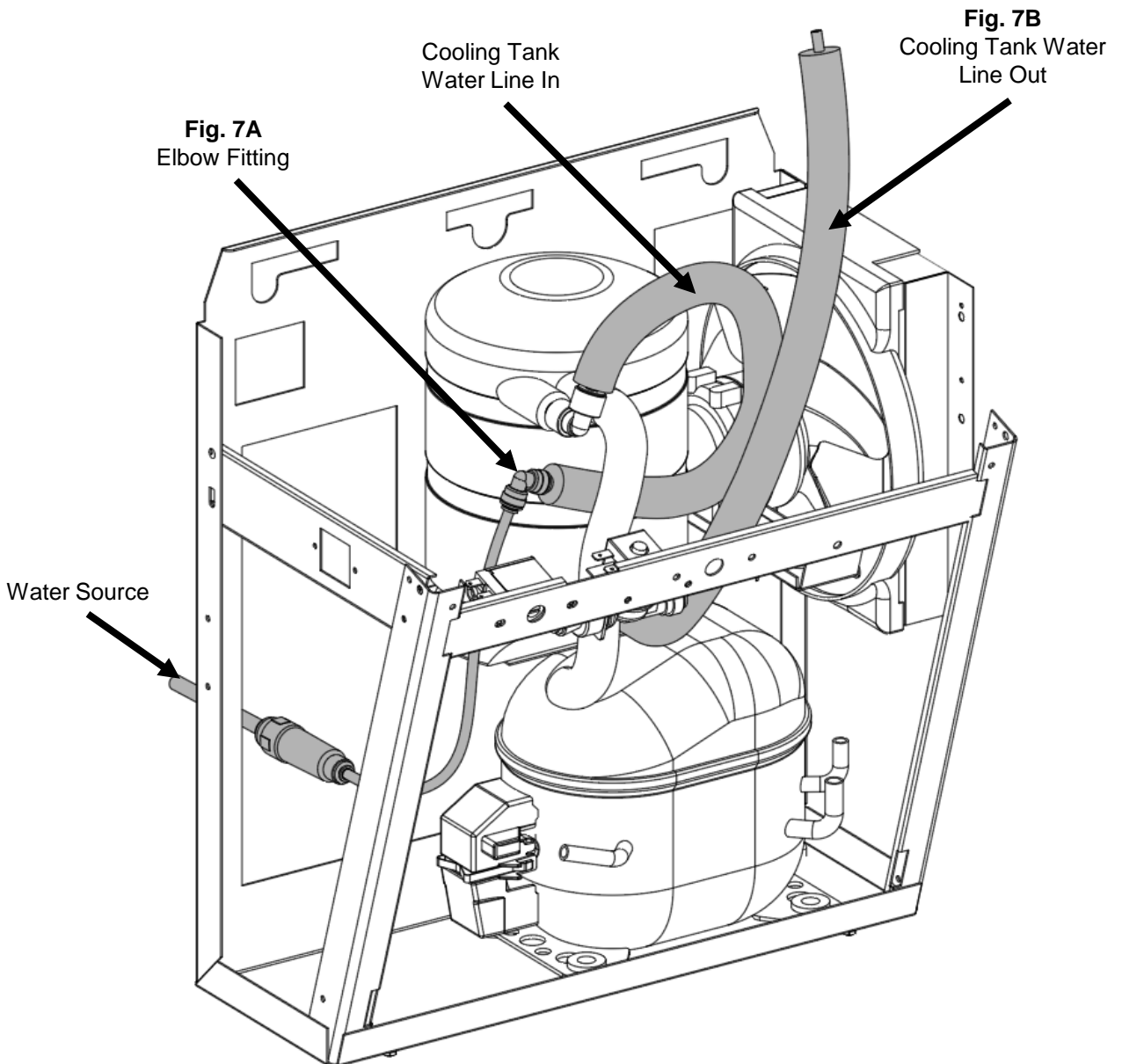
NOTE: The image shown may differ from some models but the instructions will still apply.



Section 3A: Preparation

7. Locate the solenoid valve on the Elkay unit. Disconnect both water lines from the solenoid valve. Join the two water lines together using a $\frac{1}{4}$ " elbow fitting (provided) (Fig. 7A). For filtered model NNFEBF EZ with the Filtration skip to next page, Section 3A: Step 8.

Allow the cooling tank water outlet line to extend freely upward (Fig. 7B).



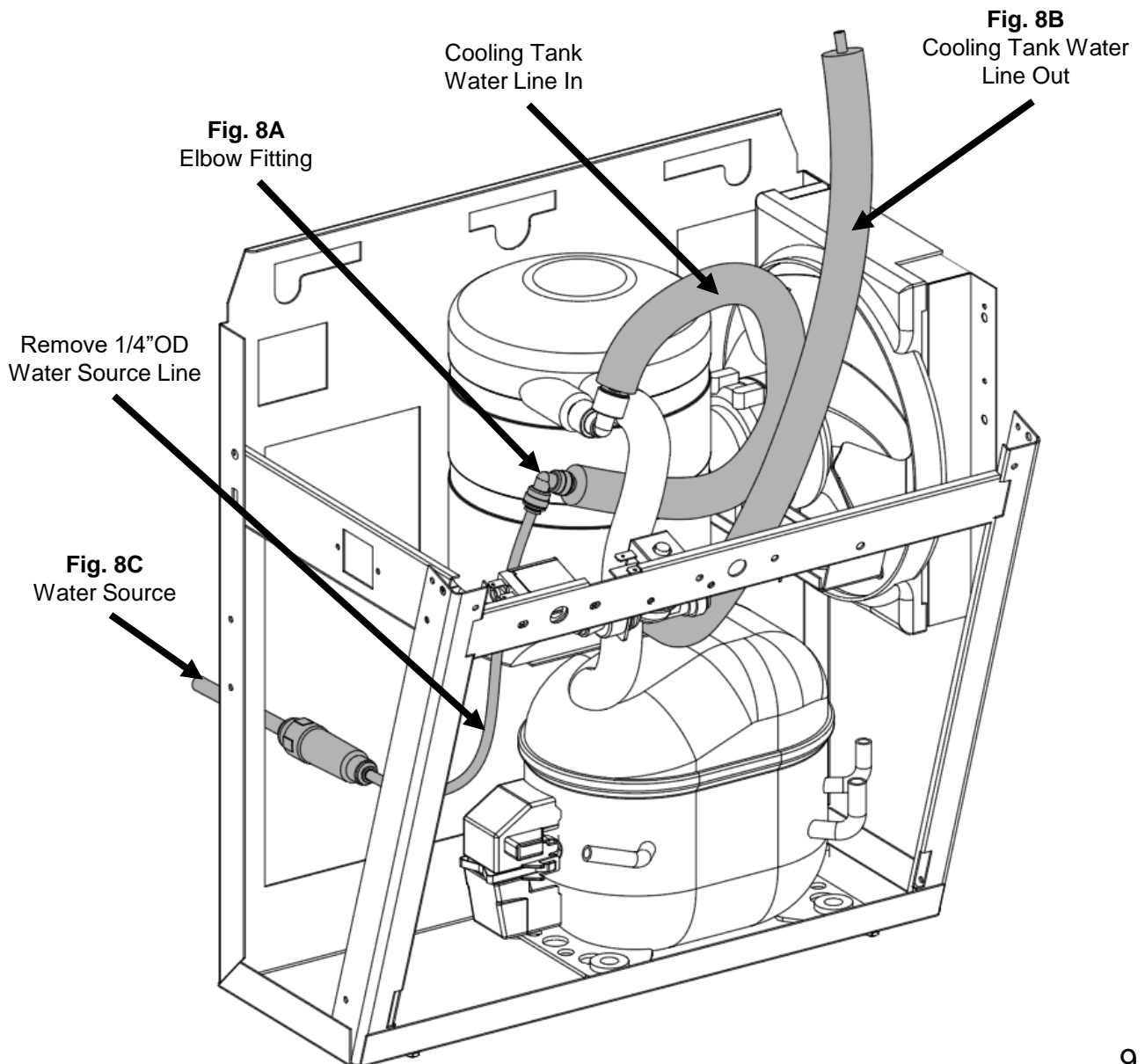
Shown above is the correct final orientation

Section 3A: Preparation

8. Model NNFEFBEZ with Filtration: Locate the solenoid valve on the Elkay unit. Disconnect both water lines from the solenoid valve. Add ¼" elbow fitting (provided) (Fig. 8A) to Cooling Tank Water Line In. Remove 1/4"OD water source line.

Allow the cooling tank water outlet line to extend freely upward (Fig. 8B).

In future steps after the NNFEFBEZ frame assembly is installed, the Inlet Line on the filter head assembly will be connected to the Water Source Fitting (Fig. 8C) and the Outlet Line on the head assembly will be connected to the Cooling Tank Water Inlet Elbow Fitting (Fig. 8A).



Shown above is the correct final orientation

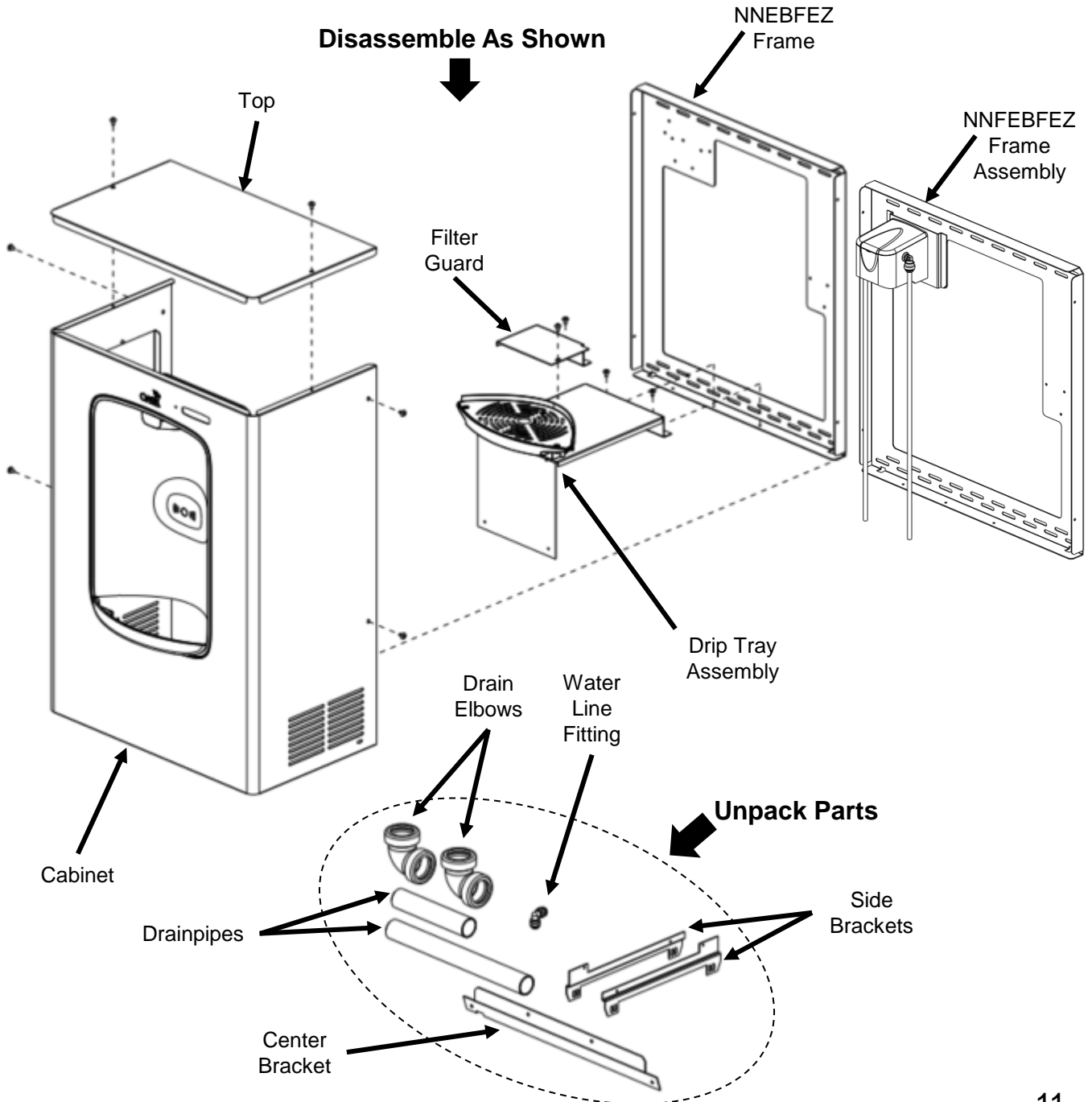
SINGLE LEVEL INSTALLATION

- **Assembly of NNEBFEZ & NFEBFEZ Cabinet**
- **Wiring**
- **Plumbing**

Section 4: Installation

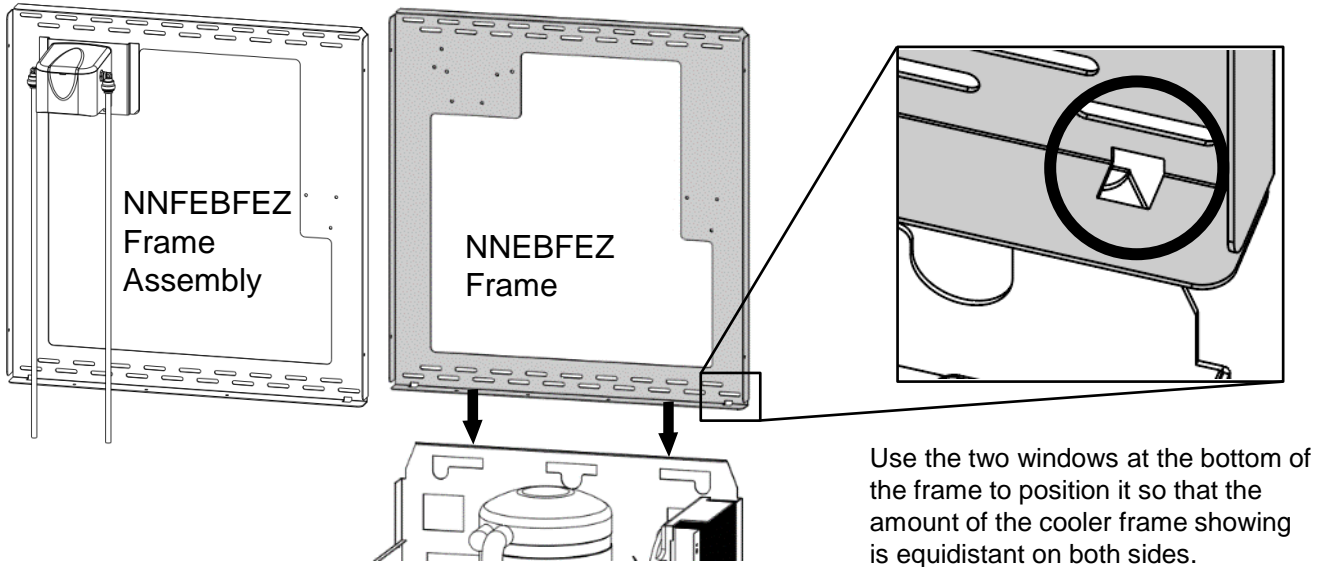
1. The NNEBFEZ and the NNFEBFEZ come partially assembled for shipping. Remove the kit from the packaging and separate it into the assemblies and components shown below. **Be sure not to misplace the provided mounting screws and insulated terminals.**

Tool Needed: T15 Torx bit

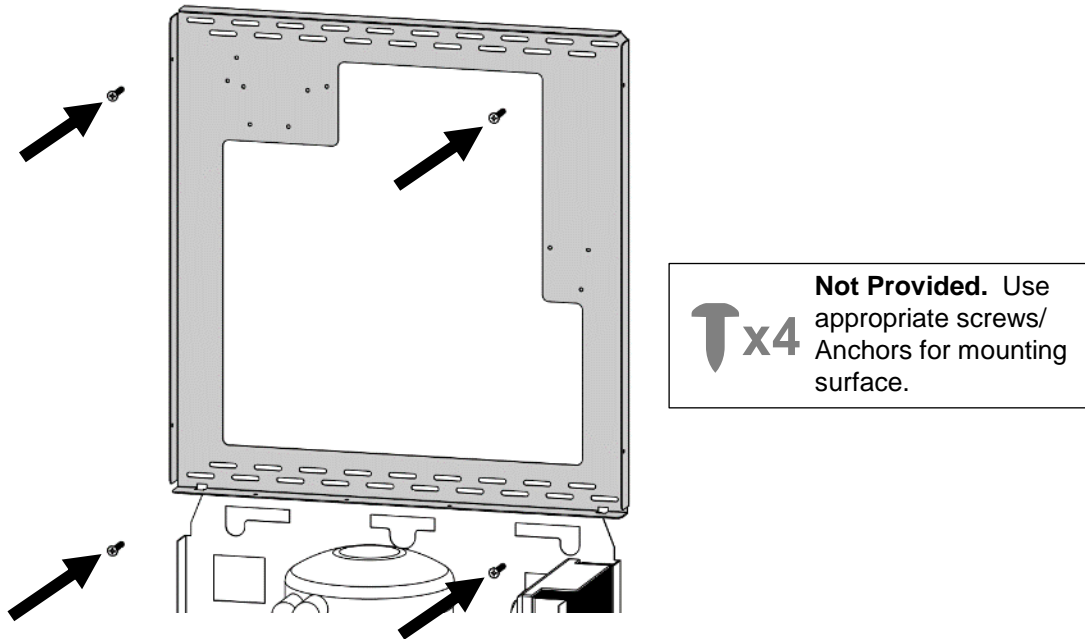


Section 4: Installation

- Without taking the cooler off the wall, place the retrofit frame against the wall and set it onto the top flange of the cooler frame.

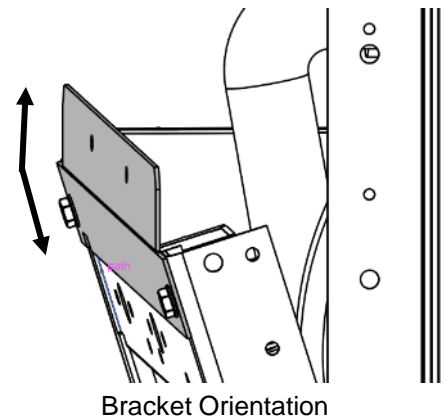
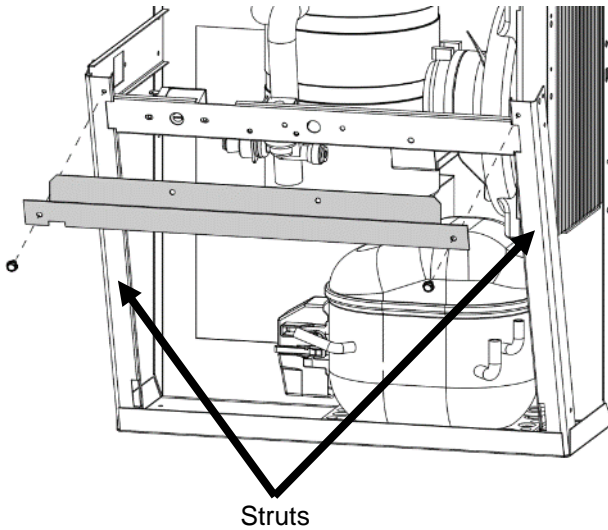


- Affix the frame to the wall with at least 4 anchors into any appropriate anchor points through the staggered slotted holes. **Be careful to ensure the frame stays centered on the cooler frame.**



Section 4: Installation

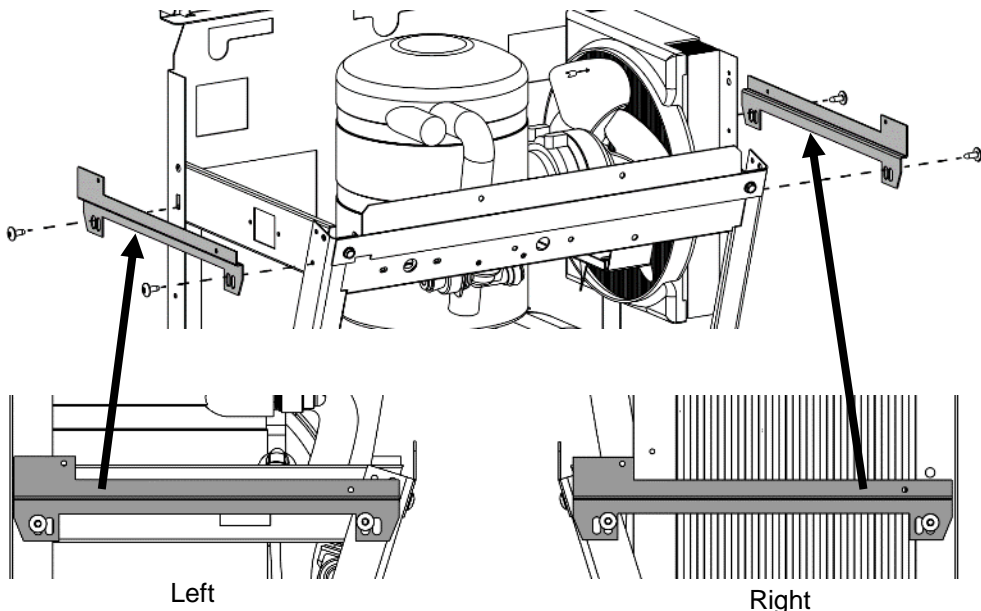
4. Assemble the center bracket to the holes in each of the cooler struts.



Tx2

#10 Hex Screws
- or -
#10, T20 Torx Screws
(original to fountain unit)

5. Assemble the two side brackets to the cooler frame using the slotted holes on the bottom with two #10 screws for each bracket. Ensure that the brackets are oriented as shown below.



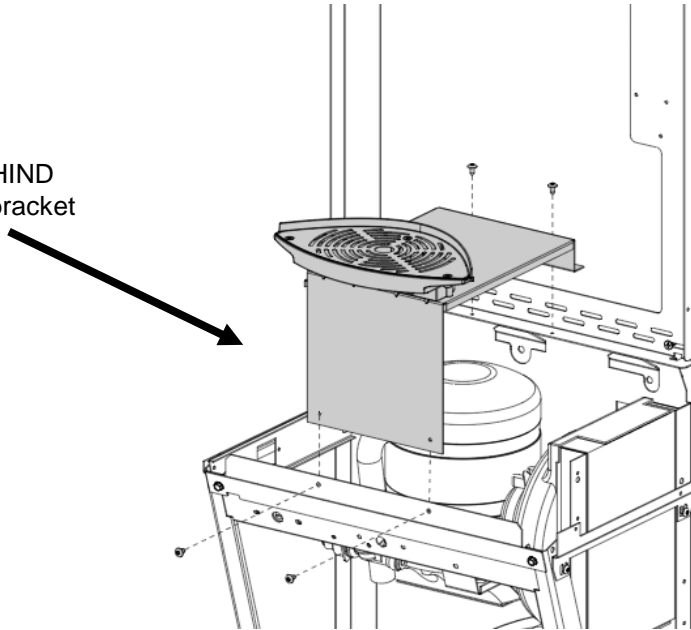
Tx2

#10 Hex Screws (each bracket)
- or -
#10, T20 Torx Screws (each bracket)
(original to fountain unit)

Section 4: Installation

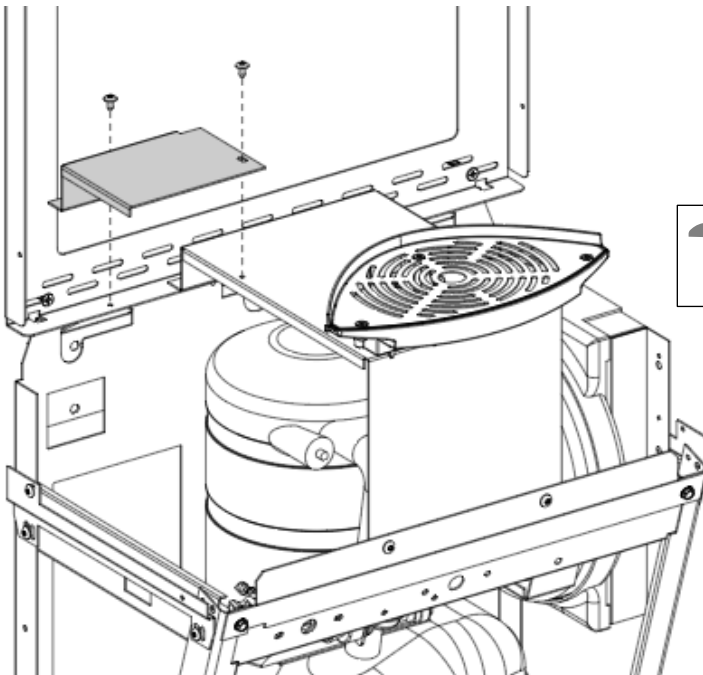
6. Install the drip tray support bracket (keep drip tray pre-assembled) to the center bracket and frame using 4x, #8 Torx screws which are provided in the kit.

Put BEHIND
center bracket



Tx4 #8, T15 Torx Screws

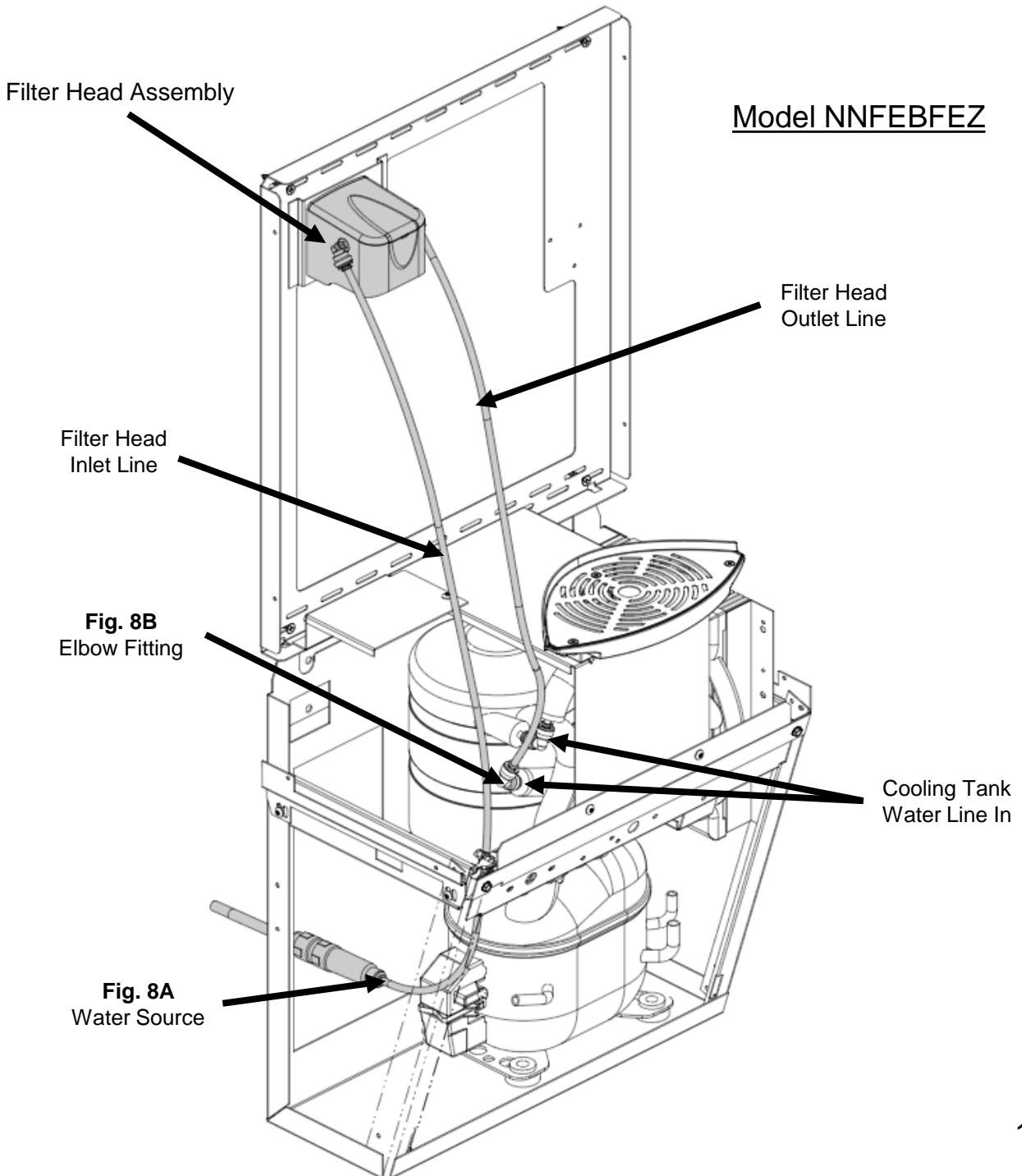
7. Attach the filter guard bracket with 2x, #8 Torx screws to the frame and drip tray support bracket. This bracket helps to prevent the filter cartridge from falling into the cooler unit below during installation or replacement.



Tx2 #8, T15 Torx Screws

Section 4: Installation

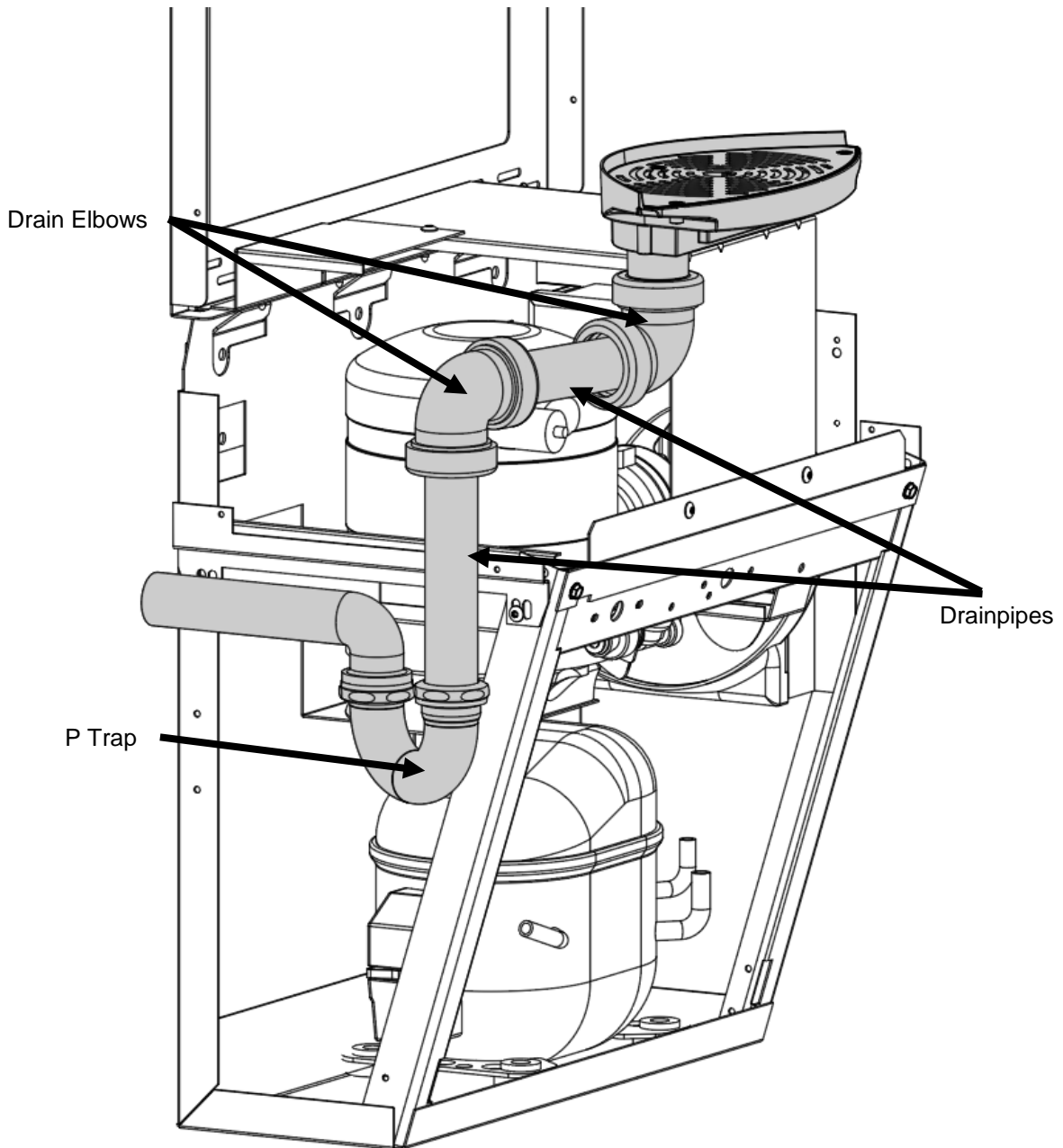
8. Filtered Model: Insert Filter Head Inlet Line into water source (Fig. 8A). Install filter cartridge to filter head assembly. See instructions on filter cartridge for Installation Instructions and for Filter Flushing Instructions. Direct Filter Head Outlet Tube to a container to collect water for flushing the filter. Turn on water. Flush until water is clear. When flushing is complete, turn off the water and insert Filter Head Outlet Tube into elbow fitting (provided) (Fig. 8B).



Section 4: Installation

9. Attach one of the drain elbows to the drip tray stem. Insert the drainpipe provided into the elbow and then attach another elbow onto the pipe. Use the remaining drainpipe and connect the drip tray drainage system to the installed P-trap.

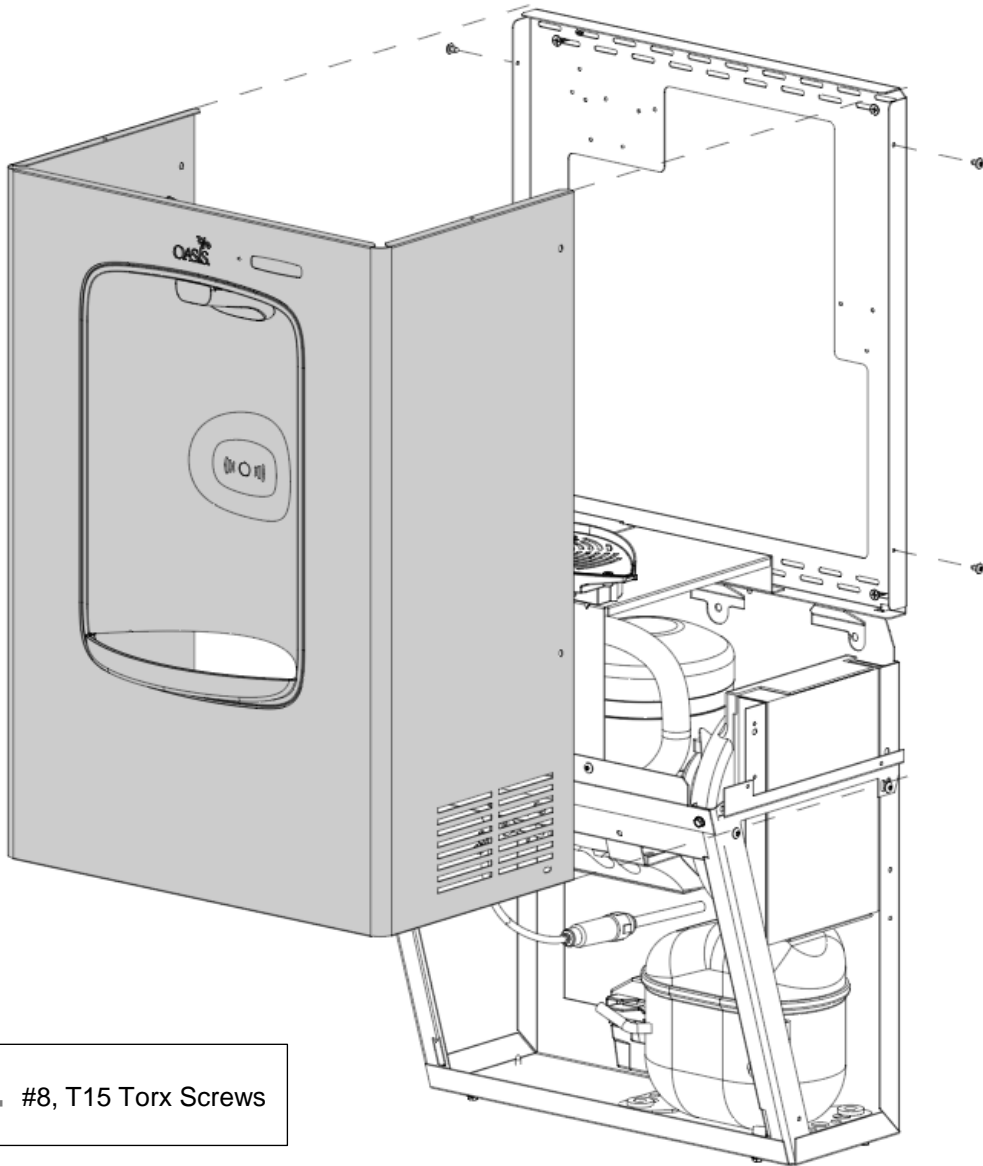
NOTE: Drainpipes will need to be positioned and cut to length as needed.



Section 4: Installation

10. Assemble NNEBFEZ or NNFEBFEEZ wrapper to the installed frame. Rest the alcove on the drip tray and ensure the wrapper walls rest OUTSIDE of the frame and side brackets.

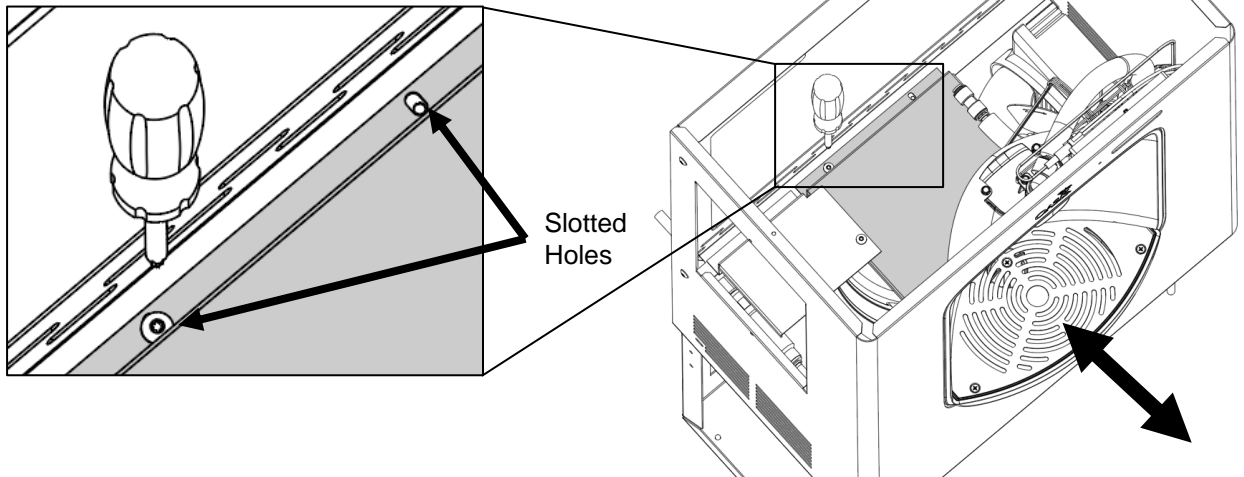
NOTE: The drip tray will hold the weight of the wrapper but it is recommended to keep a hold on the unit during installation for safety.



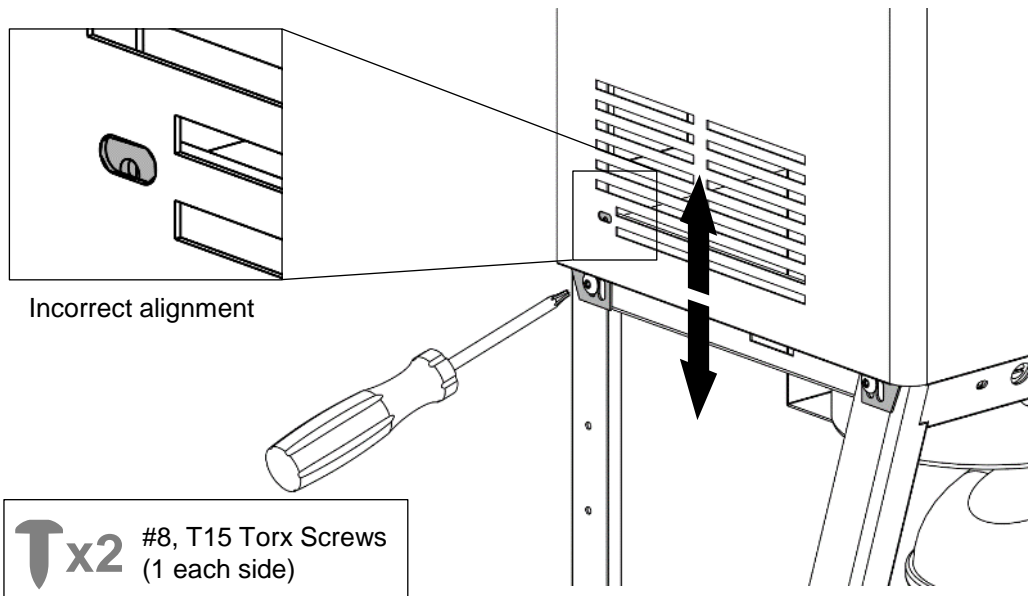
Tx4 #8, T15 Torx Screws

Section 4: Installation

11. If the outer edge of the drip tray is not properly aligned, loosen the screws on the back of the drip tray support bracket and slide the bracket forward or backward as needed. Then retighten the screws.

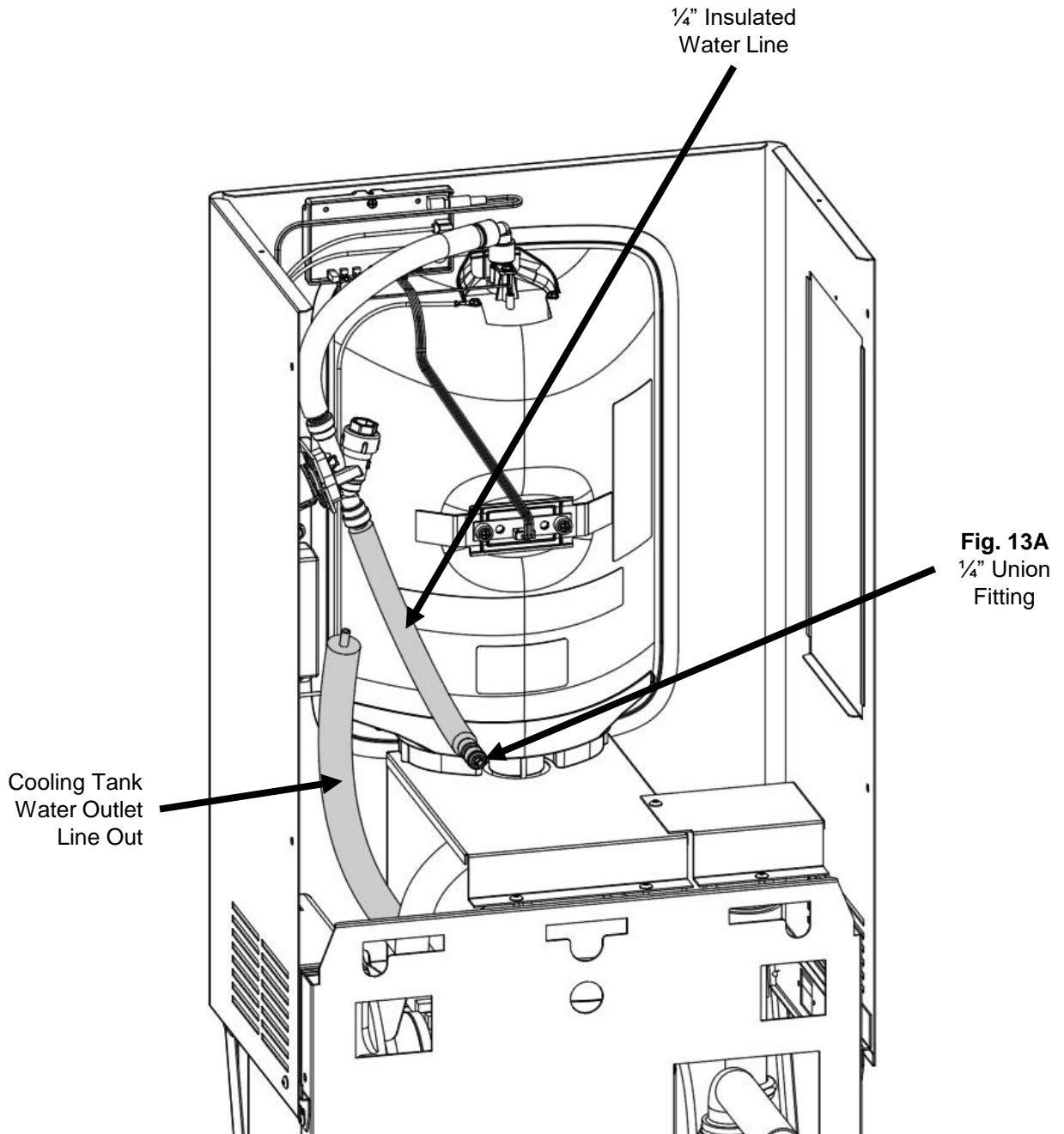


12. Once the wrapper has been installed, loosen the side bracket mounting screws until the bracket can be slid up and down. Adjust the bracket until the mounting hole screws through the slot and then drive in one of the #8 Torx screws and then tighten the two #10 mounting screws.



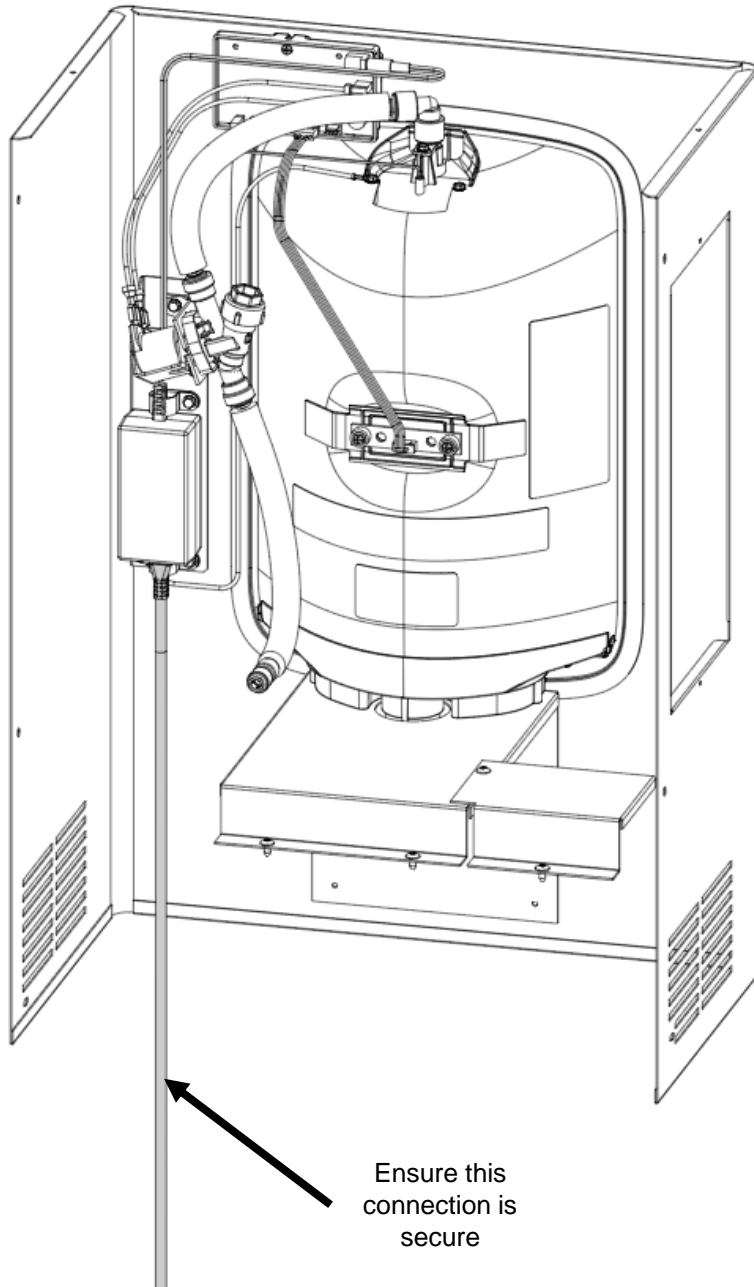
Section 4: Installation

13. Attach the 1/4" union fitting to the Cooling Tank Water Outlet Line Out (Fig 13A).



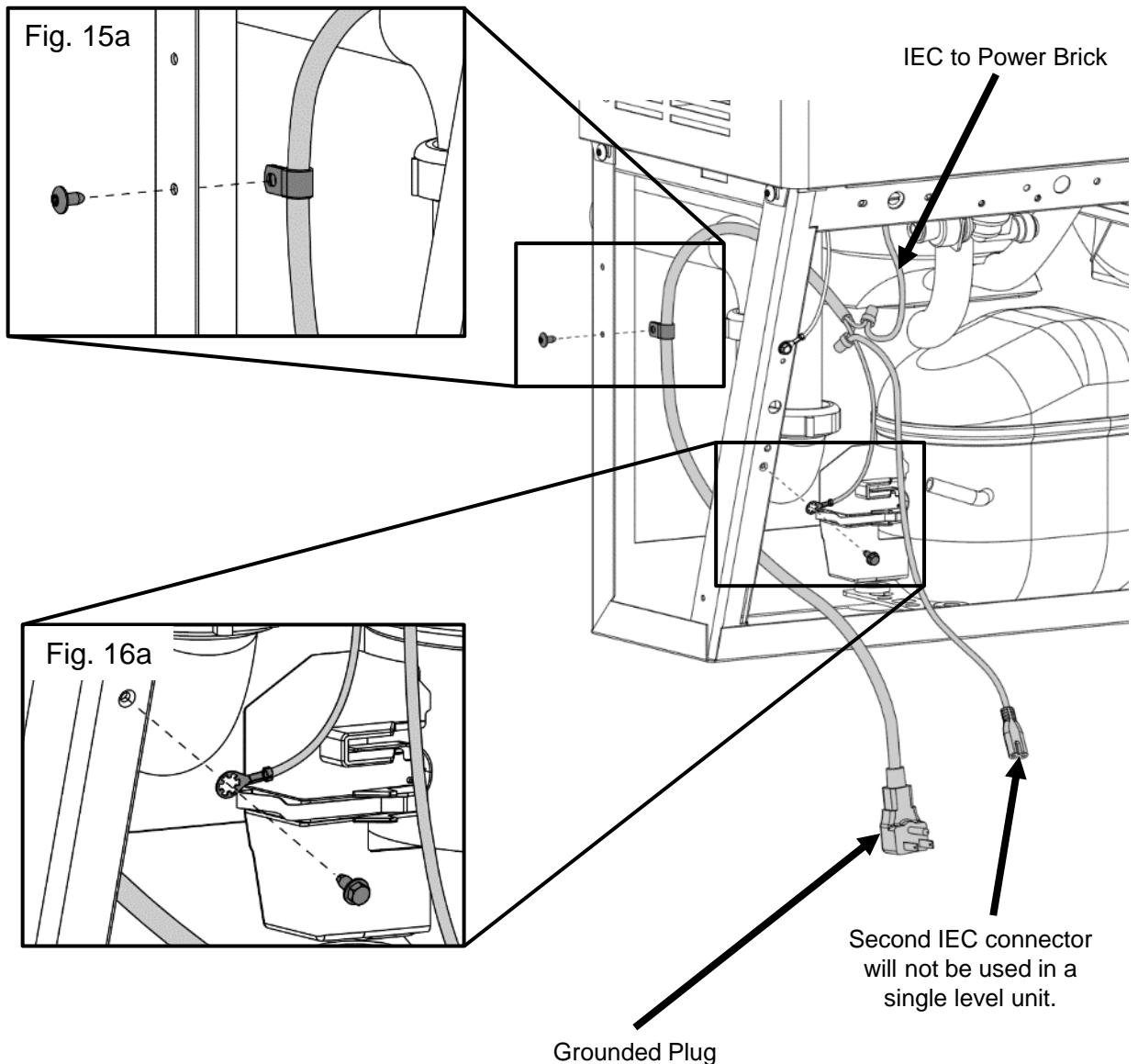
Section 4: Installation

14. Guide the power cord down to the lower portion of the cooler. Ensure that the power cord does not become entangled with other components and ensure that the IEC connector is firmly installed into the power brick.



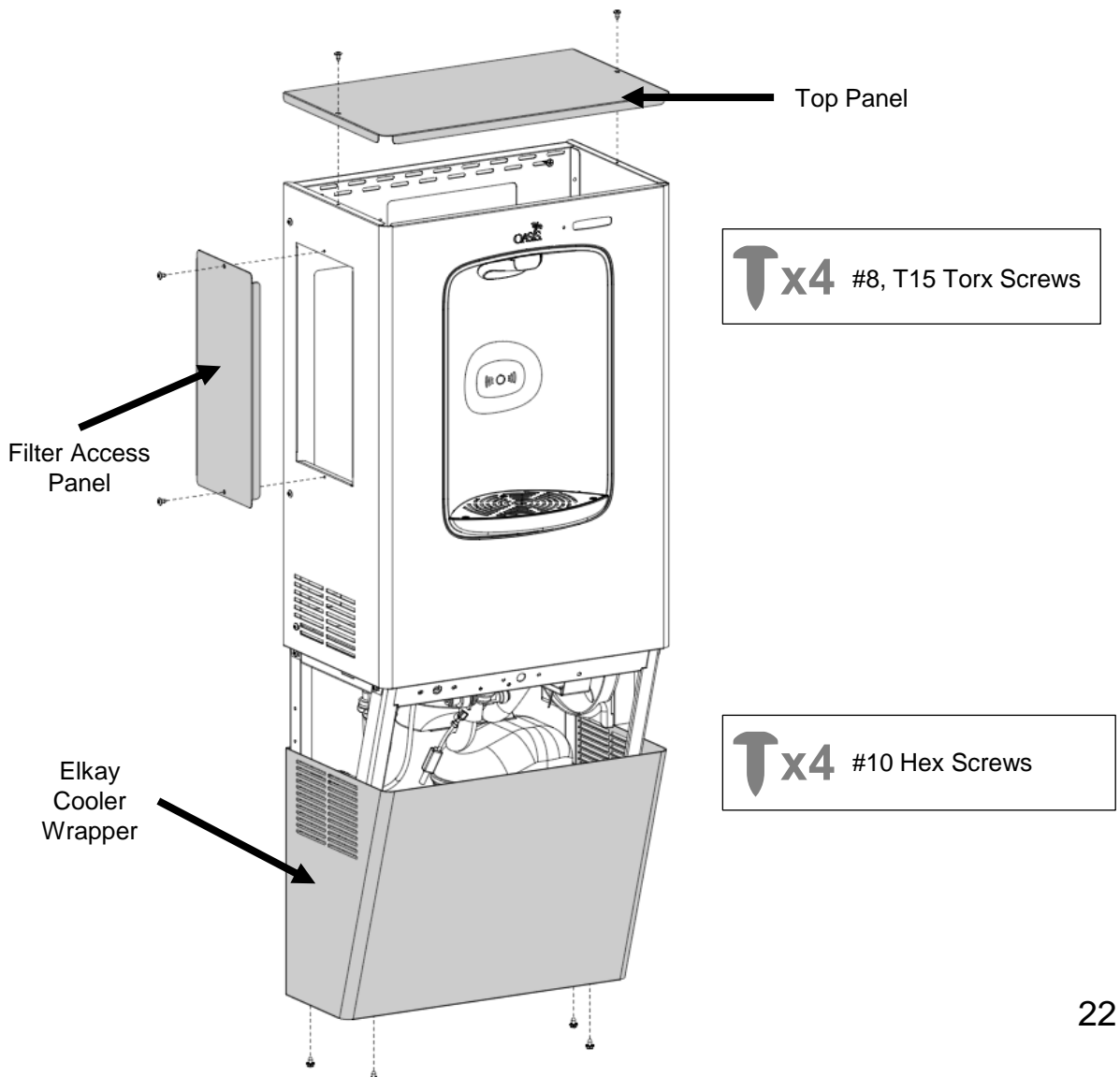
Section 4: Installation

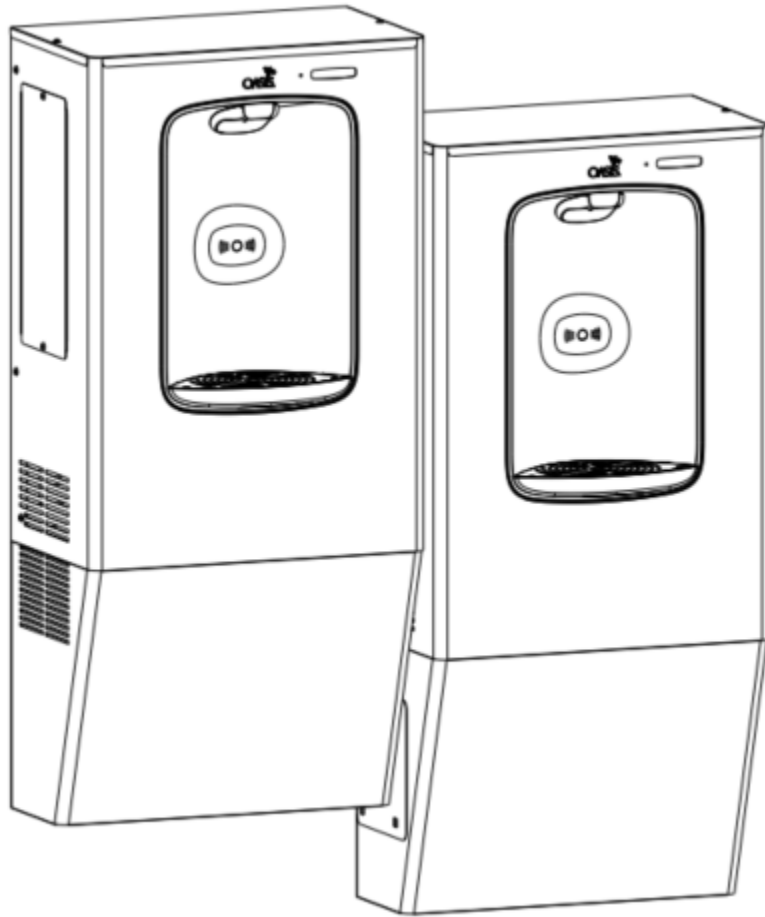
15. Install the provided strain relief P-Clip to the power cord roughly 36" from the grounded plug. Attach it to the back side flange of the fountain frame with a #8 Torx screw. **(Figure 15a)**
16. Attach the ring terminal to the ground screw on the left side of the fountain strut through the lower flared hole using the provided #8 thread cutting hex Screw. **(Fig 16a). Do not remove/alter the original ground.**
17. Finish by plugging in the grounded plug into the duplex socket.



Section 4: Installation

18. Turn on water supply and check for any leaks.
19. Ensure that nothing is obstructing the fan blade.
20. Plug the Elkay power cord into the wall outlet.
21. Test the contactless bottle filler by placing a water bottle into the alcove of the bottle filler. Check for leaks.
22. Install the cabinet top panel, filter access panel and Elkay cooler wrapper.
23. The NNEBEFEZ and NNFEBFEZ comes pre-programmed from the factory. For programming options, please refer to **page 35**.





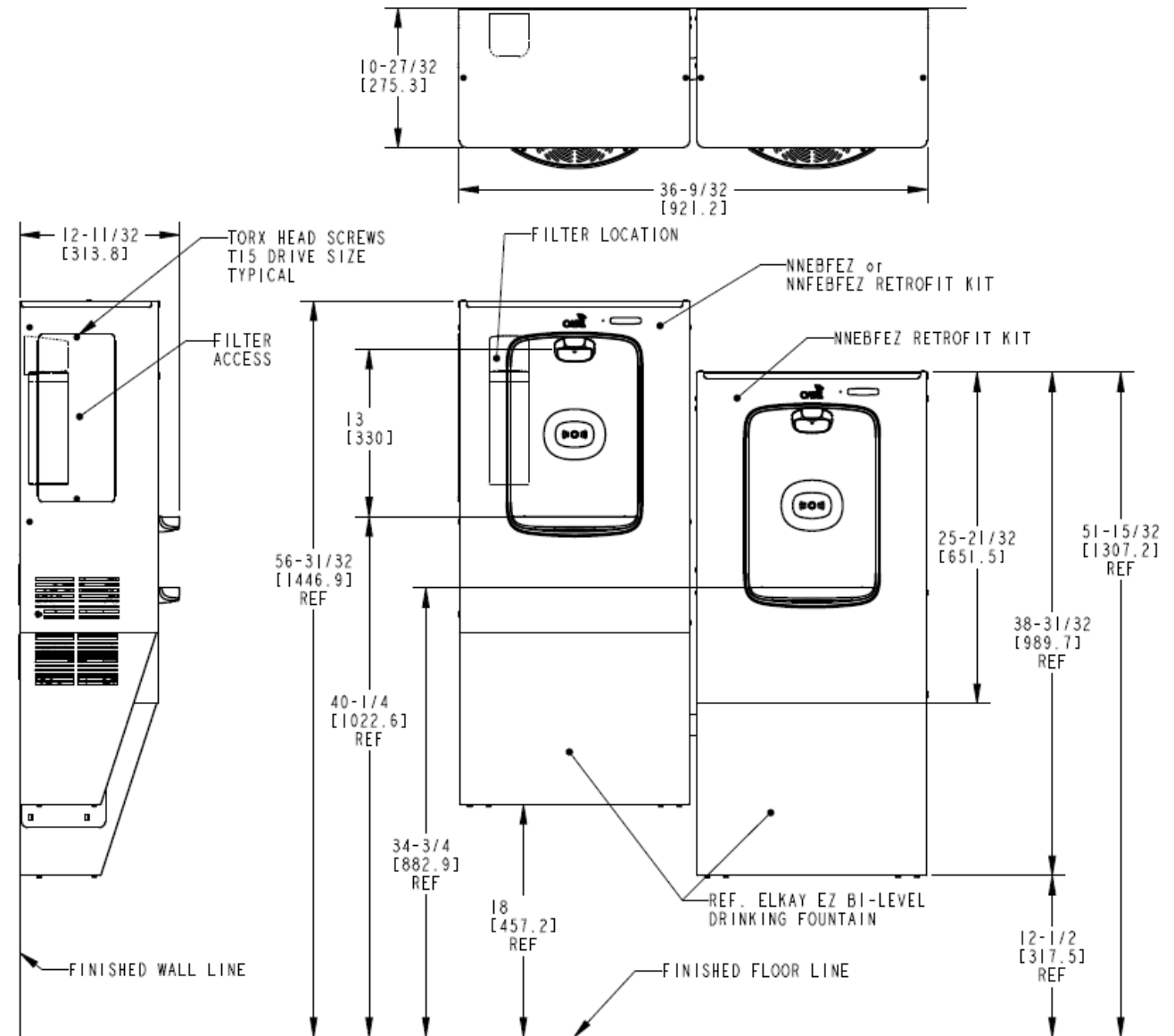
SPLIT LEVEL INSTALLATION

- **Assembly of Split Level NNEBFEZ and NNFEBFEZ Cabinet**
- **Wiring**
- **Plumbing**

Section 5: Rough In Drawing

NN(F)EBFEZ Split Level: Left Side or Right Side High

REQUIRES 2X NNEBFEZ UNITS or 1X NNFEBFEZ and 1X NNEBFEZ



NOTES:

1. ALL DIMENSIONS ARE IN INCHES.
DIMENSIONS IN BRACKETS [] ARE MILLIMETERS.

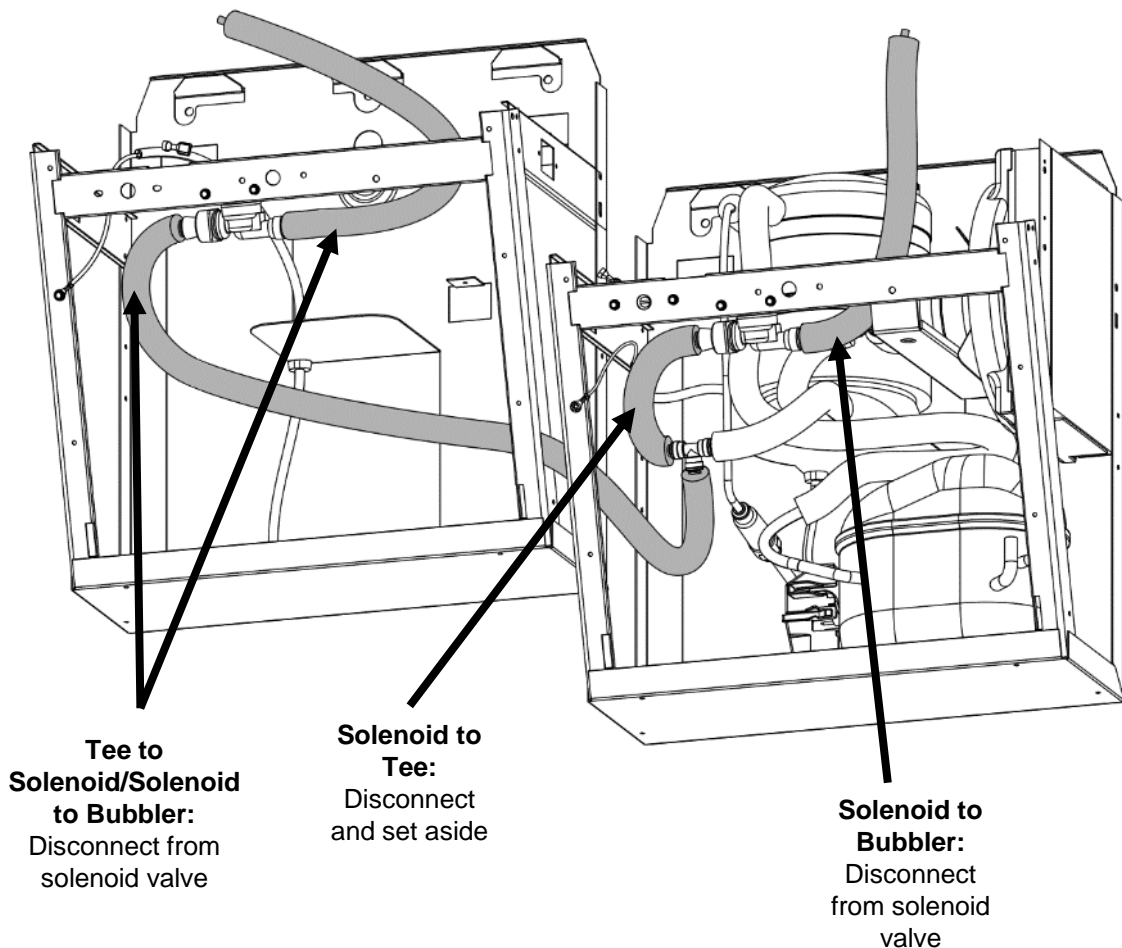
Section 6: Split Level Preparation

1. Remove the fountain wrappers and noses from each unit as shown on **pages 5-6** to prepare the units for the NNEBFEZ or the NNFEBFEZ installation. Unplug **BOTH** units and shut off their water source.

Cover any bare terminals. Refer to **page 7**.

2. Begin split level assembly by disconnecting and removing any drainpipes except for the p-trap and disconnecting the water lines between the fountain units. **Ensure water to the units has been turned off.**
3. Since the split level fountain cold tank is already pressurized, disconnect all water lines from the solenoid valves in both the refrigerated and dummy unit. Do not discard any water tubing.

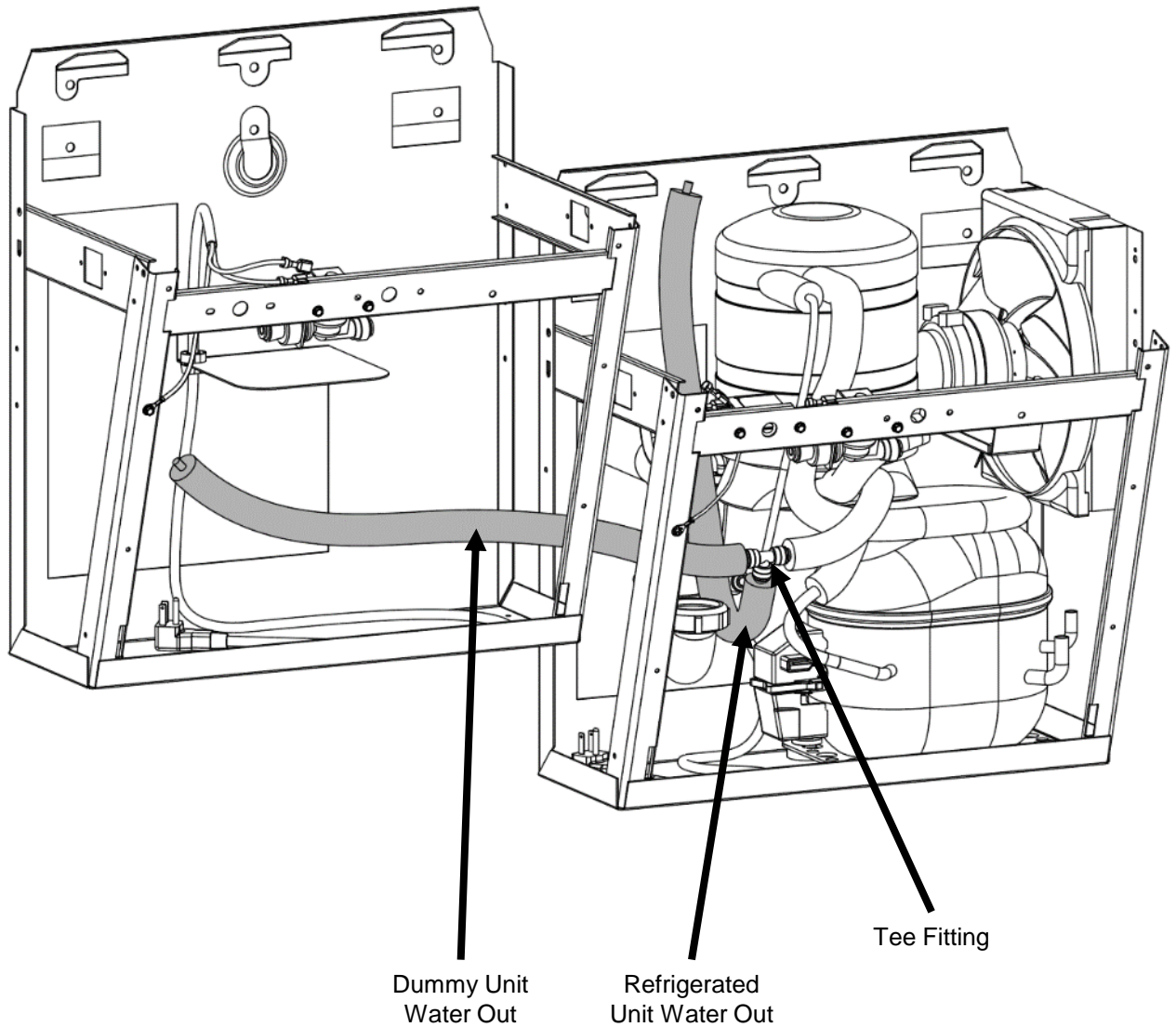
ORIGINAL CONFIGURATION



Section 6: Split Level Preparation

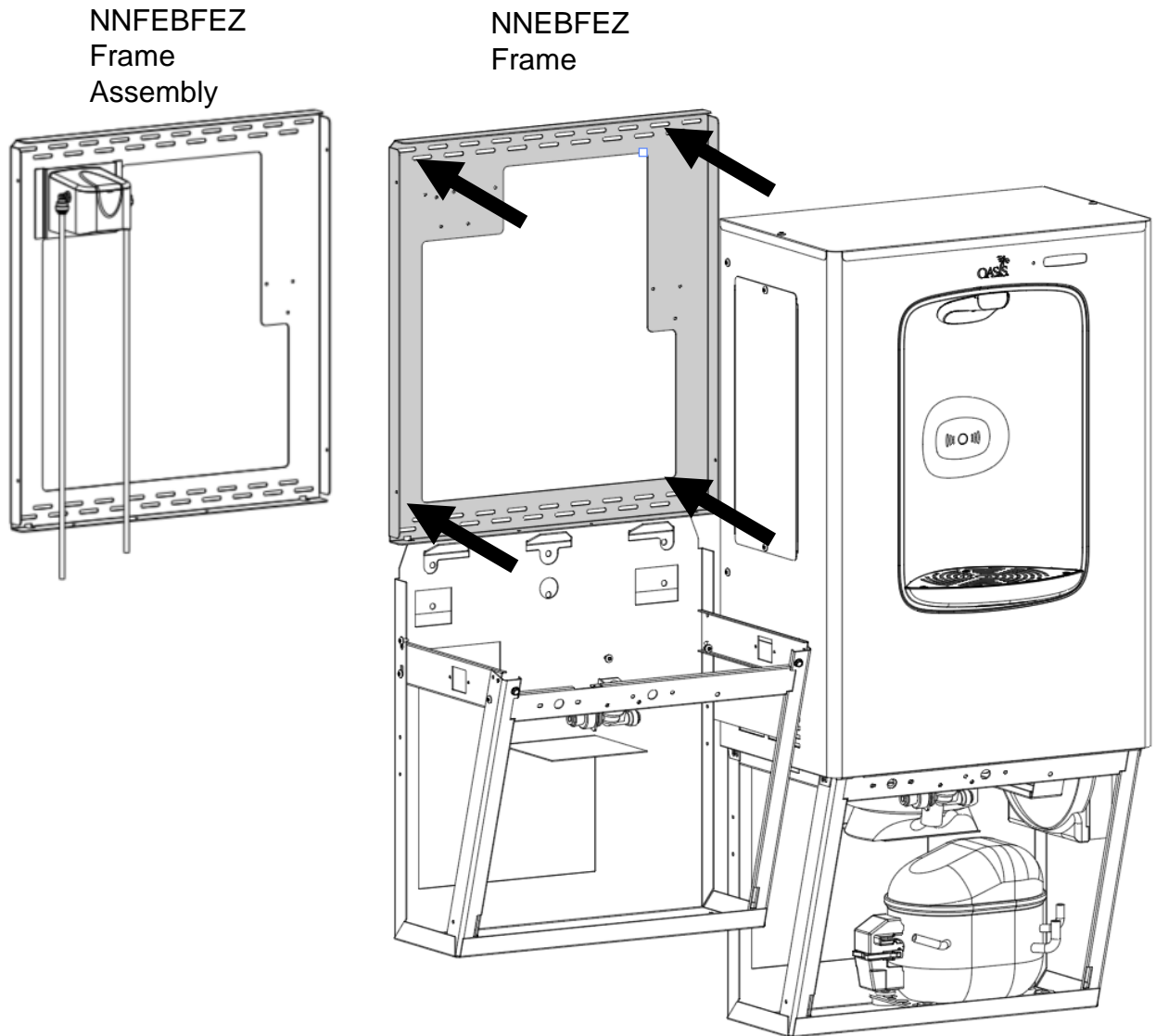
4. The final result should have the water line from the cold tank water outlet connect to the tee and split off to the dummy unit and up to the top of the refrigerated unit.

NNEBFEZ or NNFEFBEZ CONFIGURATION



Section 6: Split Level Preparation

5. Set the frame from the second NNEBFEZ kit or the Filtered NNFEBFEZ kit onto the top of the dummy unit frame and mark the location for each anchor. **PRE-DRILL** the holes for your chosen anchors (not included).

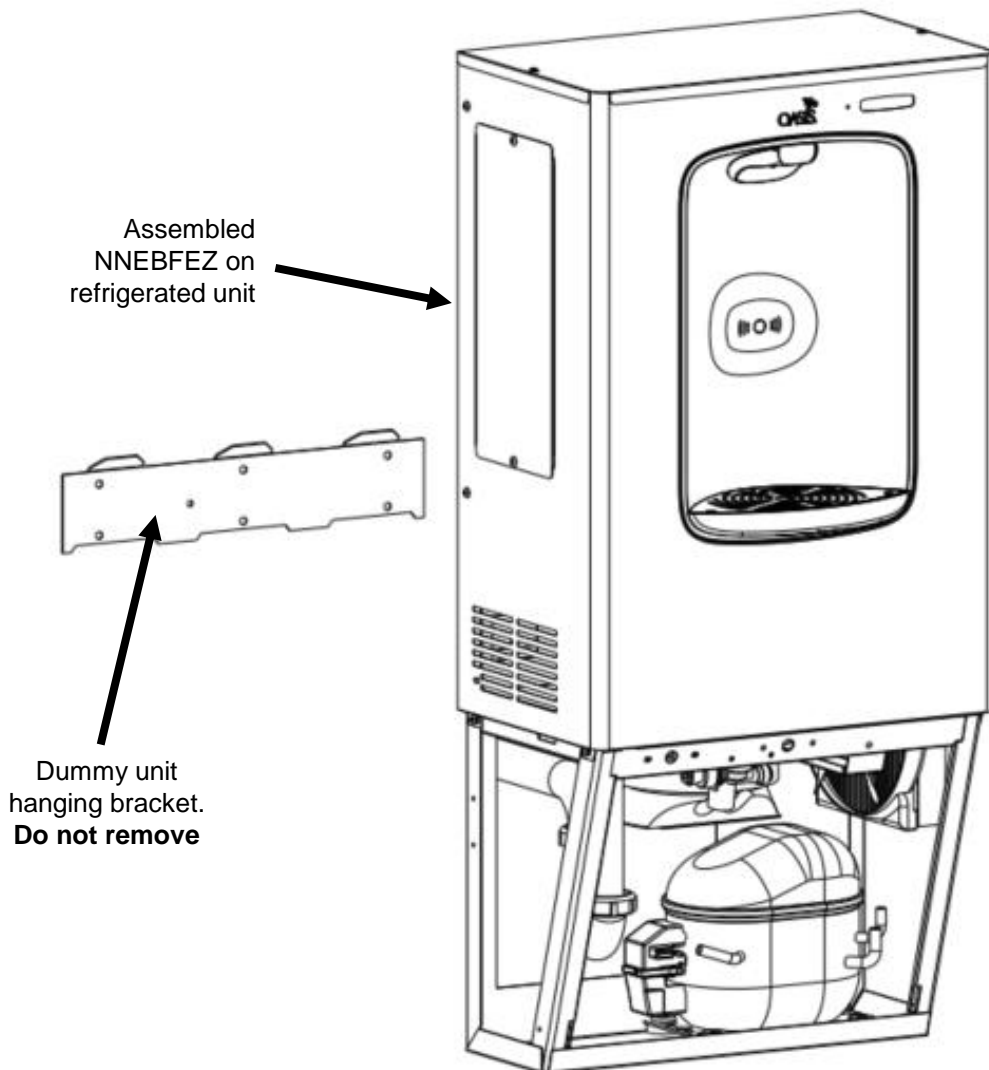


Section 7: Installation

6. Remove the dummy unit from the wall hanger and place it out of the way. Completely assemble a NNEBFEZ to the **refrigerated side first (Refer to pages 11-19)**.

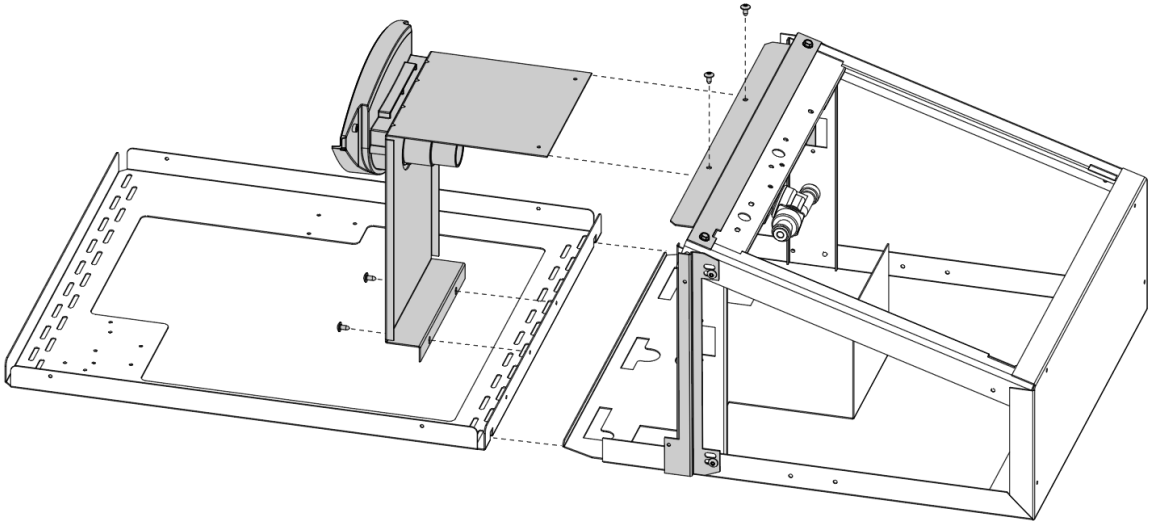
Follow all steps on page 16 with the provided drain supplies, but do not connect to the P-trap or other existing pipes.

Note: The fountain frame may be secured by two anchors at the lower corners. Remove the anchors and set aside until the unit is ready to be reinstalled to the wall.

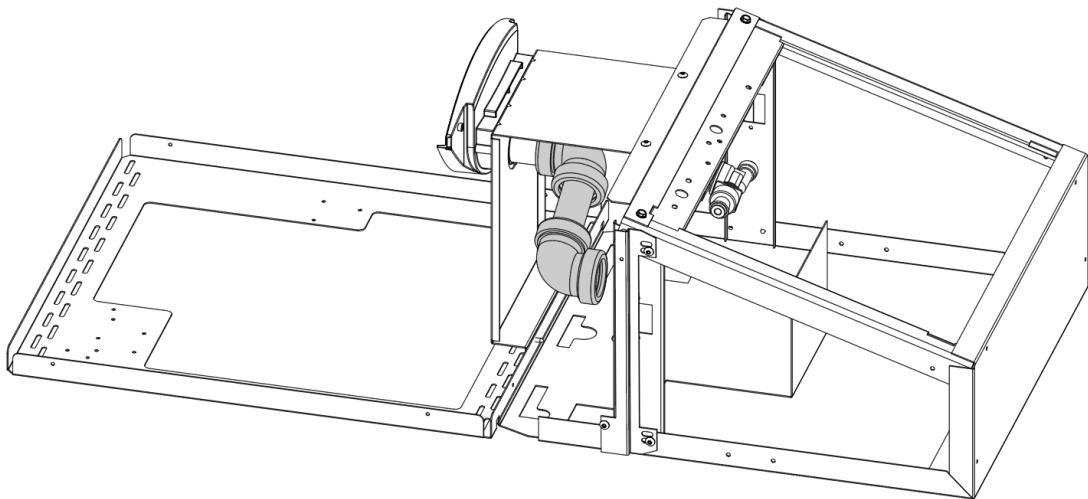


Section 6: Installation

7. Take the second NNEBFEZ or the Filtered NNFEBFEZ out of the carton and prepare the unit as shown on **page 11**. Assemble the side brackets and center bracket to the dummy unit. **Refer to page 13.**
8. Lay the dummy unit on the floor and position the frame so that it sits on the top flange of the fountain frame, then assemble the drip tray assembly bracket to the unit. **Refer to page 12.** It is recommended that the filter guard bracket is not installed in this step.



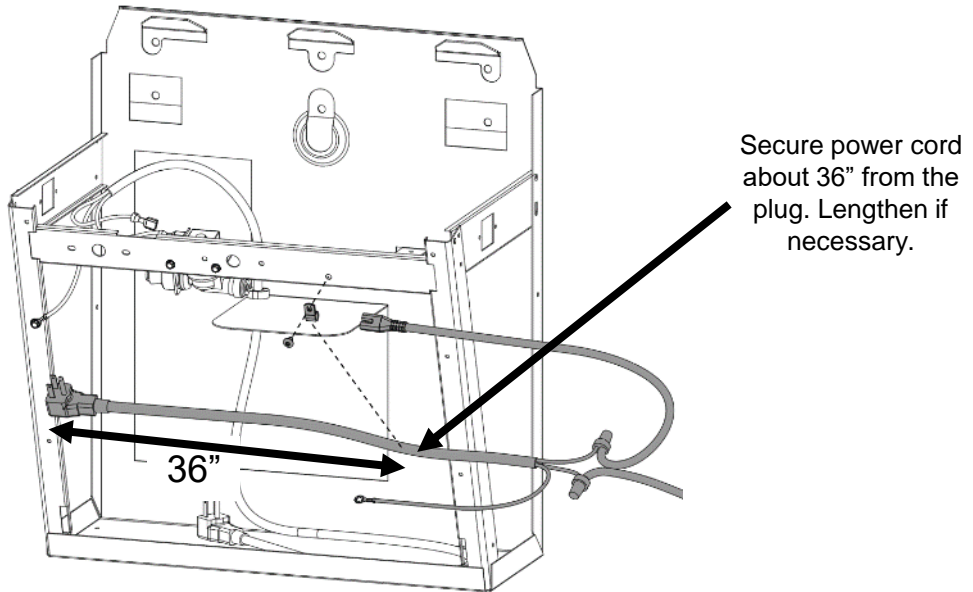
9. Assemble the provided drain elbows and short drainpipe to the drip tray drain.



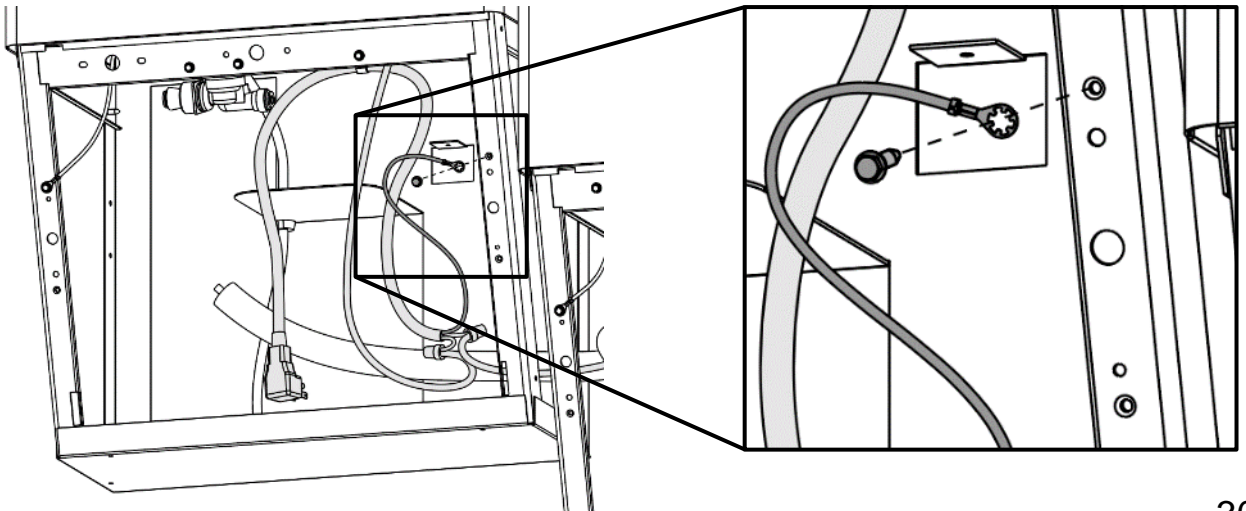
Section 6: Installation

10. Assemble the supplied P-Clip roughly 36" from the grounded plug on the supplied power cord, then secure the P-Clip to the inside surface of the horizontal strut of the fountain frame with a #8 Torx screw.

NOTE: Only one of the two power cords from the kits will be used.

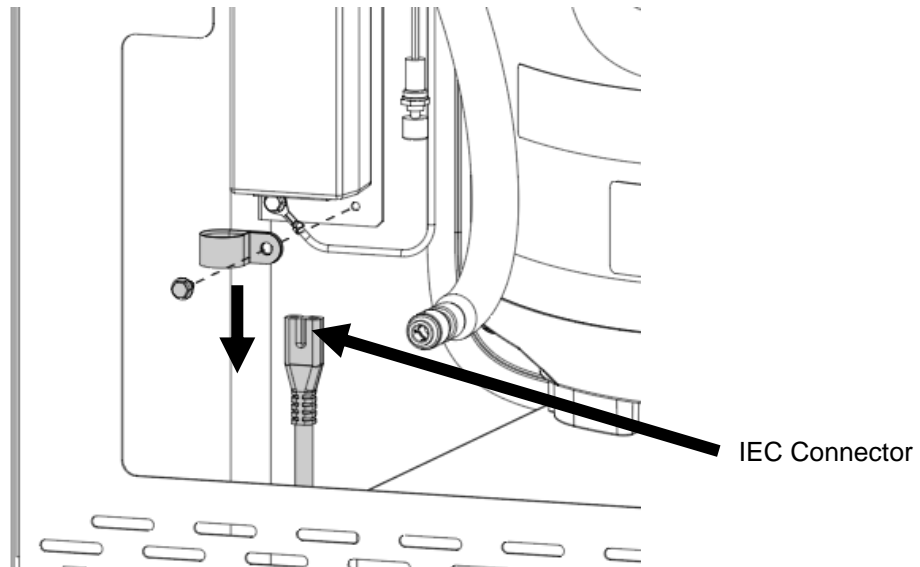


11. Install the ring terminal to the inside vertical strut of the dummy unit with the provided #8 thread cutting hex screw. Screw into one of the empty flared holes of the strut.

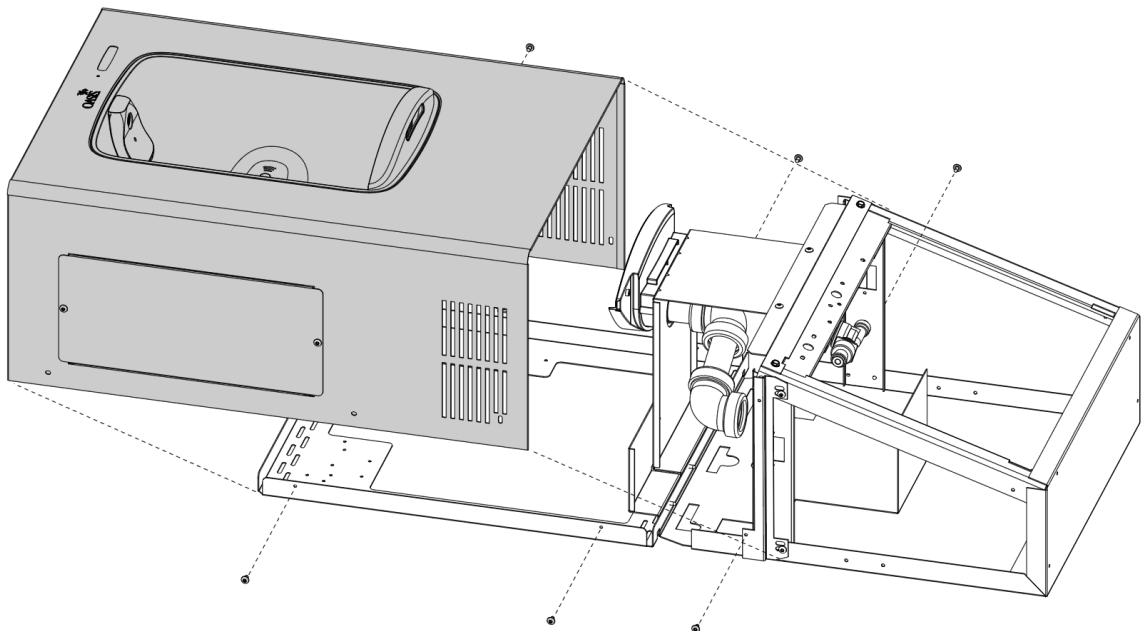


Section 6: Installation

12. Disconnect the IEC connector from the power brick located behind the alcove. Set aside but do not discard the supplied power cord. Do not remove the power brick.

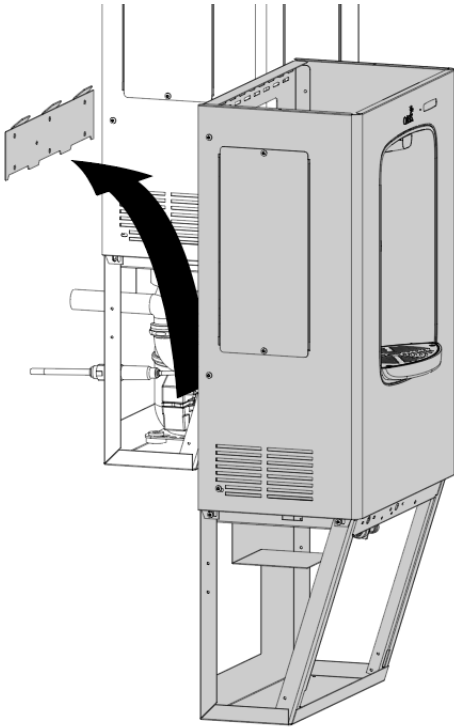


13. Secure the wrapper assembly to the unit by inserting the 6, #8 Torx screws into the frame and side brackets. **Refer to pages 17. Do not perform the steps on page 18 yet.**



Section 6: Installation

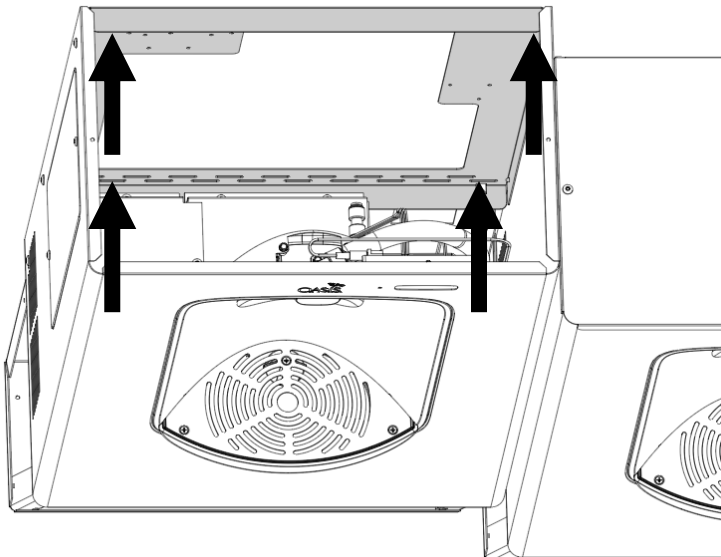
14. Pick up the assembly by taking hold of both the fountain frame and NNEBFEZ or Filtered NNFEBFEZ cabinet, then hang the fountain on the wall hanging bracket.



NOTE: Ensure that the NNEBFEZ or NNFEBFEZ frame sits on top of the fountain frame. Center the cabinet on the frame as shown on **page 12**. Some extra positioning may be necessary.

15. Ensure that the frame is flat against the wall and install your four chosen anchors (not supplied) into the wall to secure the unit. Ensure that the frame does not shift and is still centered, sitting on the frame of the cooler frame.

Once secured, follow **step 11** on **page 18** if necessary.



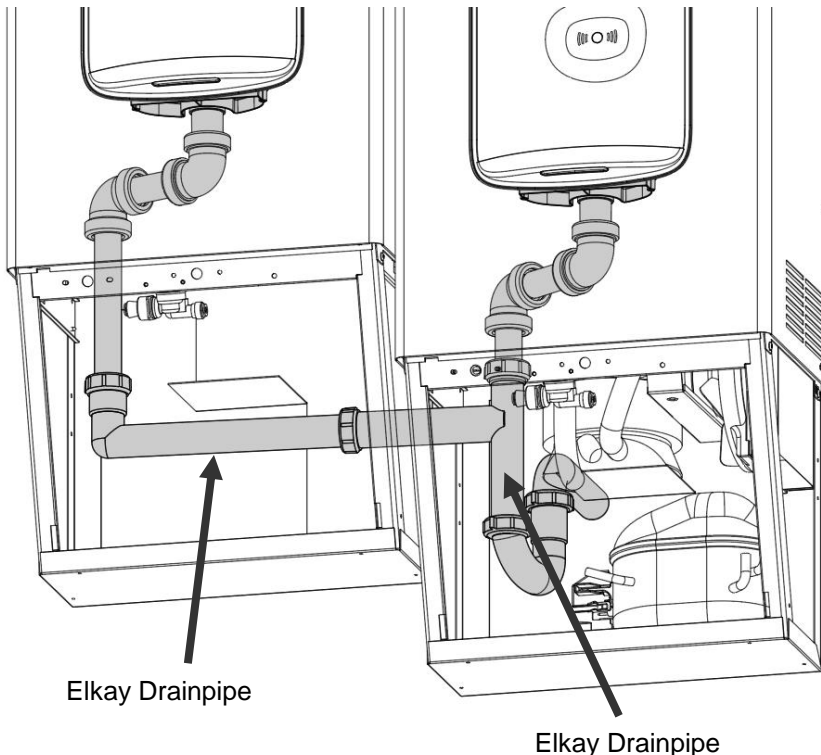
Section 6: Installation

16. After the NNEBFZEZ or the Filtered NNFEBFZEZ has been hung, the fountain frame may not properly sit back on the wall. Loosen the side screws so that the fountain may rest against the wall, then re-tighten the side screws.

NOTE: Only one side screw will be accessible on the side facing the other fountain unit. Loosen the most outward screw to allow the unit to fall into position, then re-tighten.

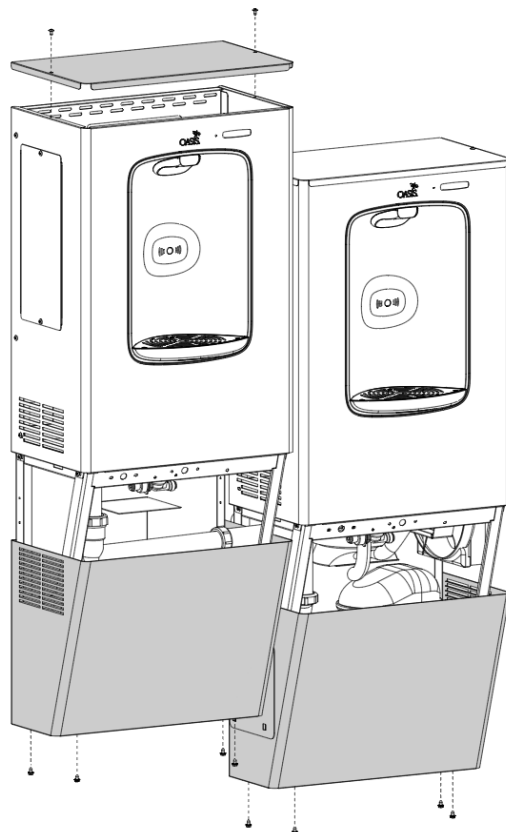


17. Install the provided long drainpipes to the elbow fittings of each unit. Next, install the Elkay drainpipes to connect the drains and then connect to the P-Trap. Cut provided pipes as needed.



Section 6: Installation

18. Connect the provided $\frac{1}{4}$ " union fittings to the water-out lines of each fountain (see **page 26**). Connect the provided $\frac{1}{4}$ " water lines and sponge tubing from each kit to the fountain water out lines and install into the solenoid located on top of the alcove. Reference **page 19**.
19. NNFEFBEZ with Filtration on the dummy unit: Remove $\frac{1}{4}$ "OD water source line from refrigerated unit (see **page 9**). See **page 15** for flushing the filter, connecting the filter head inlet line and the outlet line to the refrigerated unit.
20. Turn on the water supply and check for leaks.
21. Plug in the power cords for the refrigerated unit and the cord for the NNEBFEZ or Filtered NNFEFBEZ units. DO NOT plug in the dummy unit power cord. Check for any malfunctions.
22. Reinstall the NNEBFEZ or the NNFEFBEZ top panel and fountain wrappers with the appropriate screws.
23. The NNEBFEZ and the NNFEFBEZ comes pre-programmed from the factory. NOTE: The bottle filler program should be set up specific for that installation and for any filters utilized. Refer to "Set-Up Guide for Oasis Hands-Free Bottle Filler."



Installation of the NNEBFEZ or NNFEBFEZ could void the original water fountain warranty.

Model NNEBFEZ and NNFEBFEZ Chilled Bottle Filler Retrofit Kit for ELKAY EZ8 and LZ8 Water Coolers

Installation Instructions



P/N 030099-703 Rev. A Date: 02/2024

© 2023 LVD Acquisition, LLC

Oasis, Aqua Pointe, Versacooler and VersaFiller are registered trademarks of LVD Acquisition, LLC dba Oasis International

The ELKAY trademark is registered and owned by Elkay Manufacturing Company. OASIS International is not affiliated with Elkay Manufacturing Company in any way. No OASIS International Products are associated or affiliated with, sponsored or endorsed by the Elkay Manufacturing Company.



OASIS INTERNATIONAL
222 East Campus View Blvd.
Columbus, OH 43235
614-861-1350
www.oasiscoolers.com