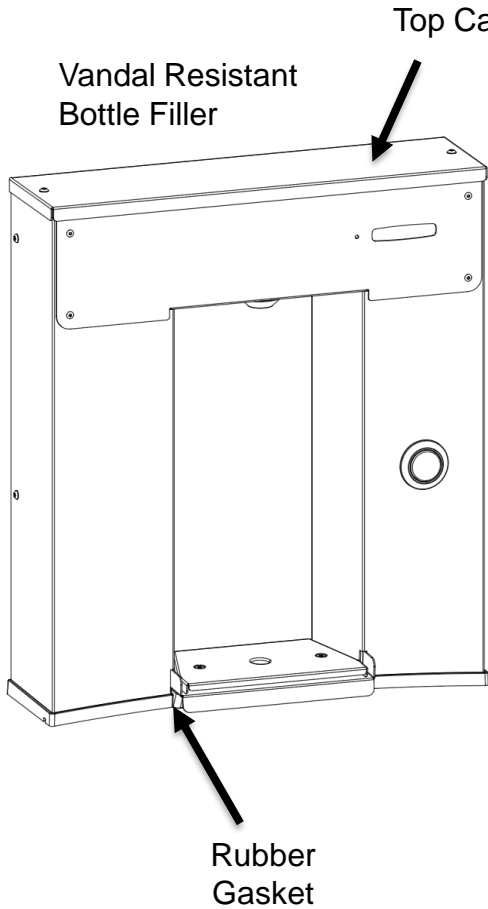


Vandal Resistant Bottle Filler
PW(F)MVBF, PW(F)SVBF

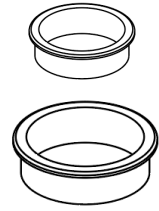
Installation instructions

Section 1: Getting Started

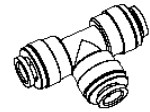
What's Included:



38" of 1/4" OD plastic tubing with 38" of sponge tubing insulation



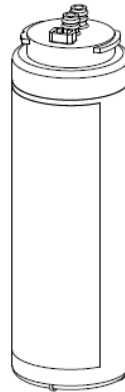
Rubber Grommets
1.50" and 1.25"



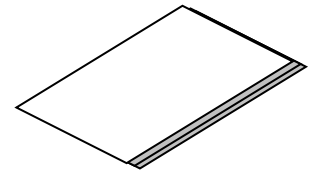
Quick connect tee fitting



Quick connect elbow fitting



Filter
(Filtered Models Only)



Installation instructions

Tools required:

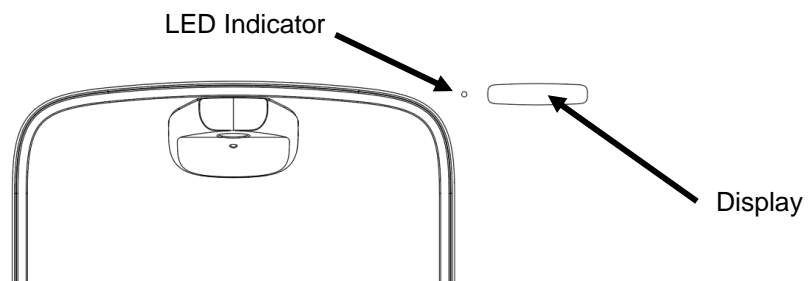
- 3/8" pilot drill and either a step drill bit up to 1 1/4" diameter that will drill through SS top, or 1 1/4" diameter punch die (retrofit version only)
- Electric drill; wrench for punch die
- Small tubing cutter
- 1/4" nut driver
- #2 Phillips screwdriver
- T15 tamper resistant Torx bit driver

Section 2A: IMPORTANT REQUIREMENT

For Electronic Model:

CAUTION: ENSURE BOTTLE FILLER IS PROPERLY GROUNDED. IT IS REQUIRED TO ATTACH THE LONG GREEN GROUND WIRE TO THE FRAME ASSEMBLY. REFER TO THE STEPS DESCRIBED ON STEPS 3-5 ON PAGE 19.

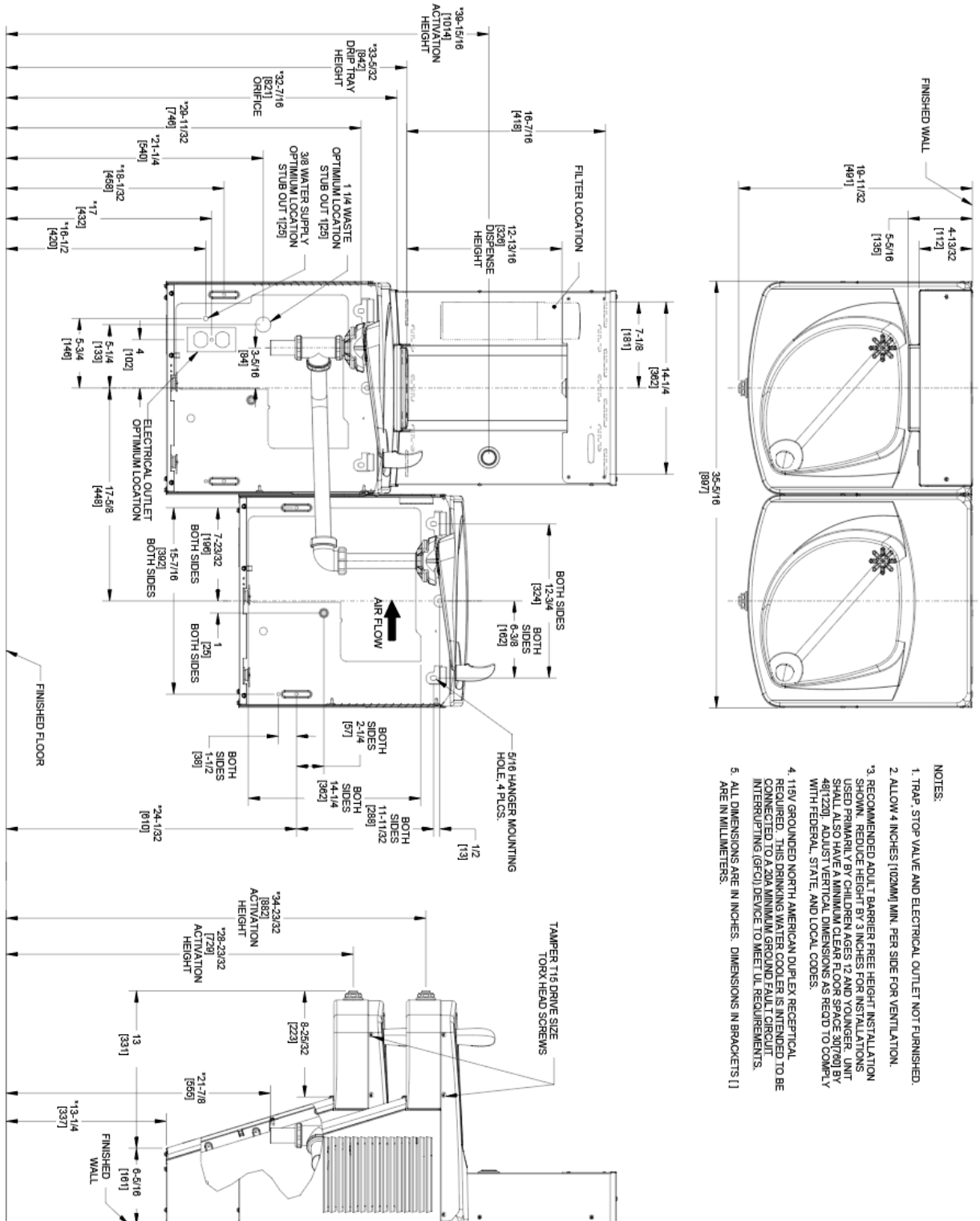
Section 2B: LED Indicator Key



LED Color	Display	Condition	Action
Green	"BOTTLES SAVED"	Standby mode – filter life <80% used.	No action needed.
Yellow	"BOTTLES SAVED"	Standby mode – filter life >80% used but <100%.	Order new filter.
Red	"BOTTLES SAVED"	Standby mode – filter life =100% used.	Replace the filter.

Section 3: Rough In Drawing

Oasis PW(F)MVBF & PW(F)SVBF: Versacooler® II Split Level Models with Vandal Resistant Bottle Filler

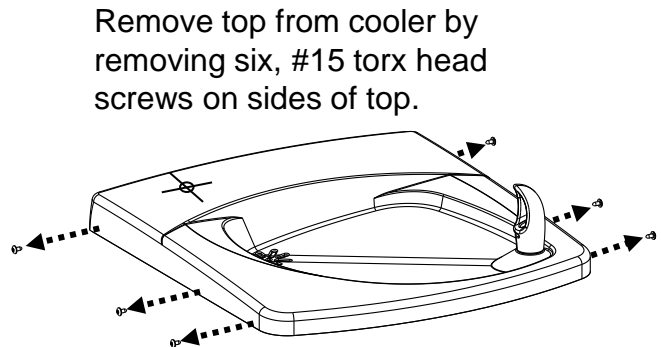
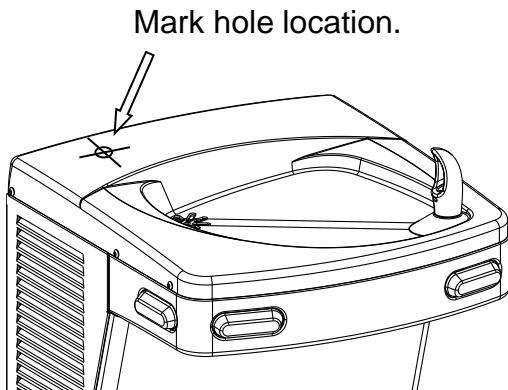


* On split level models, the Vandal Resistant Bottle Filler must be mounted on the low unit in order to meet ADA guidelines.

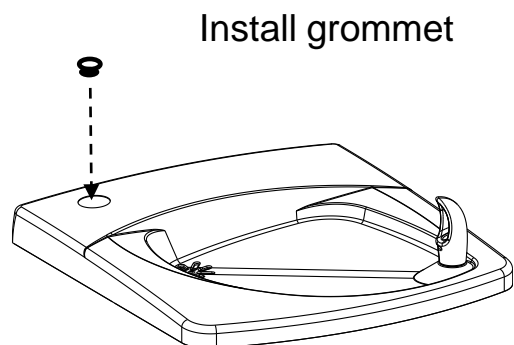
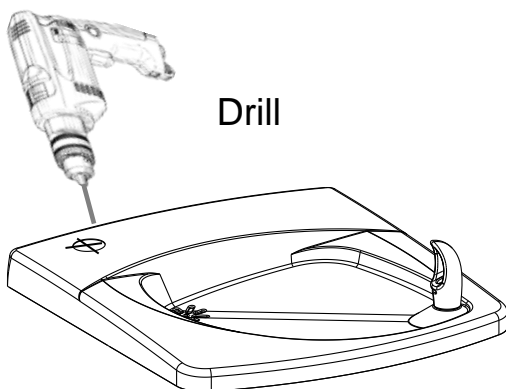
Note: Proceed to Sect 3B Step 5 “Final steps for both product families” if the cooler is purchased “Bottle Filler ready”.

A: Drilling hole in the top for water line connection.

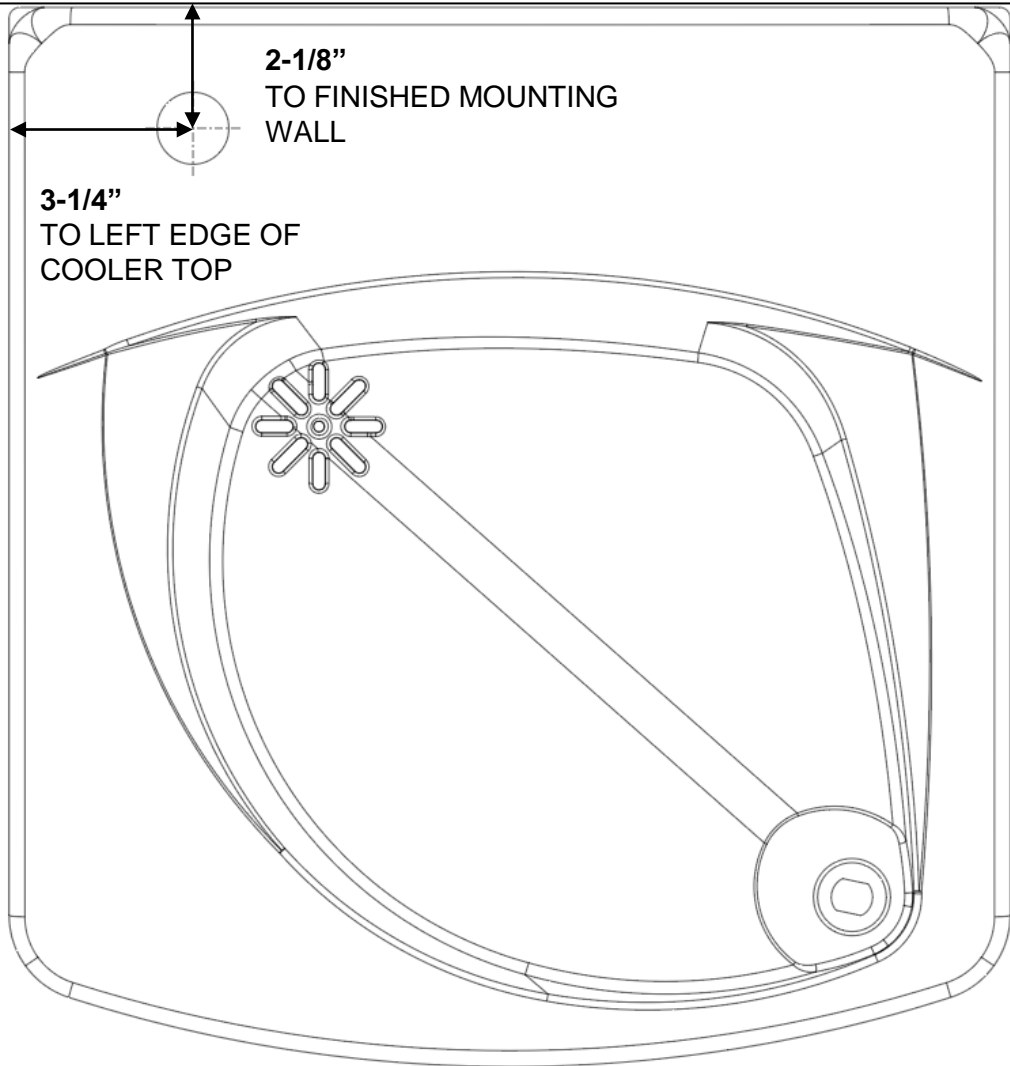
1. Disconnect power by UNPLUGGING unit. It might be necessary to remove the front panel to get access to the power.
2. Turn OFF water supply to the unit. It might be necessary to remove the front panel to access the water stop valve.
3. Mark hole location. See next page for dimensional location.
4. Remove top from unit.



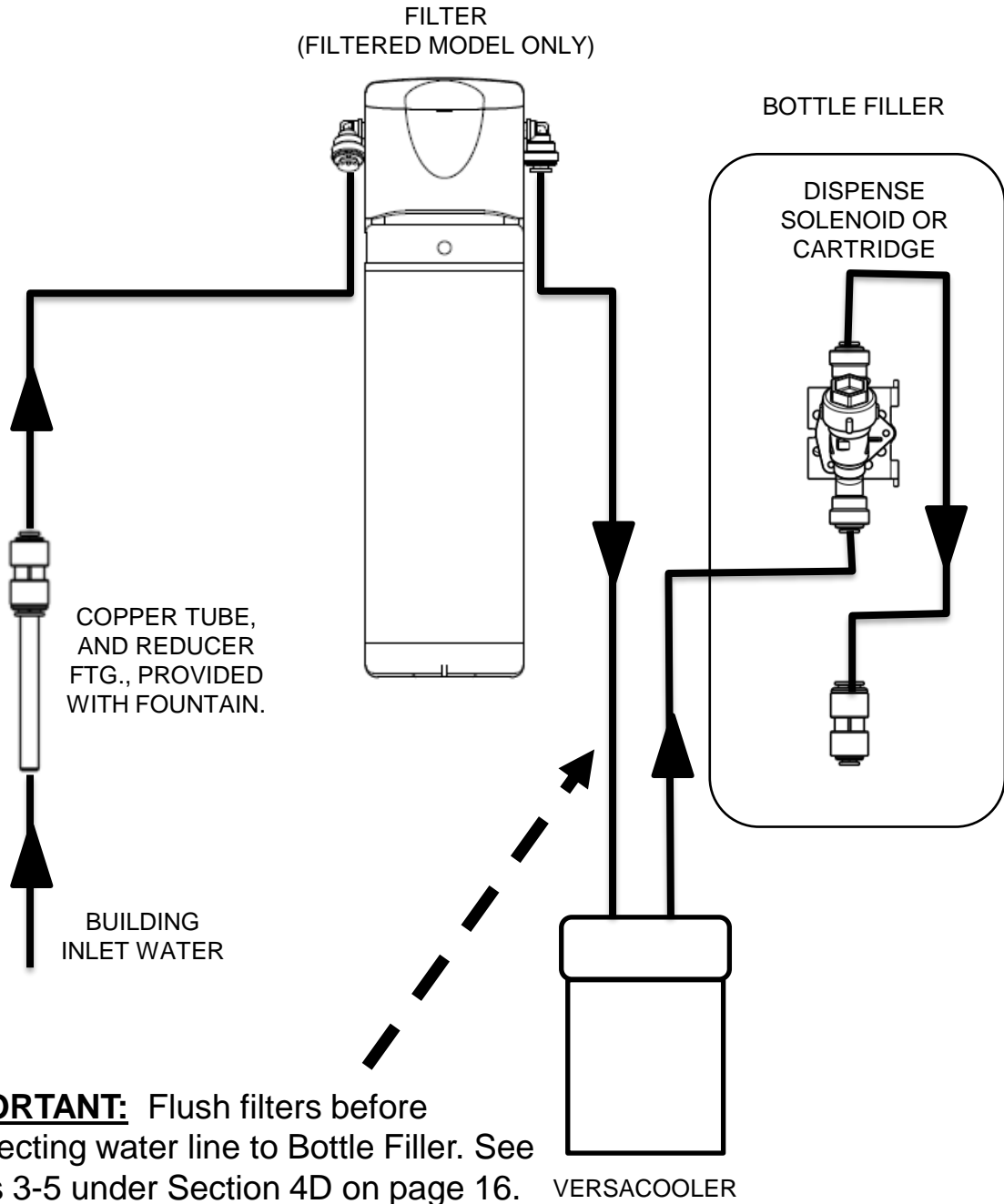
6. Using a step drill bit or 1-1/4" punch die, make a 1-1/4" hole through top. You may want to drill a pilot hole to get these started.
7. Install snap bushing into hole to protect tubing from being cut.



Mark this center point on the top. Remove the top from the cooler. Then create a 1 1/4" diameter hole through the top at the marked center point (step drill bit or punch die).



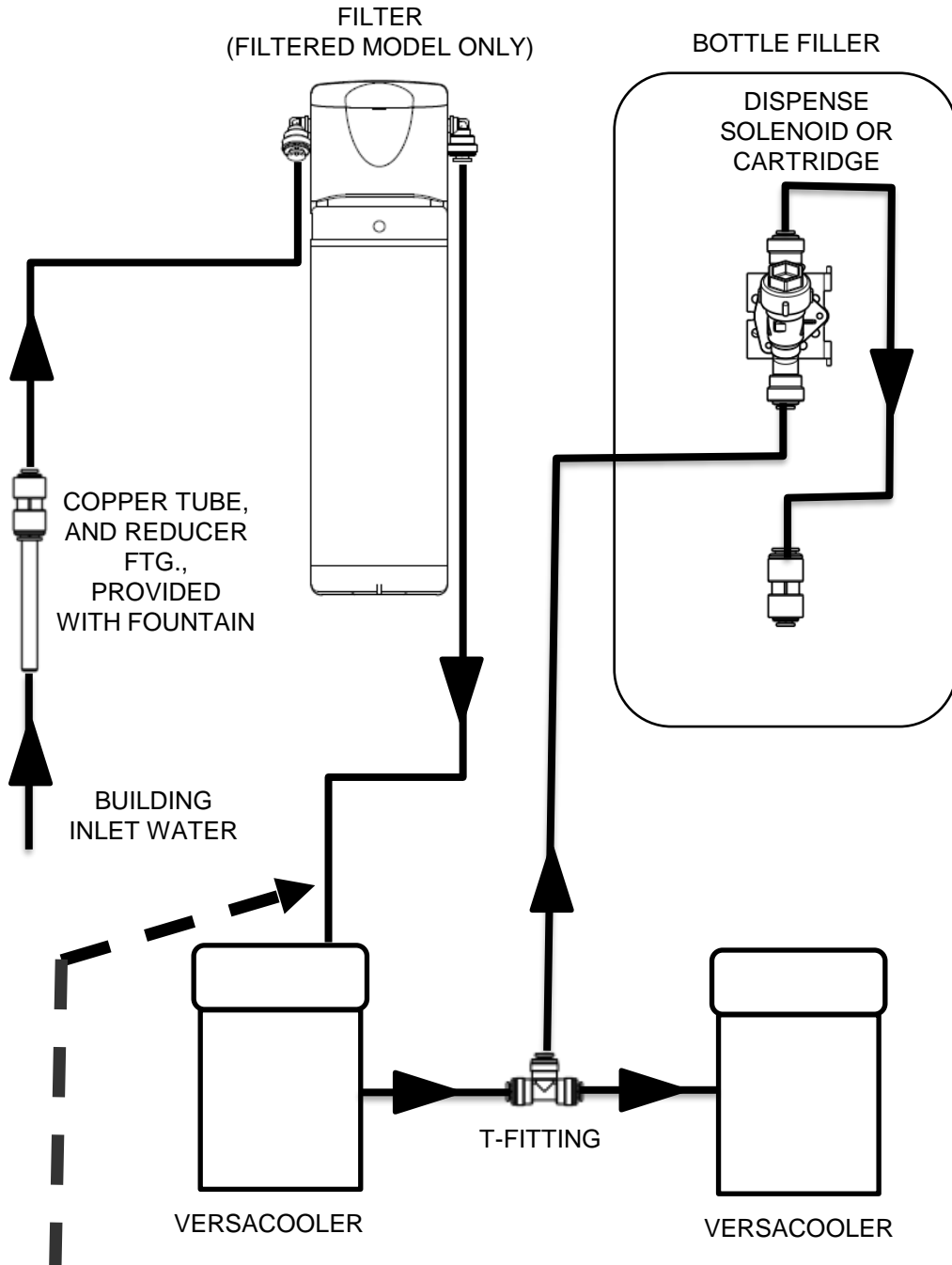
Versacooler to Bottle Filler Plumbing Diagram



IMPORTANT: Flush filters before connecting water line to Bottle Filler. See steps 3-5 under Section 4D on page 16.

VERSACOOOLER

Two Versacoolers to Bottle Filler Plumbing Diagram



IMPORTANT: Flush filters before connecting water line to Bottle Filler. See steps 3-5 under Section 4D on page 16.

B: Connecting the water line

Note: If you are retrofitting the Bottle Filler to an existing cooler, follow the instructions starting on page 11.

For the single “Bottle Filler ready” cooler, the tube to connect to the Bottle Filler is found inside the access panel (the compressor compartment) or found inside the Bottle Filler. This tube supplies cold water from the cooling tank to the Bottle Filler.

1/4" OD tube to connect
to Bottle Filler



For split level “Bottle Filler ready” coolers, the tube to plumb in the Bottle Filler is packaged in the dummy unit or found inside the Bottle Filler.

Remove tube from bag.



First, remove plug from
fitting on tank drain



Next, insert end of
tube into fitting.



The tee and tube to the Bottle Filler are packaged with the Bottle Filler unit. One branch of the tee will supply the valve on the dummy unit, the other branch of the tee will connect to the Bottle Filler.

Tube to connect valve on dummy unit



Tube to connect Bottle Filler



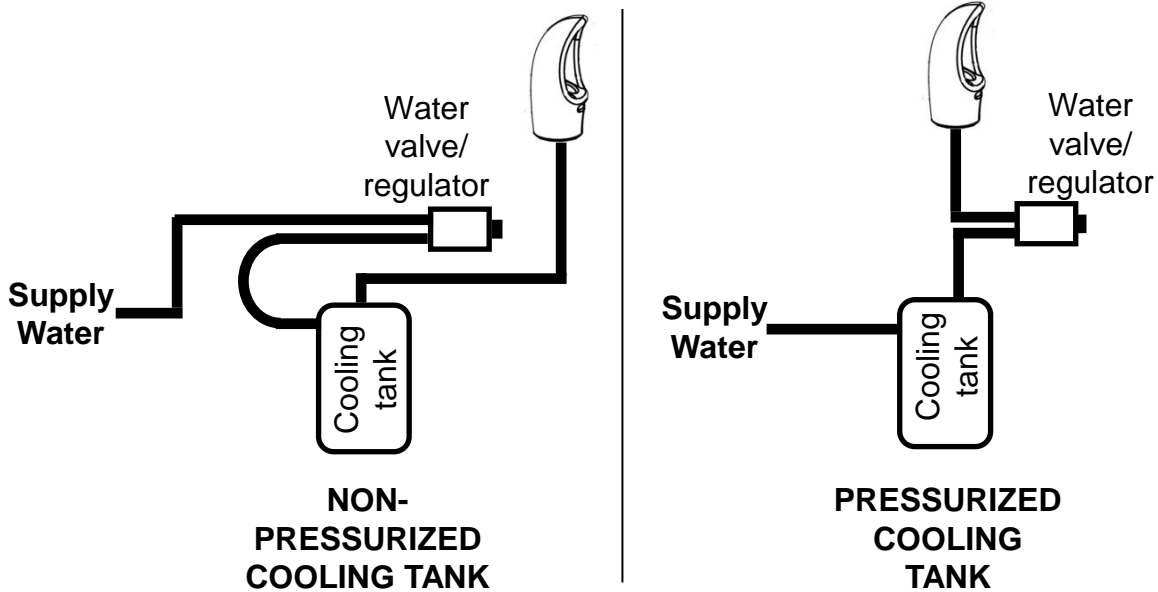
Tube to connect chilled water to dummy unit and Bottle Filler



Go to Step 5 “Final steps for both product families:”

To retrofit the Bottle Filler to an existing unit, follow the instructions below:

If the cooling tank is non-pressurized, then go to the “Pressurizing the cooling tank” addendum section. Otherwise, proceed to step 1 below. Non-pressurized units are single units made since December of 2009. Refer to the schematic below to identify the system that you have.



1. With the cooler top removed, find the tube going from the cooling tank outlet to the valve. The TEE fitting (supplied) will need to connect between the cooling tank and valve.

Outlet Tube
(insulated plastic)

P8AC family

PGV8 Family: Cartridge in a different location but connections will be identical.



Valve

Section 4B: Installation: Fountain Set-up

2. Disconnect tubing from the elbow on the valve.



3. Using the 38" piece of tubing provided, cut 6" and install it on the end of the TEE. Install the remaining tubing onto the branch of the TEE. Connect the other end of the TEE to the tank outlet tubing (tube that was disconnected from the elbow).



TEE

4. Route the TEE and tubing under the waste drain and connect the 6" length to the water valve elbow.



**Water
valve
elbow**

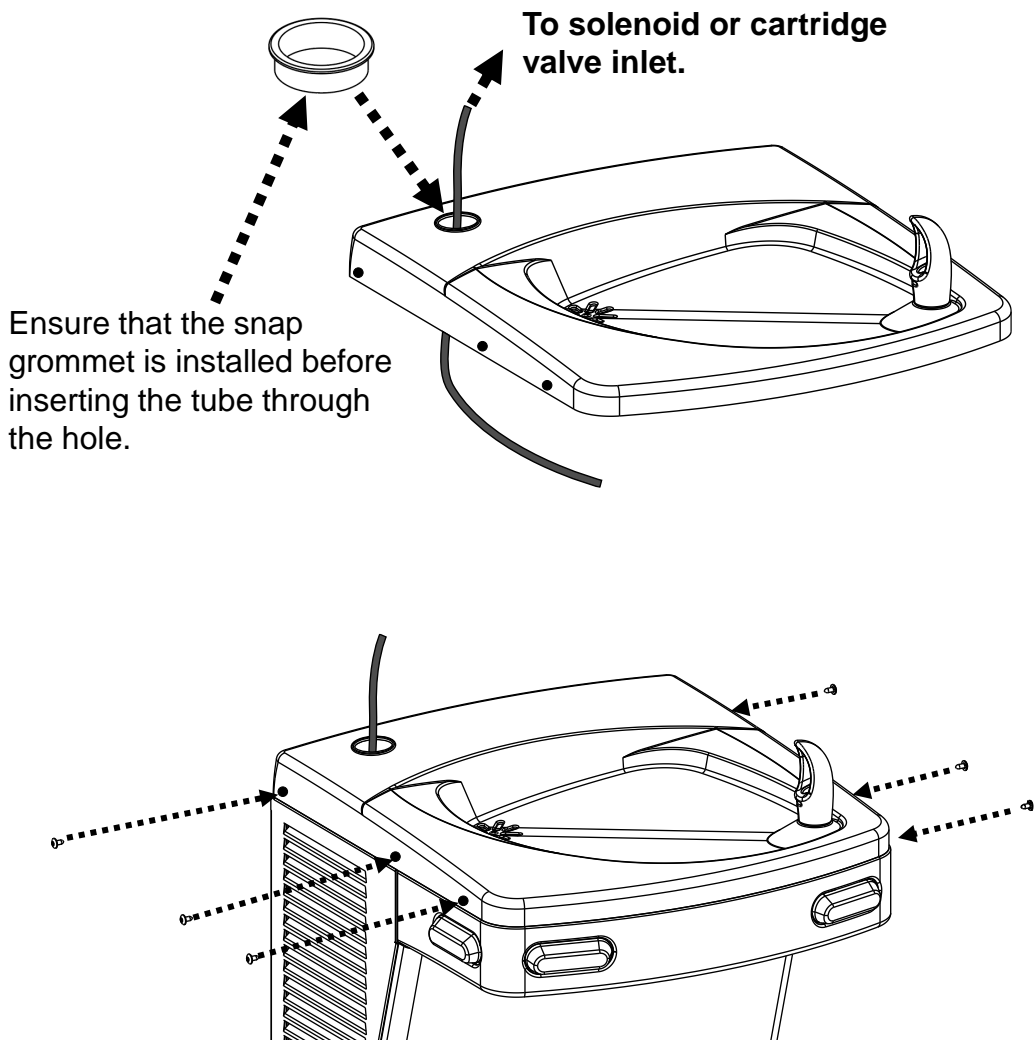
PGV8 Family: Cartridge in a different location but connections will be identical.

Go to Step 5 "Final steps for both product families:"

Section 4B: Installation: **Final steps for both product families:**

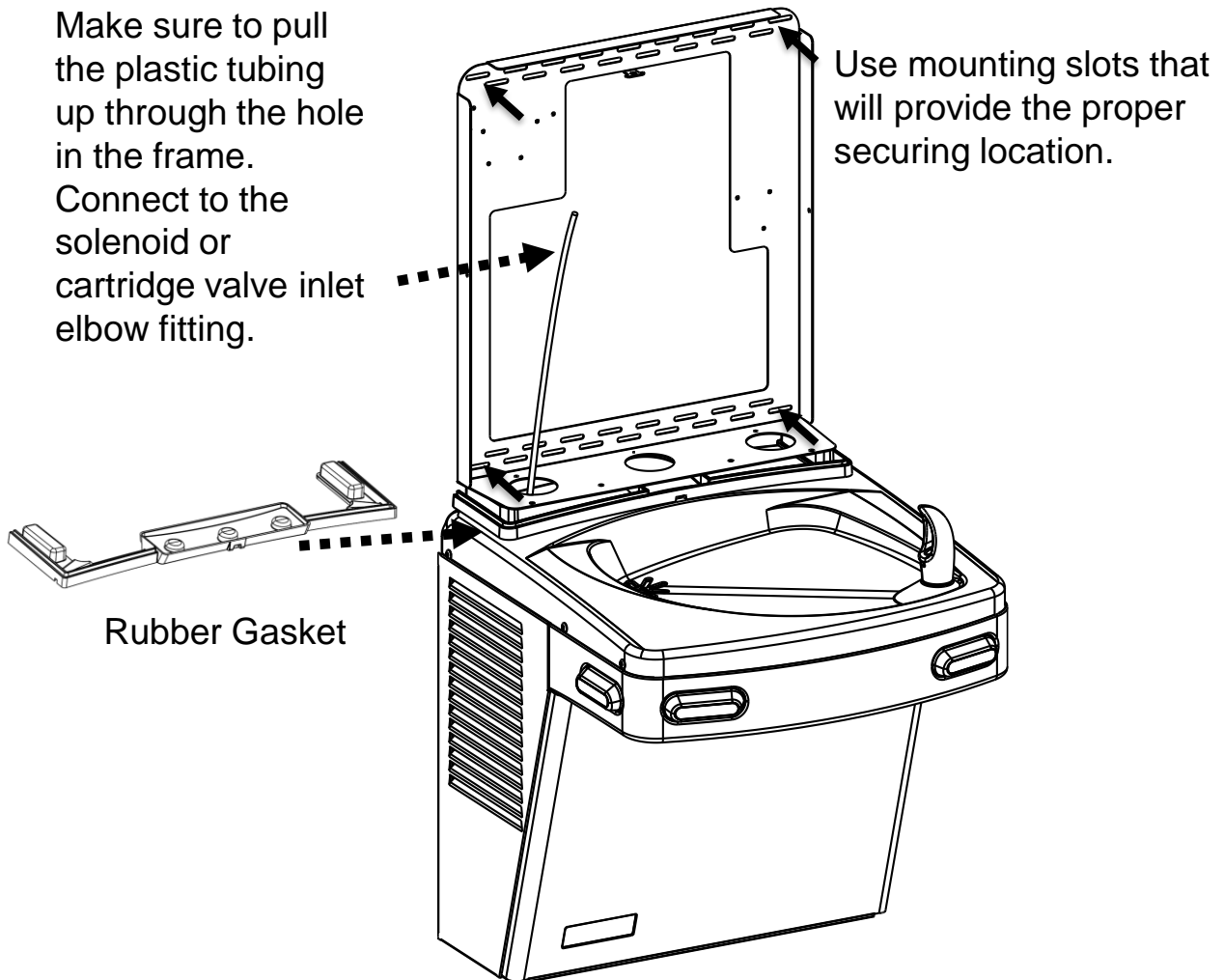
5. Feed the insulation and water tubing up through grommet in top.
 - For single unit, also feed white tube attached to tee through grommet.
 - For split level, connect tee and white tube packed with bottle.

Attach top to cooler.



C: Mounting the frame to the wall

1. Place rubber gasket on top of the cooler so it is centered left/right and against the wall.
2. Set the wall frame onto the gasket. Center it left/right and push it flat against the wall and mark hole locations for wall fasteners. The gasket will set the frame at the proper height.



3. Secure frame to the wall with fasteners (not provided). Pull plastic tubing up through the hole in the frame. 4 fasteners are recommended.

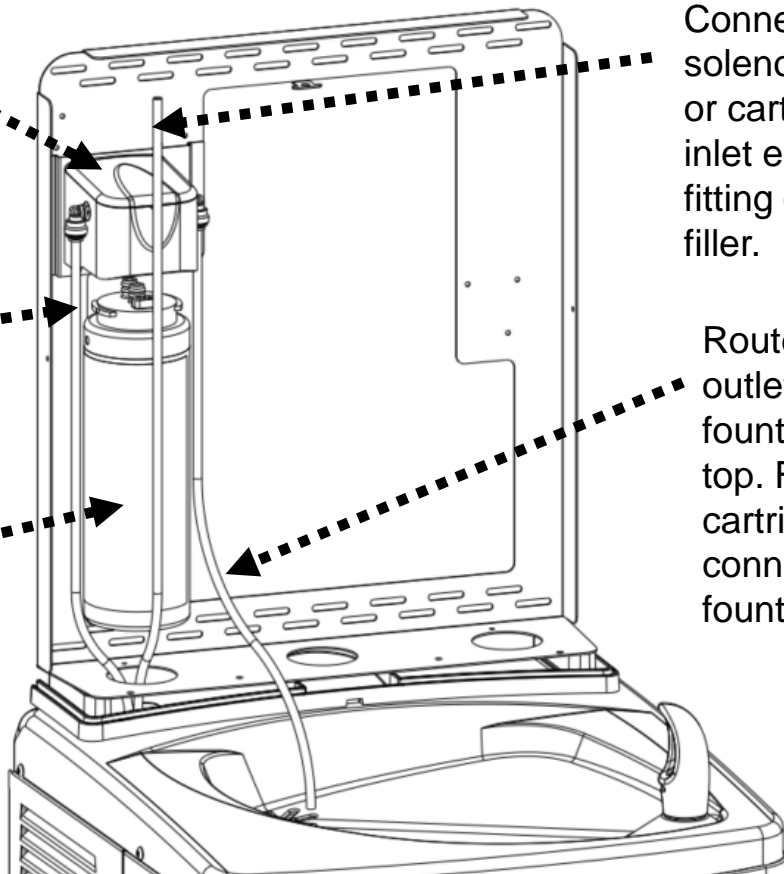
D: Installing and Flushing Filter Cartridge (FILTERED MODELS ONLY)

1. Insert filter cartridge, rotate $\frac{1}{4}$ turn until locked.
2. Route water supply plastic tube attached to filter head inlet (left side) through hole in frame and top. Connect to fountain water supply.
3. Route filter outlet tube attached filter head outlet (right side) to fountain drain in top. Flush filter cartridge before connecting to fountain cooling tank inlet fitting.
4. Turn ON the water supply and flush the filter per filter instructions.
5. Connect the filter outlet tube to cooling tank inlet.

Filter Head Assembly

Route water supply plastic tube through hole in frame and hole in top. Connect to fountain water supply.

Filter Cartridge

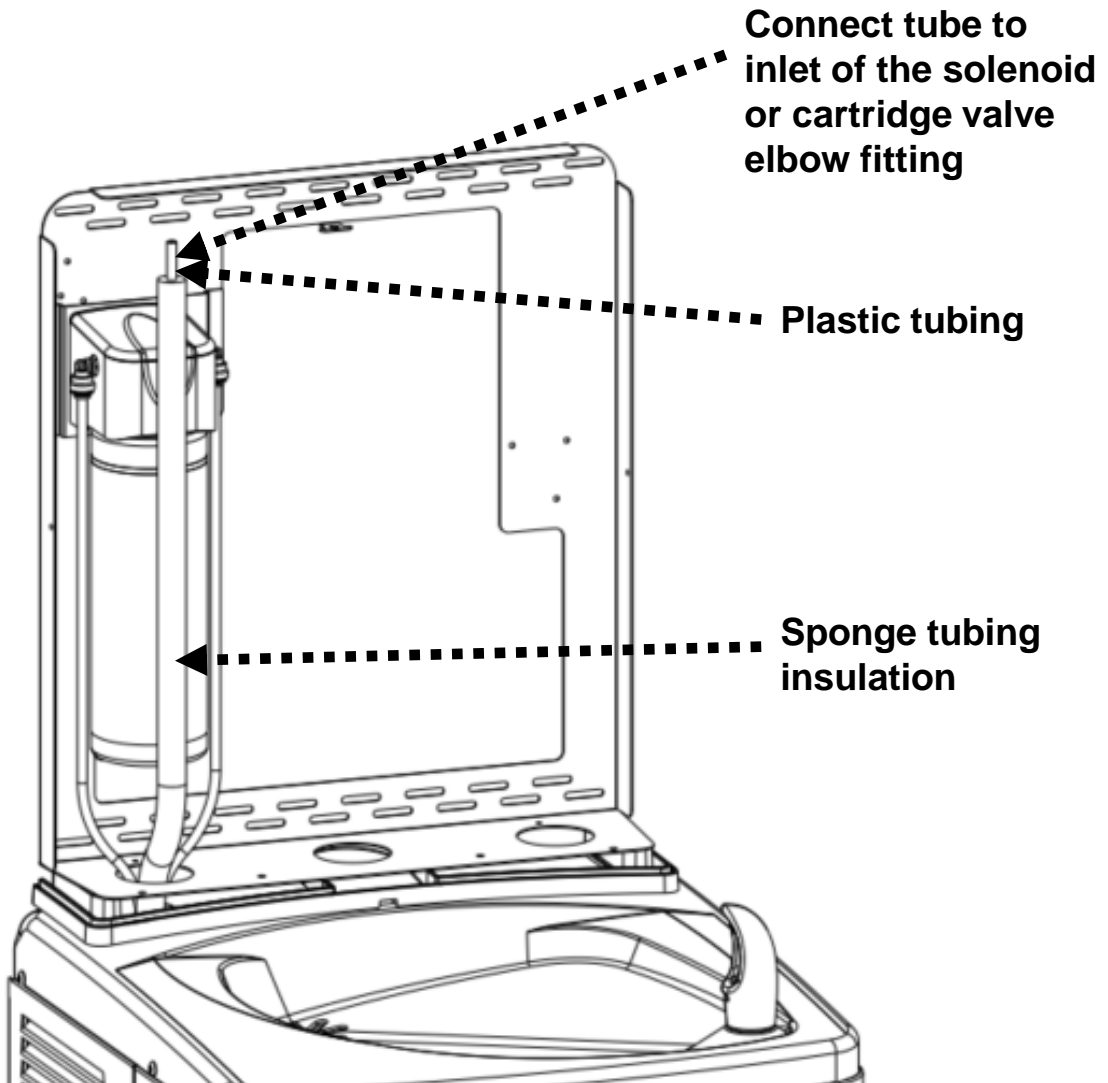


Connects to the solenoid valve or cartridge inlet elbow fitting on bottle filler.

Route filter outlet tube to fountain drain in top. Flush filter cartridge before connecting to fountain inlet.

Section 4E: Installation

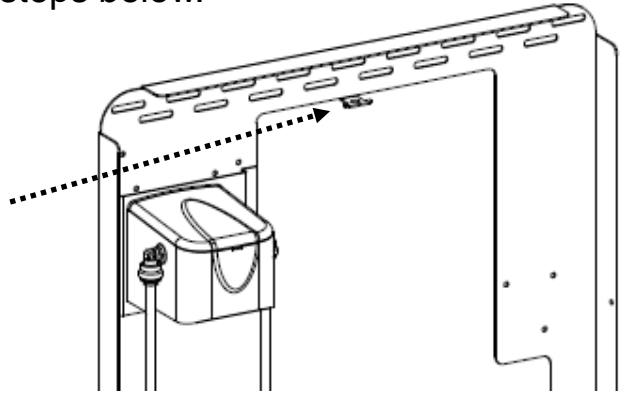
1. Slide sponge tubing insulation over water line. Connect the tubing to the INLET of the solenoid or cartridge valve elbow fitting on the back of the Vandal Resistant Bottle Filler assembly.



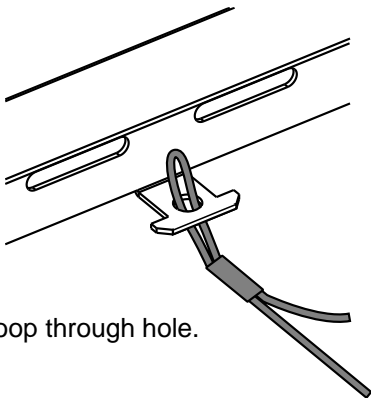
E: Attaching the Tether

2. Install bottle filler tether with the steps below.

Attach the tether line assembled to the bottle filler dispense bracket to the cleat on the mounting frame.

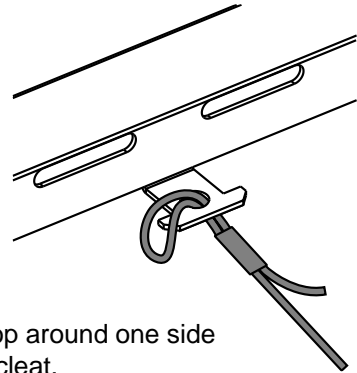


1.



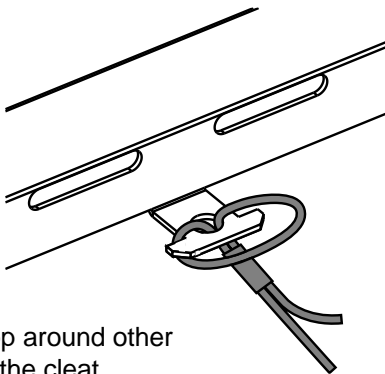
Push loop through hole.

2.



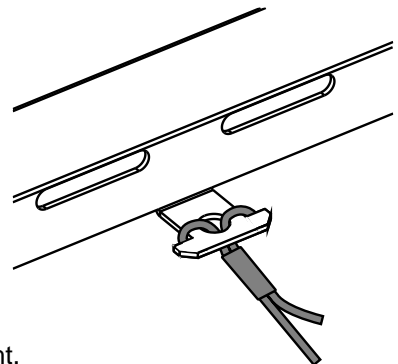
Put loop around one side of the cleat.

3.



Pull loop around other side of the cleat.

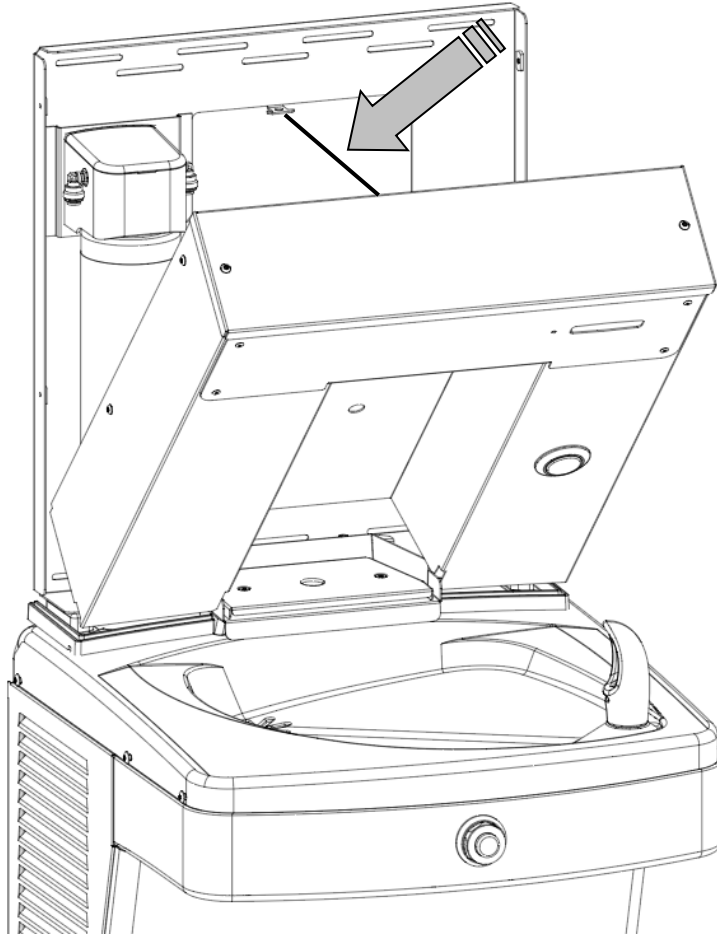
4.



Pull tight.

Section 4E: Installation

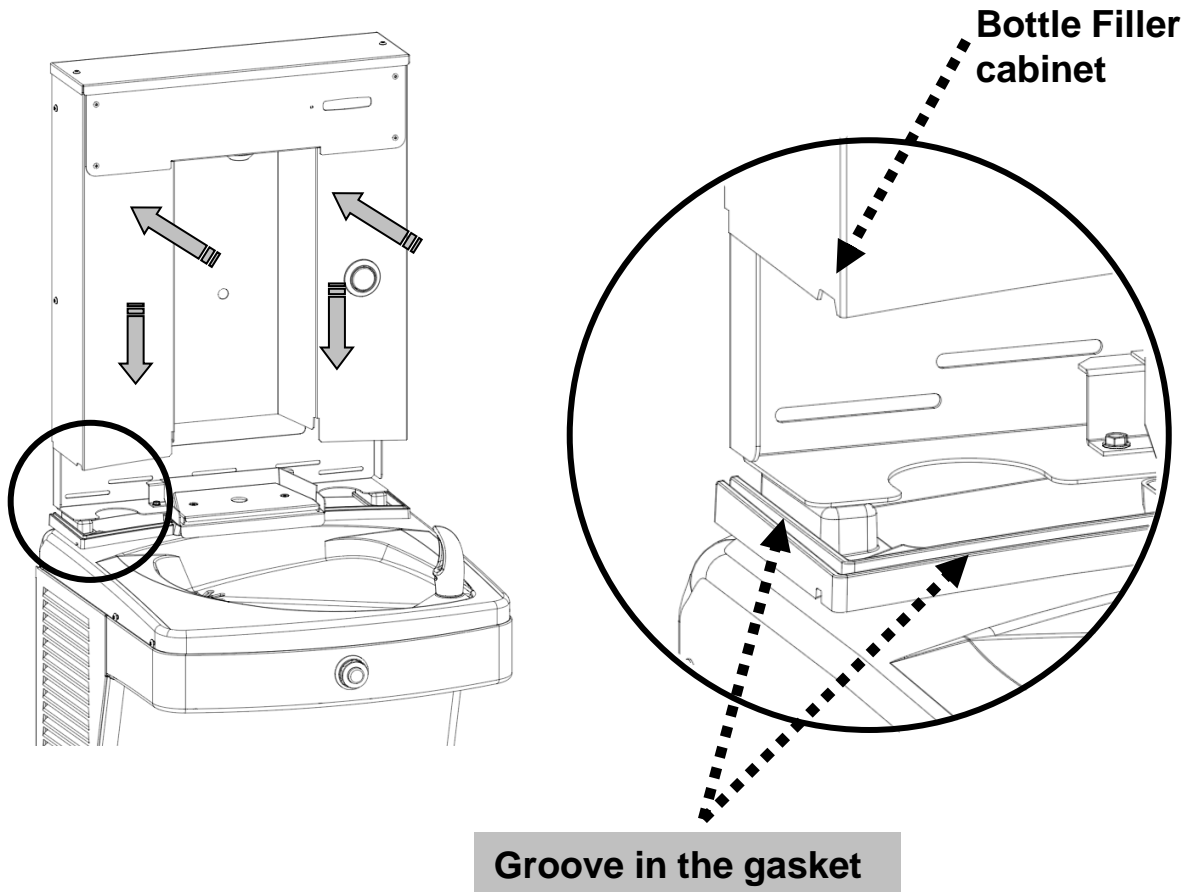
The tether keeps the bottle filler secured to the frame when changing the filter. Make sure the tether is installed properly to avoid accidental damage to the unit.



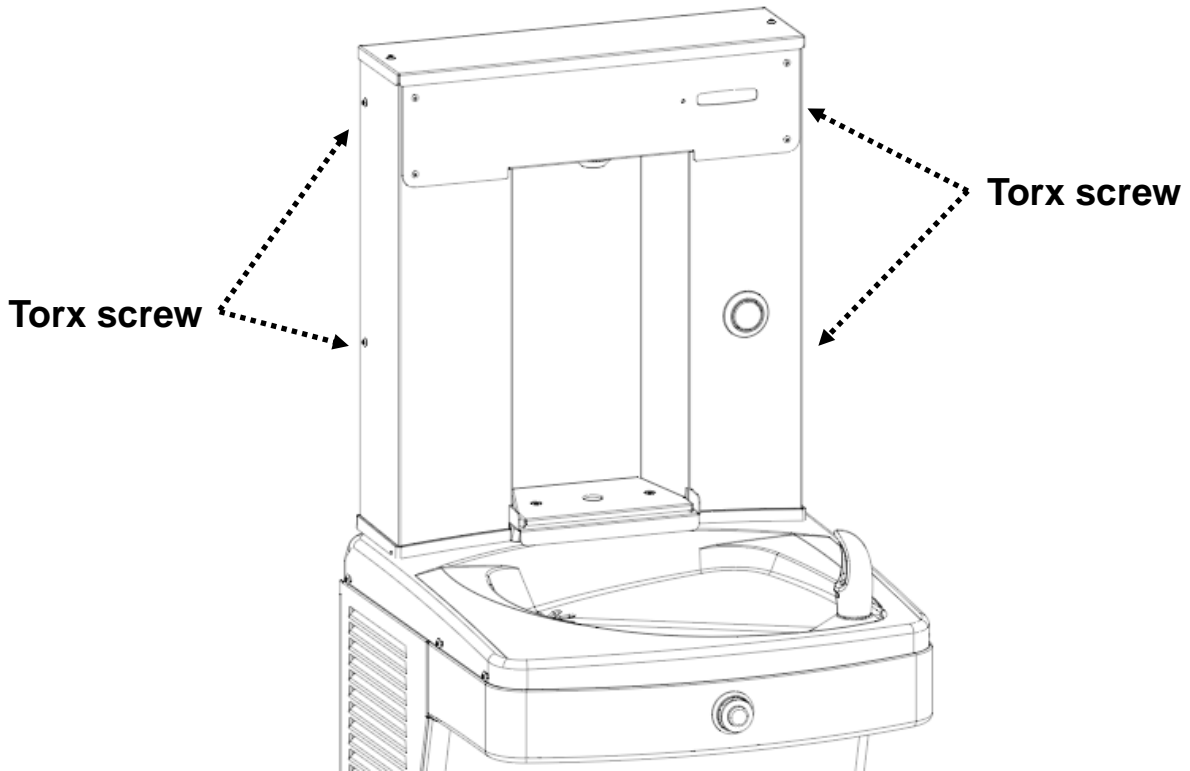
3. PW(F)SVBF Only: Before the Bottle Filler cabinet is set into place, feed the terminals on the power supply power cord and the long green ground wire through the bushing on the cooler top.
4. PW(F)SVBF Only: Connect male terminals on the bottle filler power supply to female terminals on power cord. Make sure that the power cord is firmly connected to the power supply.
5. PW(F)SVBF Only: Attach the long green ground wire to cooler power cord ground located on cooler frame or to electrical box ground.

Section 4E: Installation

6. MAKE SURE the cabinet fits into the groove in the rubber gasket on both sides and front of the wrapper.



See next page to secure Bottle Filler assembly to frame with torx screws.



7. Attach Bottle Filler assembly to the frame using 4x tamper resistant T15 screws. If you are going to change the electronics default settings, remove the Top Cap and 2x tamper resistant T15 screws.
8. Plug bottle filler cord into the electrical outlet. NOTE: The bottle filler program should be set up specific for that installation and for any filters utilized. Refer to "Set-Up Guide for Oasis Hands-Free Bottle Filler." Access programming Pushbutton through top of Bottle Filler.
9. Turn ON water supply and check for leaks. Place a container in the alcove to release any trapped air from the system. Plug in the cooler power cord and replace the front panel.
10. If everything works correctly, place the Top Cap back on the Bottle Filler and the 2x tamper resistant torx screws to fasten it in place.

INSTALLATION COMPLETE

Addendum Section: Pressurizing Cooling Tank



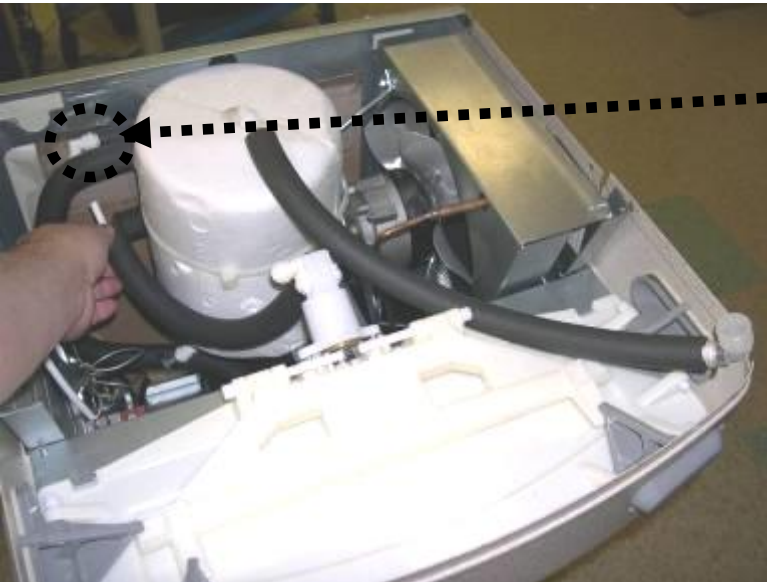
The water should already be turned OFF and the power disconnected.

Unit as it appears with top removed



STEP 1

Unplug un-insulated water line from water valve inlet (quick-connect elbow located left side of water valve facing the front of the cooler). Set tubing aside (careful to not contaminate water contact end).



STEP 2

Unplug tubing from quick-connect elbow leading to cooling tank inlet.



STEP 3

Plug un-insulated tubing that was removed in step 1 into quick-connect elbow leading to the cooling tank from step 2.



STEP 4

Unplug tubing that is connected to the water valve outlet (quick-connect elbow located on the right side of valve facing the cooler).

PGV8 Family: Cartridge in a different location but connections will be identical.



STEP 5

Connect tubing from step 4 to quick-connect elbow on the left side of the valve.



Step 6

Unplug quick-connect tubing from the cooling tank outlet. Do not set it down.



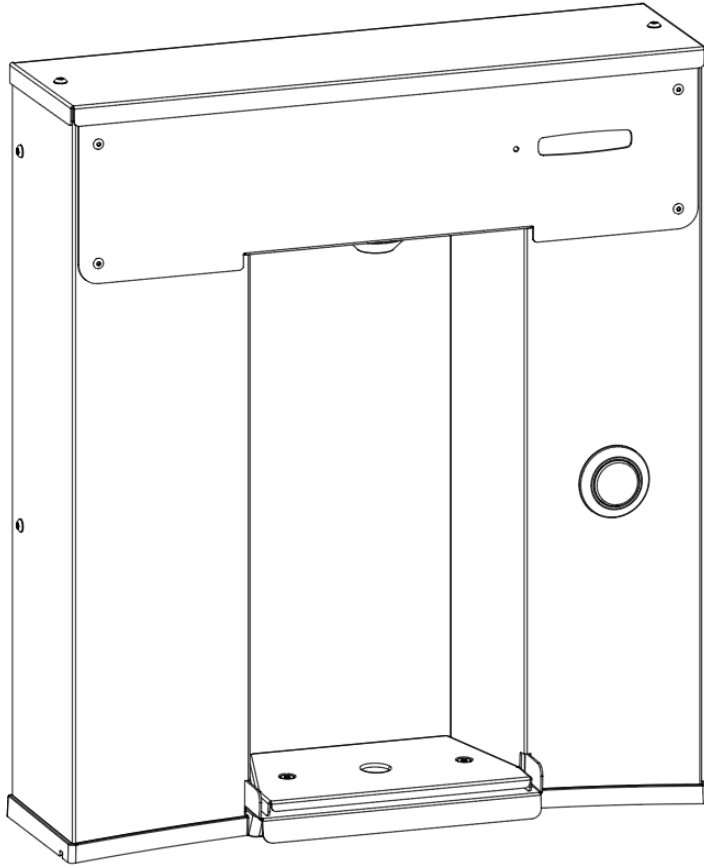
Step 7

Using tubing removed in step 6, plug into quick-connect elbow on the right side of the valve. (be sure to route the tubing under existing tubing installed in step 4 as shown)



Step 8

Using tubing that is connected to the quick-connect elbow left side of valve (done in step 4), and plug the other end into the quick-connect fitting at the top of the cooling tank.



P/N 030099-726, Date: 07/2024

© 2024 LVD Acquisition, LLC

Oasis, Aqua Pointe, Versacooler and VersaFiller are registered trademarks of LVD Acquisition, LLC dba Oasis International



OASIS INTERNATIONAL
222 East Campus View Blvd.
Columbus, OH 43235
614-861-1350
www.oasiscoolers.com