



14 GAUGE VANDAL RESISTANT VERSACOOLER® II WITH CONTACTLESS VERSAFILLER® BOTTLE FILLER

• **PGV8EBF-14G** • **PGVEBF-14G**

Suggested Specification

Model PGV8EBF-14G shall deliver 8.0 gph of 50°F water at 90°F ambient and 80°F inlet water per ASHRAE 18 testing*. Model PGVEBF-14G is a non-refrigerated model and delivers ambient drinking water. Shall include the VersaFiller® with contactless activation and laminar flow. Bottle filler alcove and cabinet finish shall be stainless steel. Key VersaFiller components contain Freshield, which utilizes a silver-based antimicrobial compound to protect the surfaces from discoloration, odors and degradation caused by the growth of micro-organisms and mildew. Cabinet & basin shall be 14 gauge stainless steel, with a heavy duty galvanized frame, with galvanized steel screens to prevent objects from being inserted into ventilation panels or underside of unit. Unit shall include a single vandal resistant push button to activate the flow of water. Basin shall be designed to eliminate splashing and standing water. One-Piece low flow vandal resistant chrome plated solid construction bubbler keyed into place to prevent vandalism. Water saver bubbler to reduce waste water by 50% and shall have flexible guard and operate between 20 and 100 PSI. Shall use R-134a refrigerant. Shall comply with ANSI 117.1 and ADA. Shall be listed by Underwriters Laboratories to US and Canadian standards, and comply with NSF/ANSI 61 and NSF/ANSI 372.



| | PGV8EBF-14G | PGVEBF-14G |
|------------------|--|------------|
| Features: | <ul style="list-style-type: none"> Built-in 100 micron strainer stops particles before they enter the waterway Waterways are lead-free in materials & construction 14 gauge stainless steel construction One-piece vandal resistant water saver bubbler keyed into position Vandal resistant fasteners Galvanized steel louver and bottom screens High efficiency cooling system Vandal resistant mechanical front push button Contactless activation bottle filler with programmable auto shut off Ample space within the bottle filler cabinet to add filtration, including all OASIS filters Includes integral self-scouring waste drain External access to stream height adjustment on Versacooler fountain External access to thermostat with tool activated OFF position Built-in filter monitor and bottle counter Logos permanently formed into the alcove and stainless steel wrapper LED lighted alcove Mechanical activation on the fountain | |

| | | |
|-------------------------------|---|------------------|
| Filtration: | Option to add filtration | |
| Power: | 115 Volts, 60 Hz | |
| Activation By: | Contactless Sensor on Bottle Filler and Manual Activation on Fountain | |
| Mounting Type: | Wall Mounted | |
| Chilling Option: | 8.0 gph* | Non-refrigerated |
| Full Load Amps: | 5.5 amps | 0 |
| Rated Watts: | 550 | 0 |
| Approx. Net Weight | 71 lbs. | 41 lbs. |
| Installation Location: | Indoor | |

MODEL: _____ QTY: _____
 PROJECT: _____
 CONTACT: _____
 NOTES: _____
 APPROVAL: _____ DATE: _____

Ships in one box.

Installation

- Prior to rough-in consult with local, state and federal codes for proper mounting height
- Shipped with complete instructions and wall mounting brackets
- Removable side and front panels provide easy access for installation.

Finishes

- Standard cabinet finish: Stainless steel

Limited 5-Year Warranty

(Continental limits of the United States and Canada) Five years on the sealed refrigeration system. Bottle fillers, fountains, and electrical components are warranted for 12 months. Detailed warranty certificate enclosed with each water cooler; sample available upon request.

Export Warranty

One year on components parts. Detailed warranty certificate enclosed with each drinking fountain; sample copy available upon request.

Certifications/Compliance

- Certified to UL 399 and CAN/CSA C22.2 No.120 (electric water coolers only)
- Product Certified to NSF/ANSI Standard 61-G & 372 and conforms with the lead content requirements for "Lead Free" plumbing as defined by California, Vermont, Maryland, and Louisiana state laws and the U.S. Safe Drinking Water Act
- These water coolers comply with the requirements of ADA (Americans with Disabilities Act) when properly installed



WARNING:
Cancer and Reproductive Harm
www.P65Warnings.ca.gov



*Industry standard rating condition at 90°F ambient, 80°F inlet water and 50°F drinking water temperature

Specifications subject to change without notice



14 GAUGE VANDAL RESISTANT VERSACOOLER® II WITH CONTACTLESS VERSAFILLER® BOTTLE FILLER

- **PGV8EBF-14G**
- **PGVEBF-14G**

Accessories



OASIS VersaFilter III Universal Kit

OASIS Item #041253-001

- Add filtration to the top of an OASIS bottle filler or fountain with the universal retrofit kit. Kit includes VersaFilter III certified to NSF/ANSI 42 and 53 for lead, Particulate Class I, chlorine, taste and odor reduction to 4,750 gallons.



OASIS VersaFilter III Replacement Cartridge

OASIS Item #041145-001

- VersaFilter III is Certified to NSF/ANSI 42 and 53 for lead, Particulate Class I, chlorine, taste and odor reduction to 4,750 gallons.

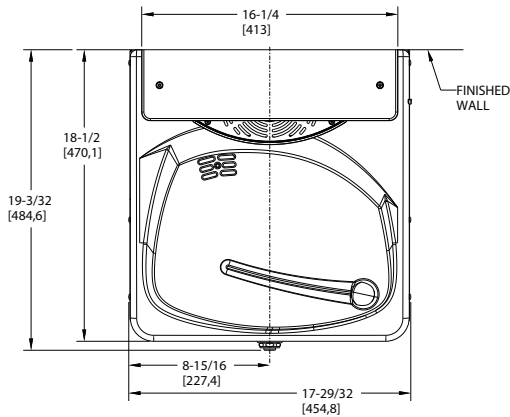


[View all filters and accessories](#)



14 GAUGE VANDAL RESISTANT VERSACOOLER® II WITH CONTACTLESS VERSAFILLER® BOTTLE FILLER

• **PGV8EBF-14G** • **PGVEBF-14G**



NOTES:

1. TRAP, STOP VALVE AND ELECTRICAL OUTLET NOT FURNISHED.
2. ALLOW 4 INCHES [102MM] MIN. PER SIDE FOR VENTILATION.
- *3. RECOMMENDED ADULT BARRIER FREE HEIGHT INSTALLATION SHOWN. REDUCE HEIGHT BY 3 INCHES FOR INSTALLATIONS USED PRIMARILY BY CHILDREN AGES 12 AND YOUNGER. UNIT SHALL ALSO HAVE A MINIMUM CLEAR FLOOR SPACE 30(760) BY 48(1220). ADJUST VERTICAL DIMENSIONS AS REQ'D TO COMPLY WITH FEDERAL, STATE, AND LOCAL CODES.
4. 115V GROUNDED NORTH AMERICAN DUPLEX RECEPTICAL REQUIRED. THIS DRINKING WATER COOLER IS INTENDED TO BE CONNECTED TO A 20A MINIMUM GROUND FAULT CIRCUIT INTERRUPTING (GFCI) DEVICE TO MEET UL REQUIREMENTS.
5. ALL DIMENSIONS ARE IN INCHES. DIMENSIONS IN BRACKETS [] ARE IN MILLIMETERS.
6. ROUGH-IN DRAWING IS SHOWN WITH A PGV8AC UNIT IN ORDER TO SHOW THE PROPER HEIGHT OF THE UNIT WHEN RETROFITTED TO THE PARENT UNIT AND HEIGHT FROM THE FLOOR IN ORDER TO COMPLY WITH ADA STANDARDS. THE PGV8AC UNIT IS NOT INCLUDED WITH THE PURCHASE OF THE PW(F)EBF.

