



PHARMACEUTICALS FILTRATION SYSTEM, PRESSURE

The Pharmaceutical filter reduces over 12 pharmaceuticals and compounds including DEET, BPA, hormones, and NSAIDs - ideal for water cooler applications, whether installed in a drinking fountain or in the top of OASIS bottle fillers.

The Pharmaceutical filter is certified to NSF/ANSI 42 for the reduction of Chlorine, Taste and Odor and Particulate Class I; NSF/ANSI 53 for the reduction of Cyst and Lead; and NSF/ANSI 401 for the reduction of Microplastics, and pharmaceuticals specified below.

Filter head supplied with 1/4" OD quick connect fittings for convenient connection to cooler using 1/4" OD tubing.

Features:	<ul style="list-style-type: none"> Improves the taste and appearance of drinking water Water filtration to reduce turbidity, dirt, rust, sediment, and to inhibit scale and corrosion Automatic shut-off valve inside the head engages as filter is inserted or removed Uses the same filter head as the VersaFilter III System, allowing for easy filter cartridge replacement. For cold water supply line only
	<ul style="list-style-type: none"> NSF/ANSI 42 for reduction of Chlorine, Taste, Odor and Particulate Class 1 NSF/ANSI 53 for reduction of Lead and Cysts NSF/ANSI 401 for the reduction of Microplastics, Atenolol, Bisphenol A, Carbamazepine, DEET (diethyltoluamide), Estrone, Ibuprofen, Meprobamate, Metolachlor, Naproxen, Nonyl phenol, Phenytoin and Trimethoprim
	Temp: 35°F (2°C) to 100°F (38°C)
	Flow Rate: 1.50 gpm (5.68 Lpm)
	Pressure: 20 psi (1.4 bar) to 125 psi (8.6 bar)
Capacity: 725 gals (2,744L)	
Service Life: 12 months	
Sediment: Down to nominal 0.5 micron	
Function: Mechanical/Chemical Filtration	
Installation Location: For indoor use only	



Installation

- Rotate 1/4 turn right or left for installation or removal
- Universal kit shipped with complete instructions and mounting bracket.

Accessories

- Replacement Cartridge: #041670-001
- Filter Head: #041146-001
- Universal Pharmaceutical Filter Kit, Pressure: #041253-006

Certifications/Compliance

- NSF/ANSI 42, 53, 401 and 372

Systems certified for cyst reduction may be used on disinfected water that may contain filterable cysts. Do not use with water that is microbiologically unsafe or of unknown quality without adequate disinfection before or after the system.

MODEL: _____ QTY: _____

PROJECT: _____

CONTACT: _____

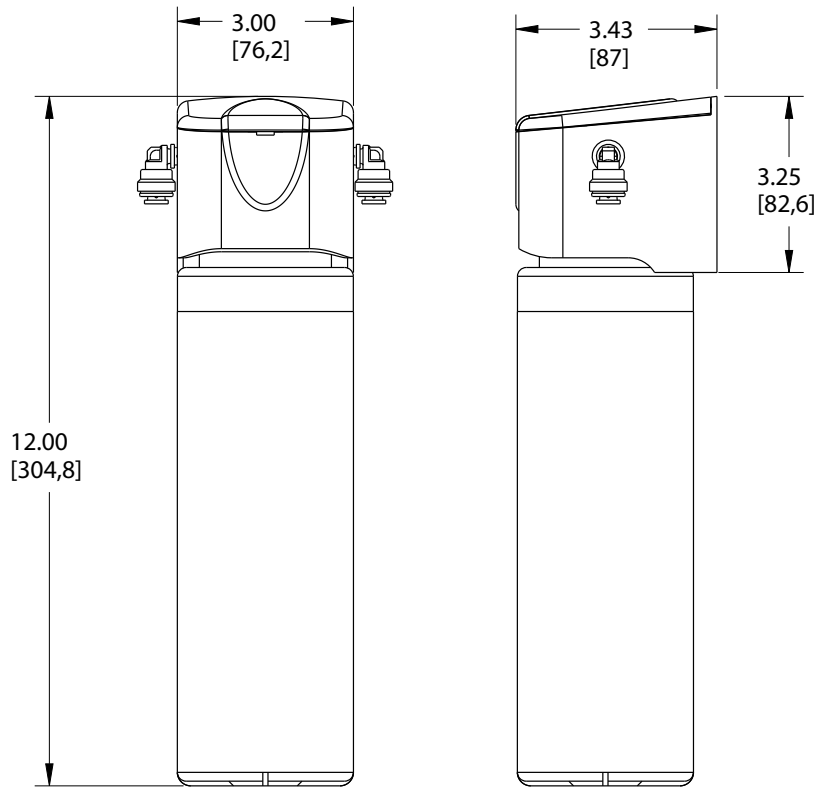
NOTES: _____

APPROVAL: _____ DATE: _____

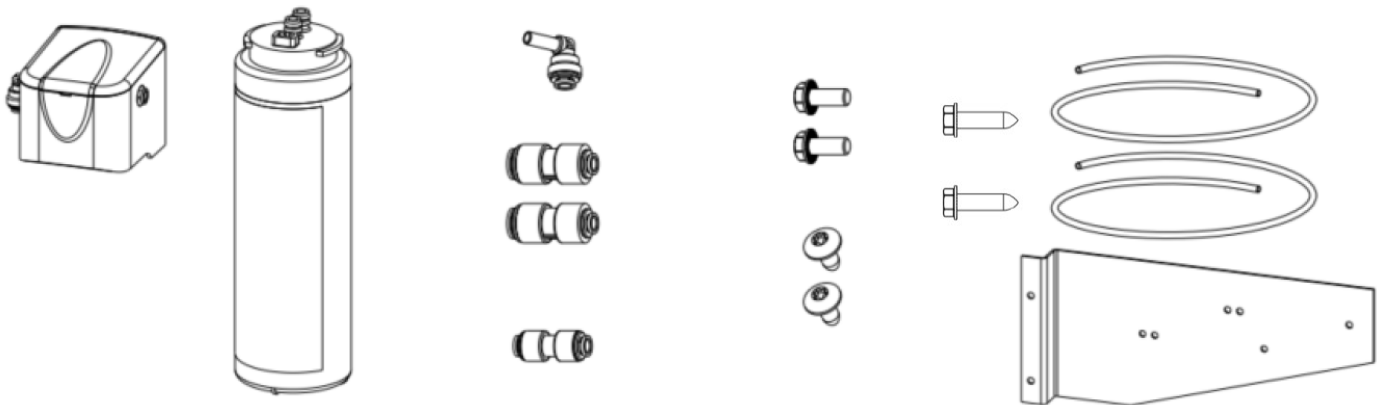


Specifications subject to change without notice

Pharmaceuticals Filter Head and Cartridge:



Universal Pharmaceuticals Filter Kit, Pressure Includes:



1. Filter Head Assembly with one Quick-Connect Elbow Fitting

2. Pharmaceuticals Cartridge

3. 1/4" OD Quick-Connect Elbow Fitting

4. 3/8" OD x 1/4" OD Quick-Connect Reducing Union (Qty. 2) (If applicable)

5. 1/4" OD Quick-Connect (If applicable)

6. #8 x 3/8" Long Hex Head Tapping Blunt Screw (Qty. 2)

7. #8 x 3/8" Long T15 Torx Truss Head Tapping Screw (Qty. 2)

8. #8 x 5/8" Long Hex Head Self-Drilling Screw (Qty. 2) - for Bottle Filler Installation

9. 1/4" OD x 38" Long White Plastic Tubing (Qty. 2)

10. Filter Mounting Bracket