



VERSAFILTER III FILTRATION SYSTEM, PRESSURE

The VersaFilter III's small footprint and high capacity design makes it ideal for water cooler applications, whether installed in a drinking fountain or in the top of OASIS bottle fillers.

VersaFilter III is certified to NSF/ANSI 42 for the reduction of Chlorine, Taste and Odor and Particulate Class I; NSF/ANSI 53 for the reduction of Cyst and Lead and NSF/ANSI 401 for the reduction of Microplastics.

Filter head supplied with 1/4" OD quick connect fittings for convenient connection to cooler using 1/4" OD tubing.

Features:	<ul style="list-style-type: none"> Improves the taste and appearance of drinking water Provides water that is virtually free of sediment, dirt and rust High dirt-holding capacity reduces the number of filter changes per year Inhibits the build-up of scale and corrosion Automatic shut-off valve inside the head engages as filter is inserted or removed For cold water supply line only
Certified Claims:	<ul style="list-style-type: none"> NSF/ANSI 42 for reduction of Chlorine, Taste, Odor and Particulate Class I NSF/ANSI 53 for reduction of Lead and Cysts NSF/ANSI 401 for the reduction of Microplastics
Temperature:	35°F (2°C) to 100°F (38°C)
Flow Rate:	1.50 gpm (5.68 Lpm)
Pressure:	20 psi (1.4 bar) to 125 psi (8.6 bar)
Capacity:	4,750 gals (17,980L)
Service Life:	12 months
Sediment:	Down to nominal 0.5 micron
Function:	Mechanical/Chemical Filtration
Installation Location:	For indoor use only

Systems certified for cyst reduction may be used on disinfected water that may contain filterable cysts. Do not use with water that is microbiologically unsafe or of unknown quality without adequate disinfection before or after the system.



Installation

- Rotate 1/4 turn right or left for installation or removal
- Universal kit shipped with complete instructions and mounting bracket.

Accessories

- Replacement Cartridge: #041145-001
- Filter Head: #041146-001
- Universal VersaFilter III Filter Kit, Pressure: #041253-001

Certifications/Compliance

- NSF/ANSI 42, 53, 401 and 372

MODEL: _____ QTY: _____

PROJECT: _____

CONTACT: _____

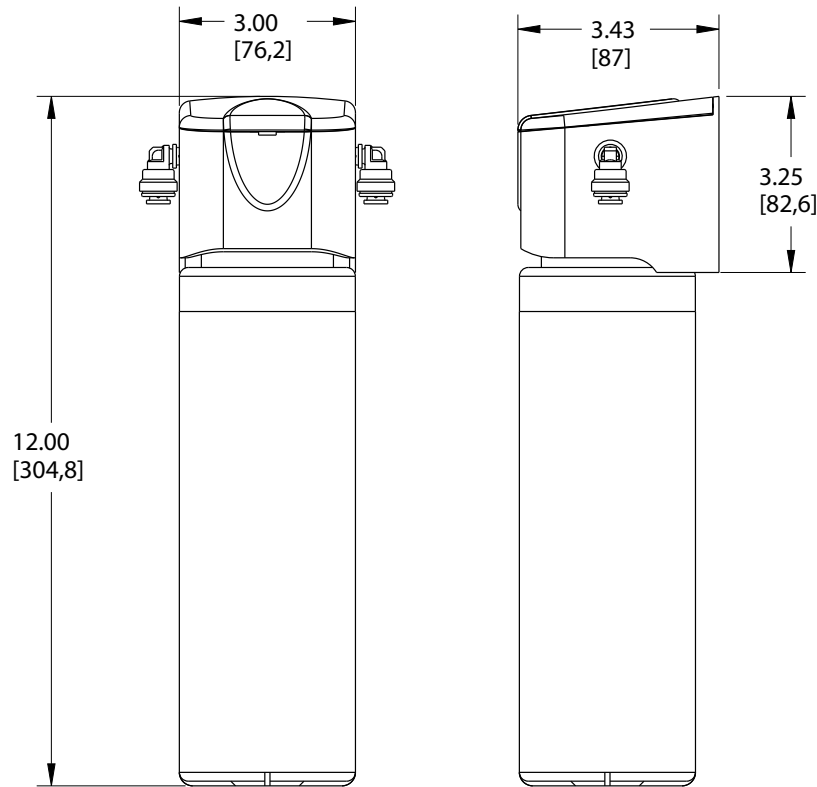
NOTES: _____

APPROVAL: _____ DATE: _____

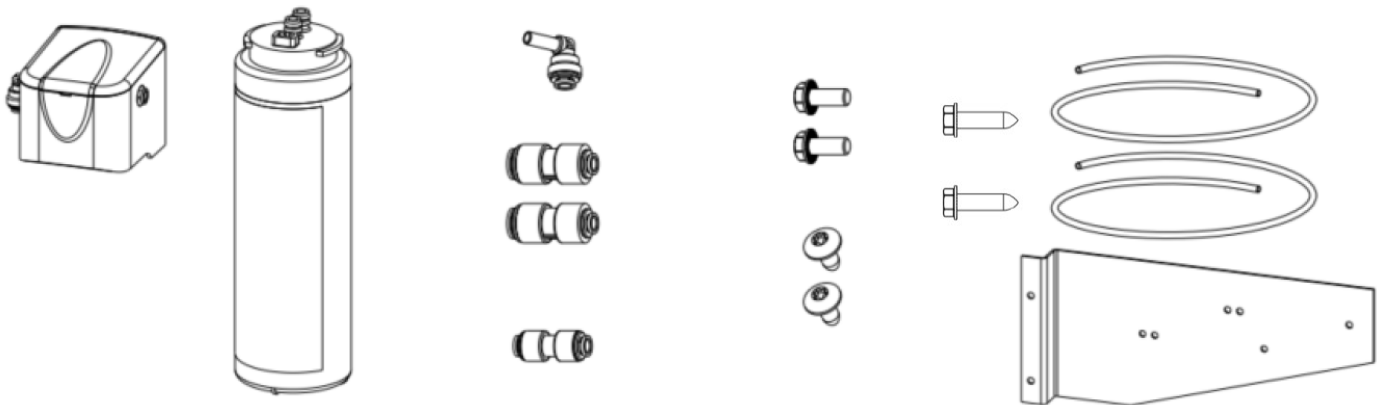


Specifications subject to change without notice

VersaFilter III Filter Head and Cartridge:



Universal VersaFilter III Filter Kit, Pressure Includes:



1. Filter Head Assembly with one Quick-Connect Elbow Fitting

2. Versafilter III Cartridge

3. 1/4" OD Quick-Connect Elbow Fitting

4. 3/8" OD x 1/4" OD Quick-Connect Reducing Union (Qty. 2) (If applicable)

5. 1/4" OD Quick-Connect (If applicable)

6. #8 x 3/8" Long Hex Head Tapping Blunt Screw (Qty. 2)

7. #8 x 3/8" Long T15 Torx Truss Head Tapping Screw (Qty. 2)

8. #8 x 5/8" Long Hex Head Self-Drilling Screw (Qty. 2) - for Bottle Filler Installation

9. 1/4" OD x 38" Long White Plastic Tubing (Qty. 2)

10. Filter Mounting Bracket